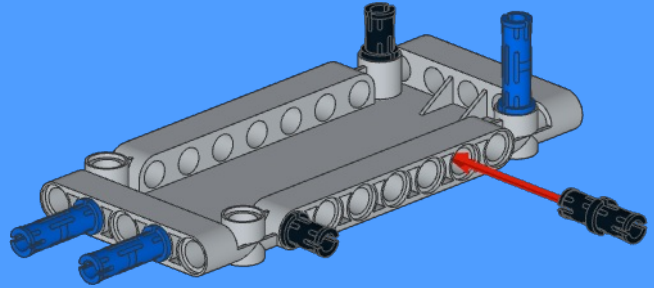
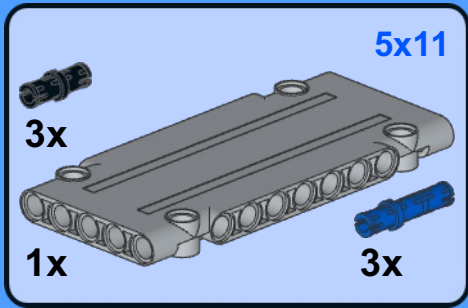


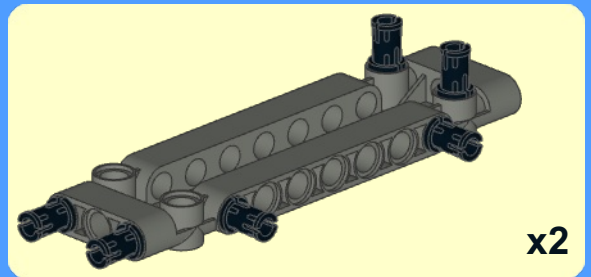
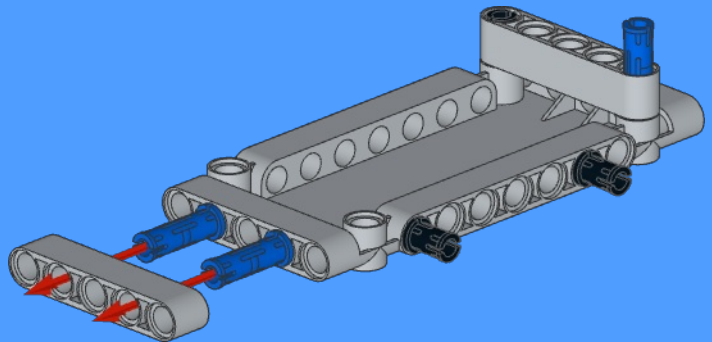
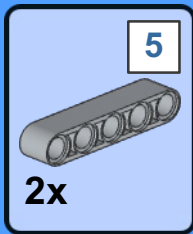
klust3r

A Lego Mindstorms sorting machine for peanut M&M'S

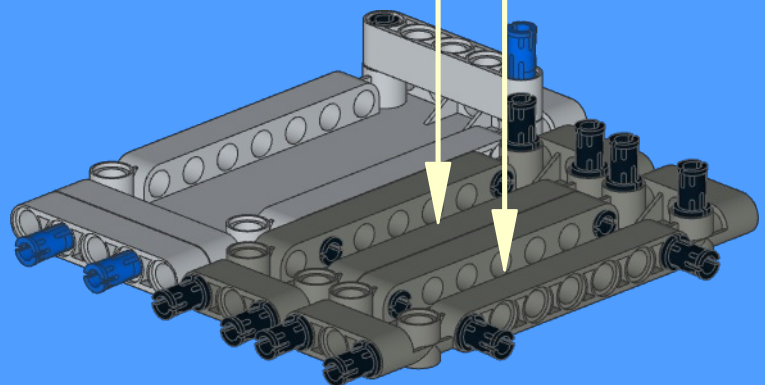
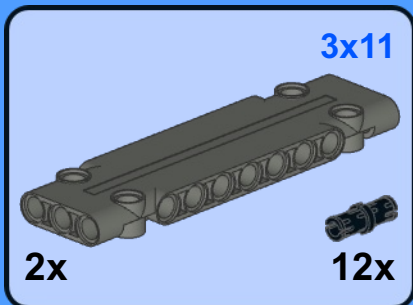
1



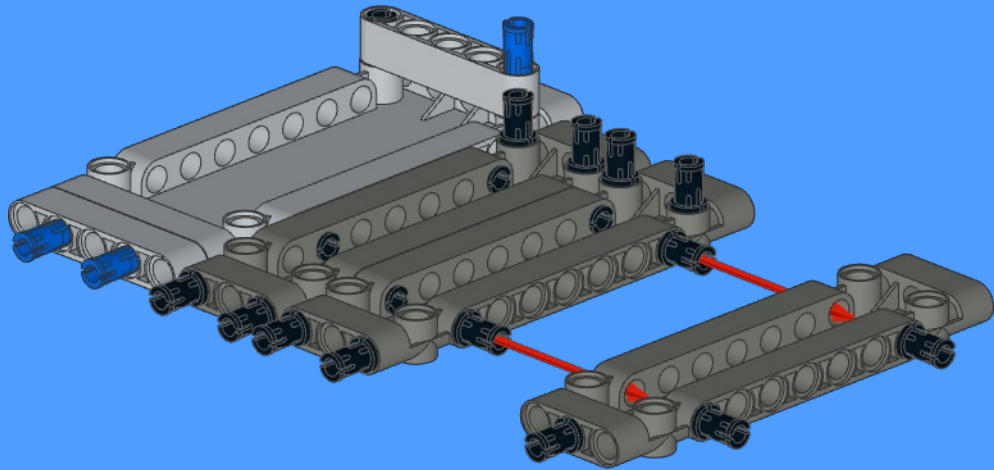
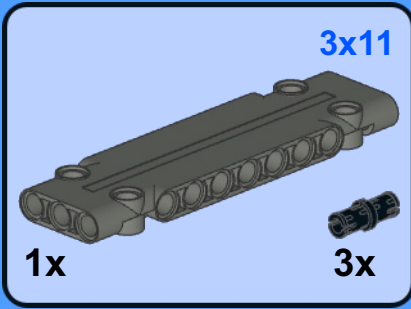
2



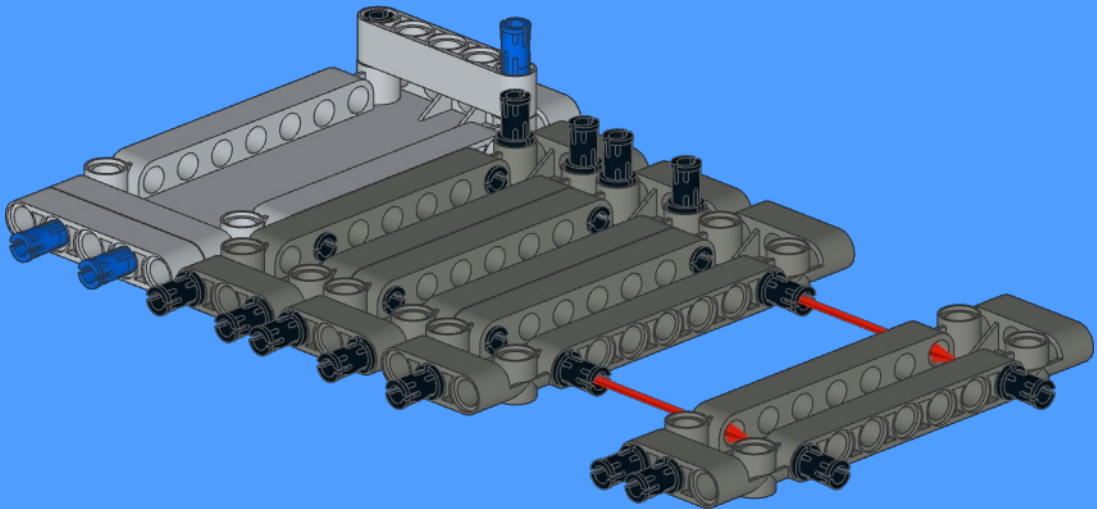
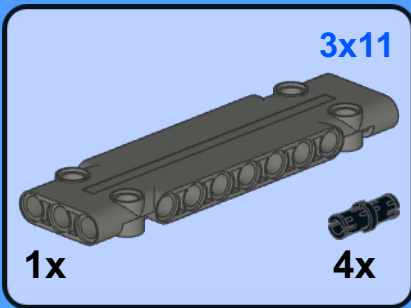
3



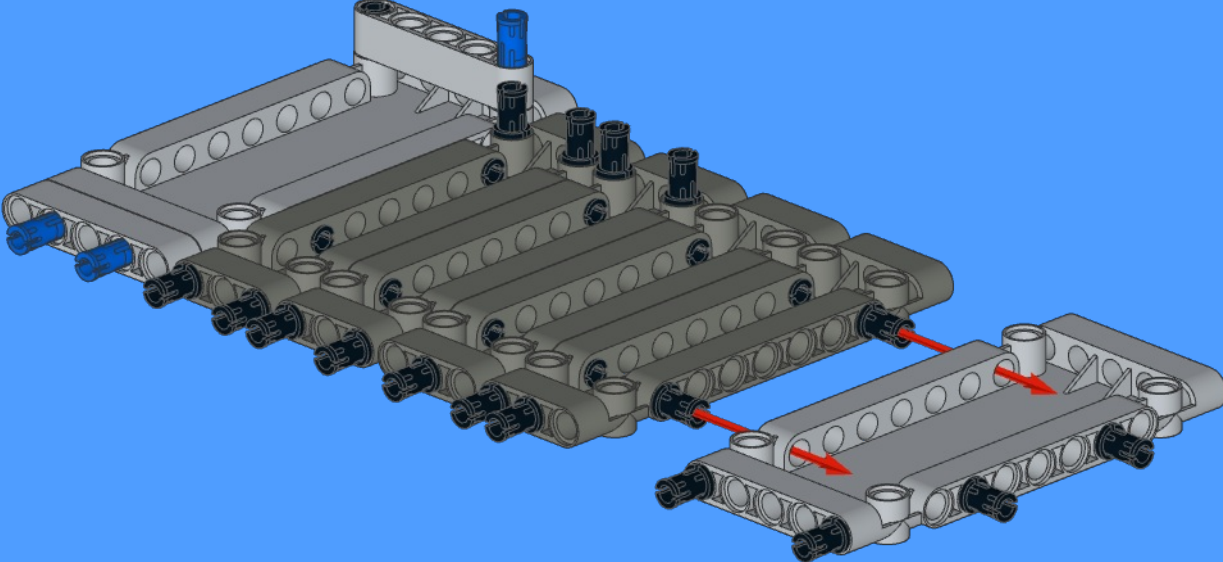
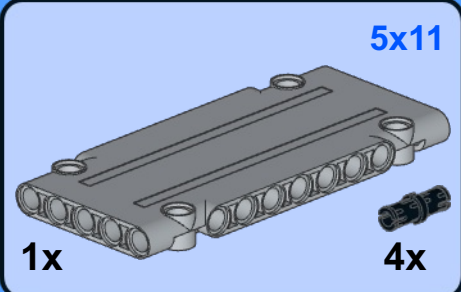
4



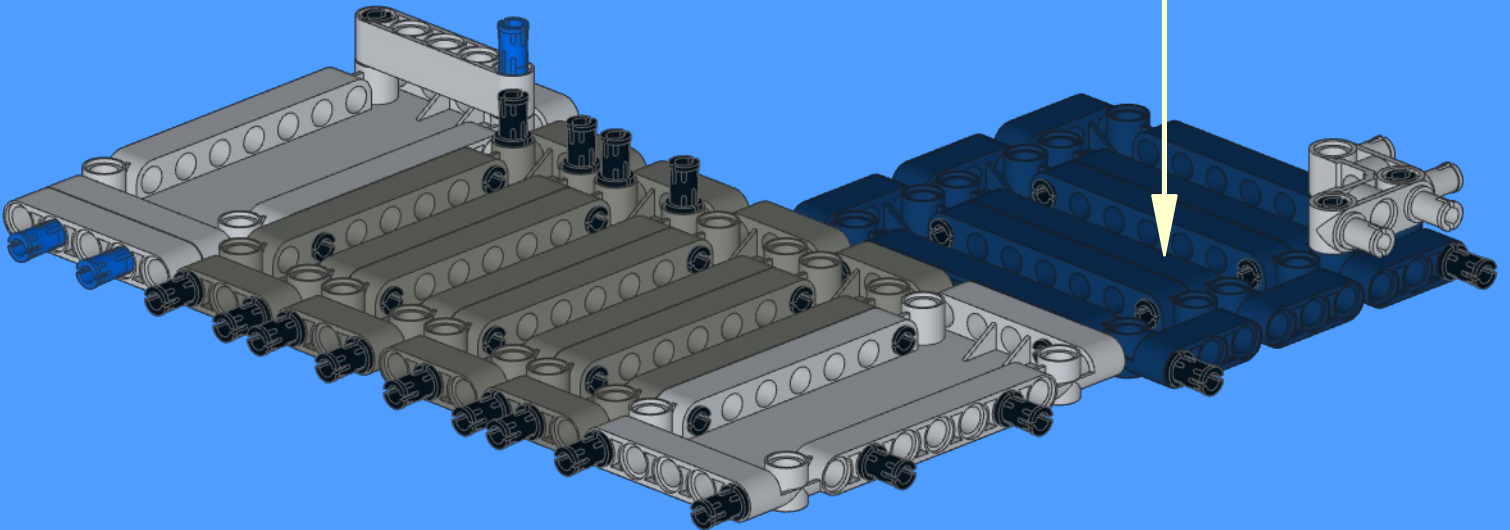
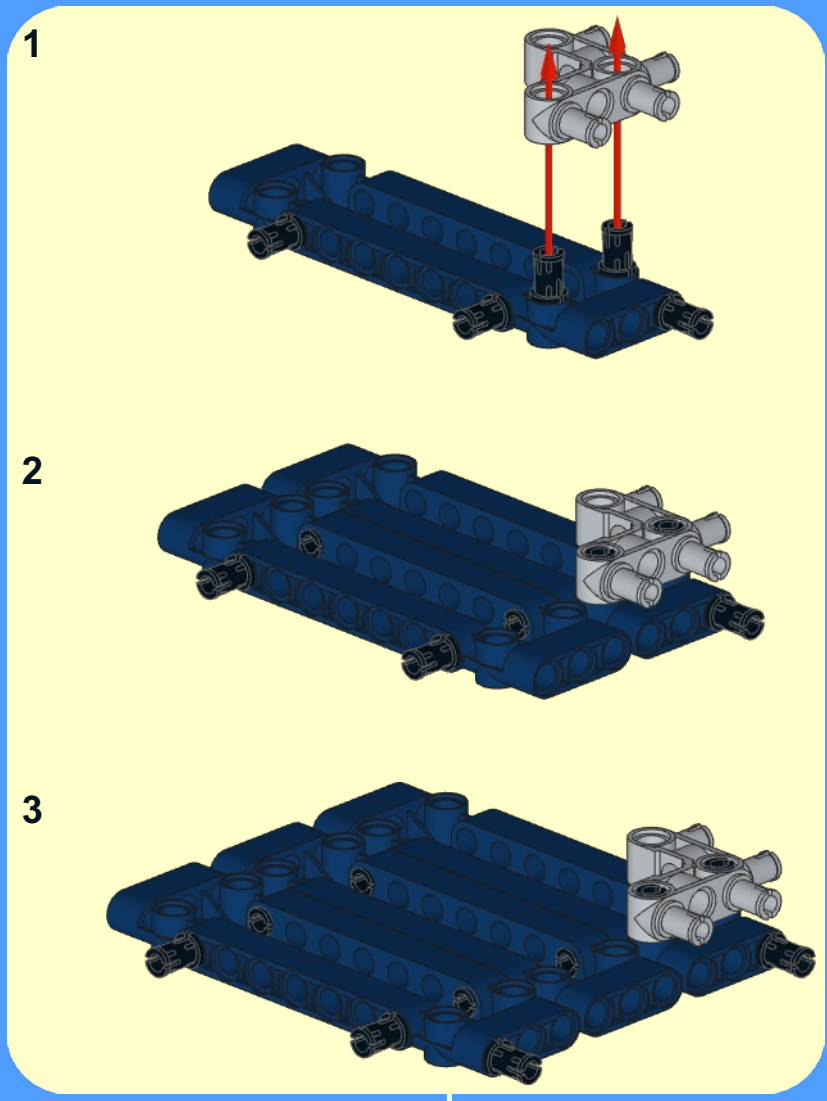
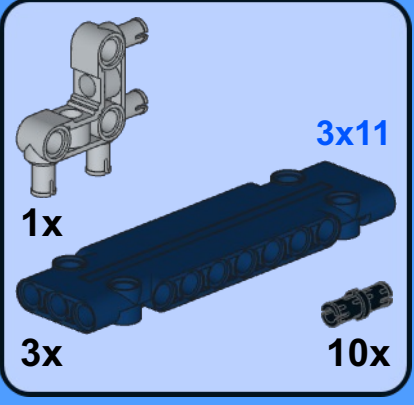
5



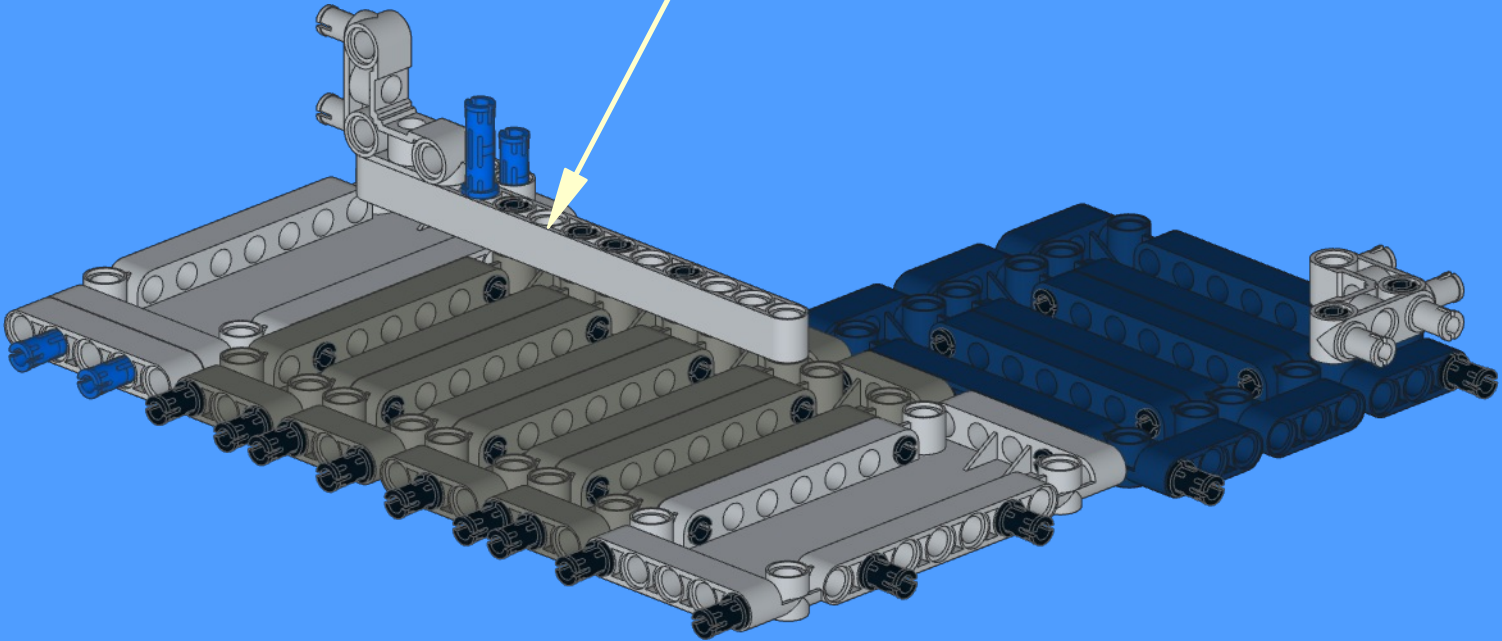
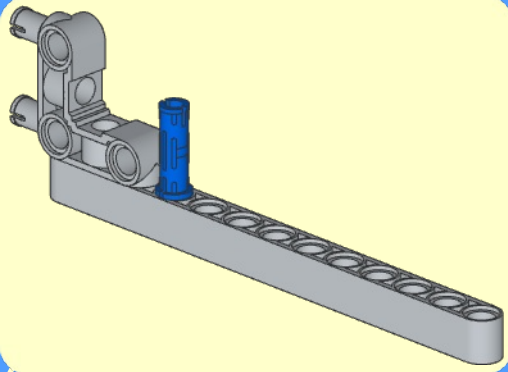
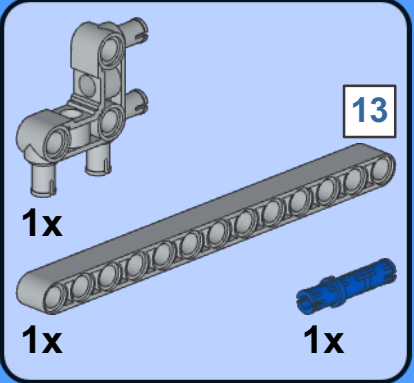
6



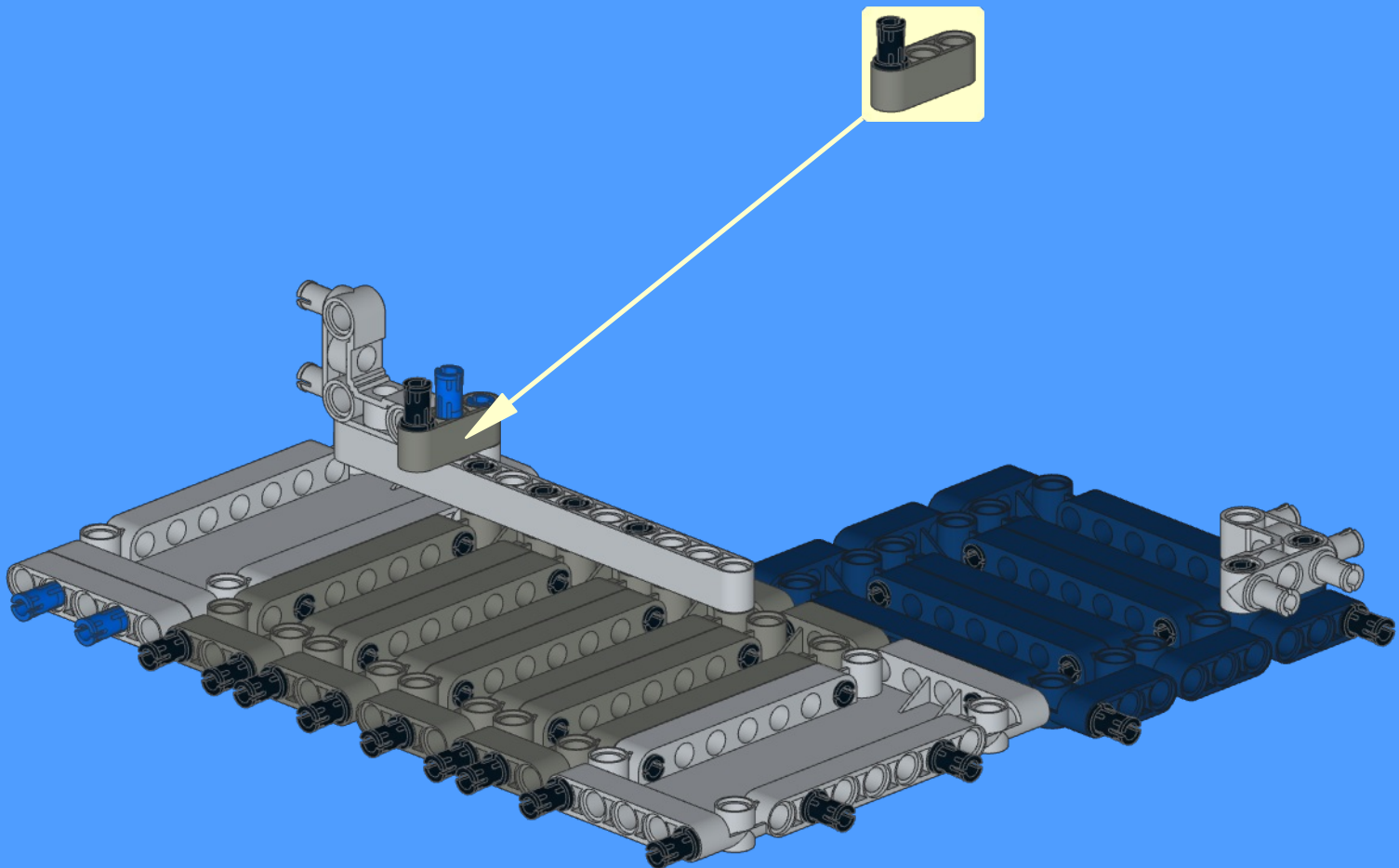
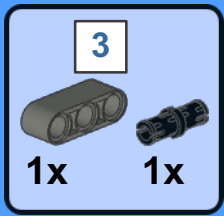
7

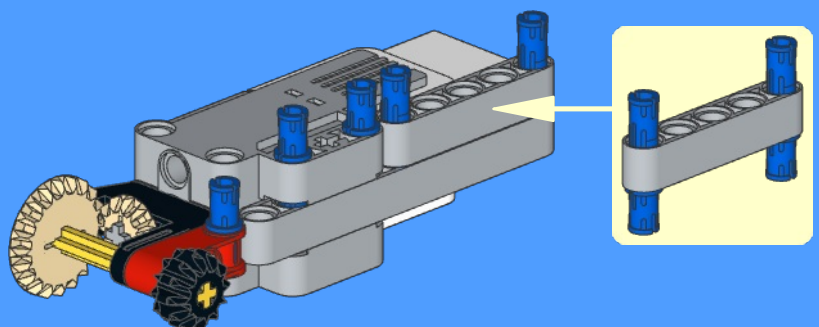
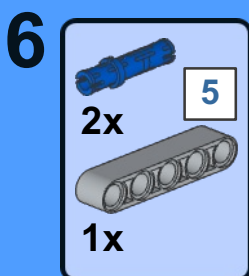
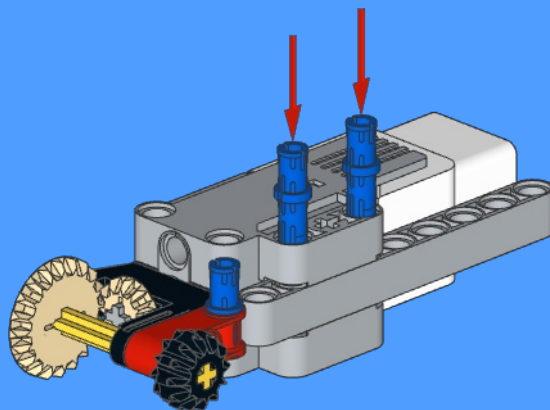
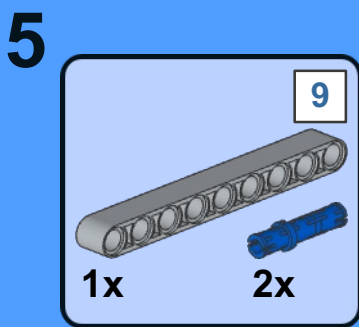
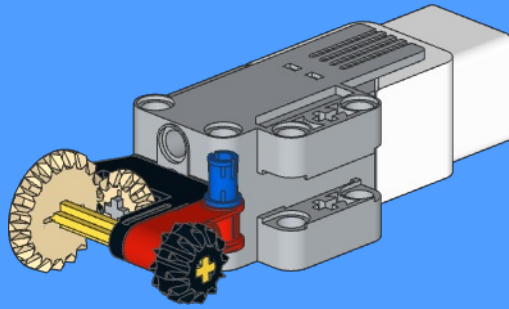
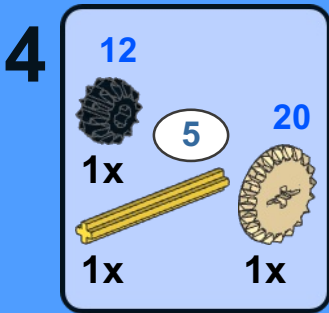
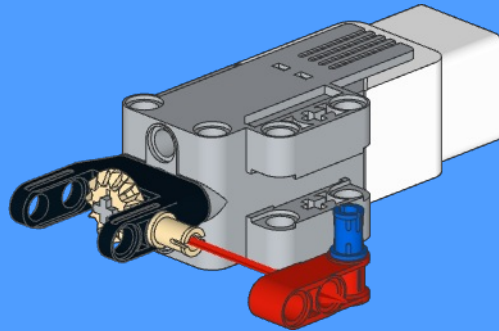
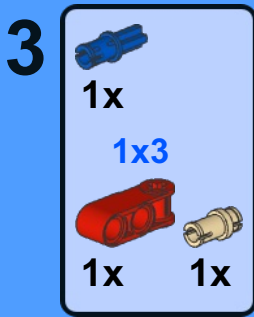
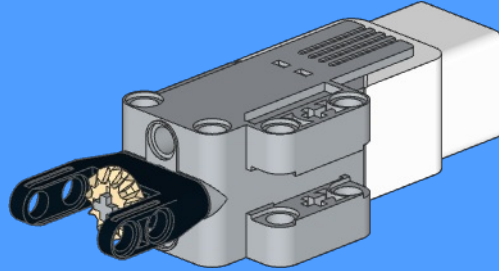
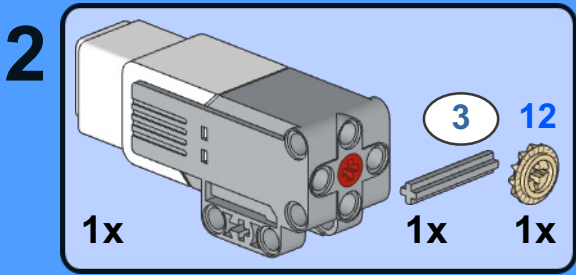
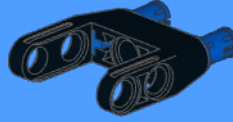
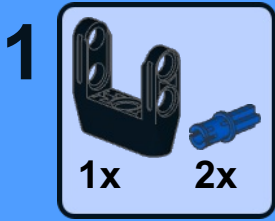


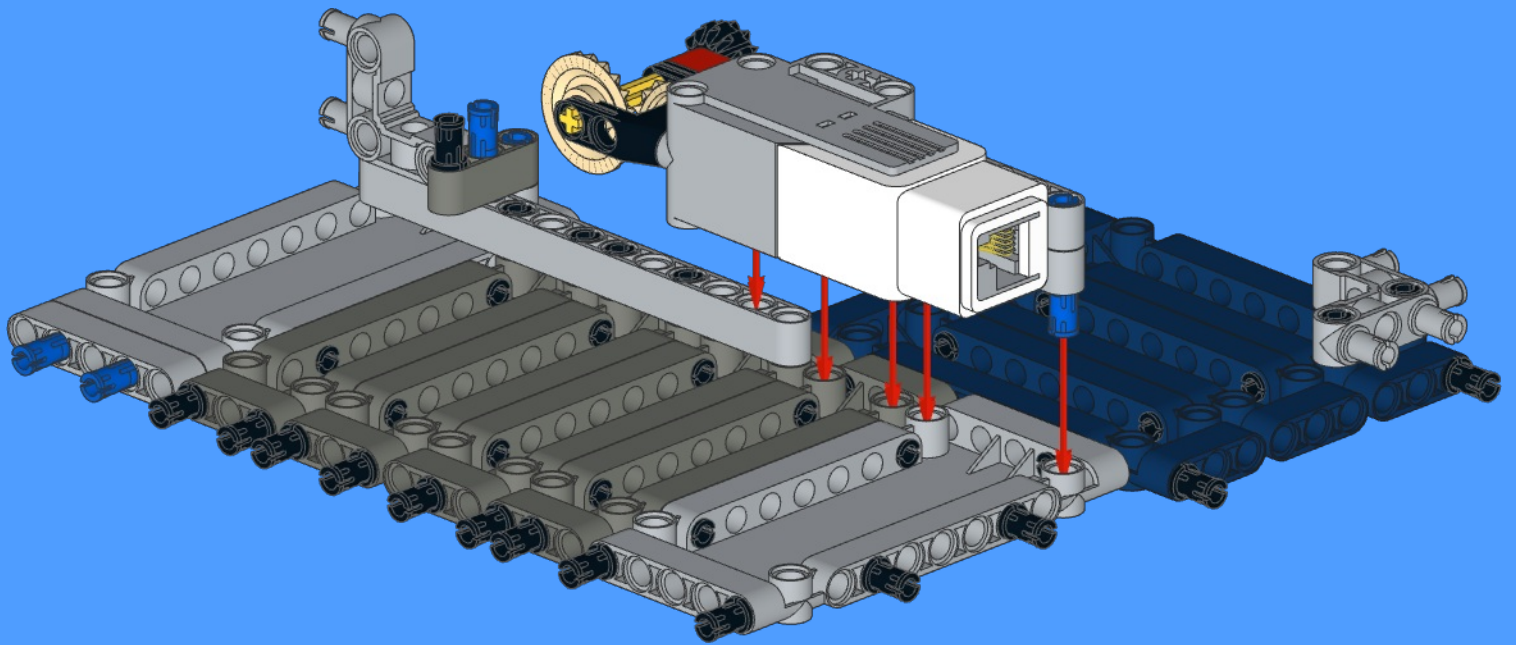
8



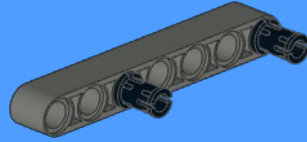
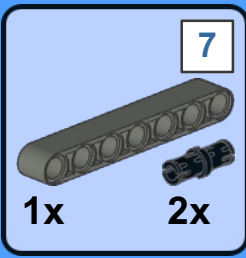
9



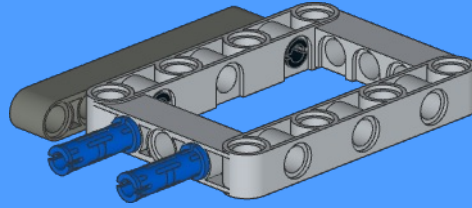
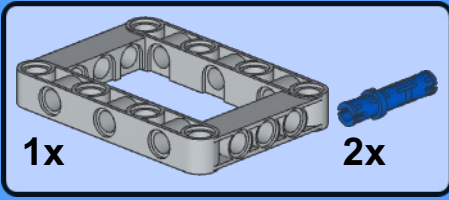




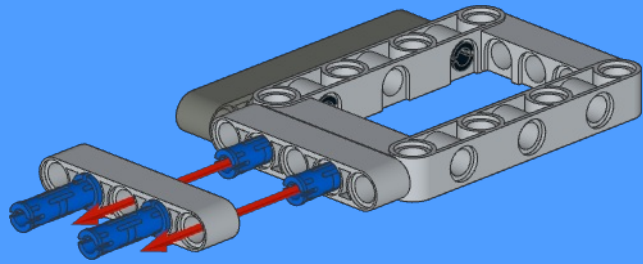
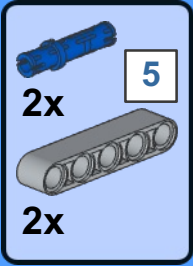
1



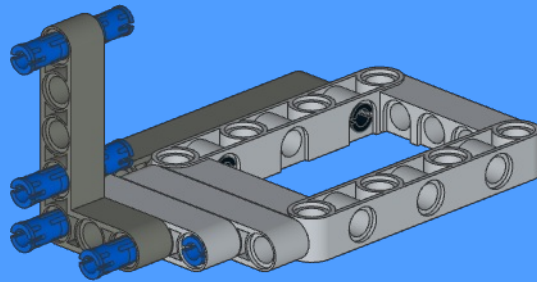
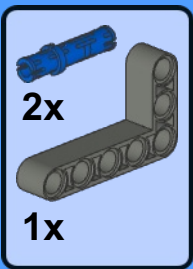
2



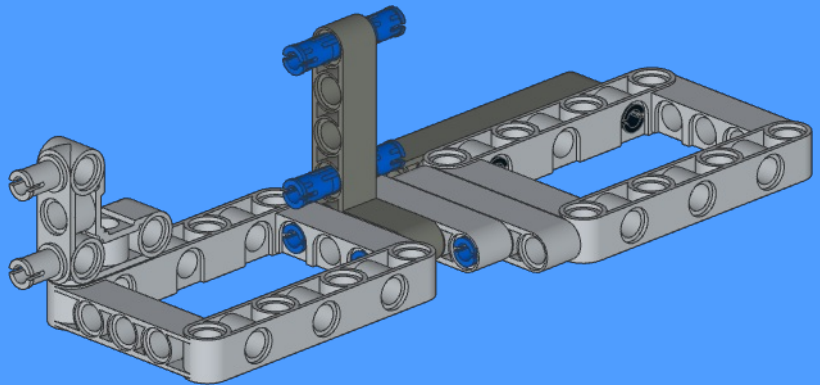
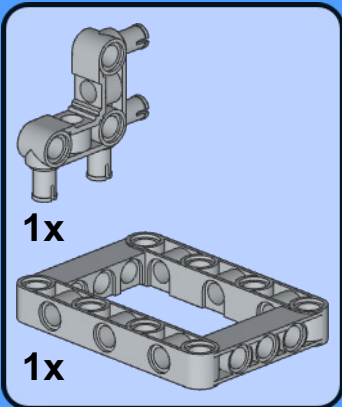
3



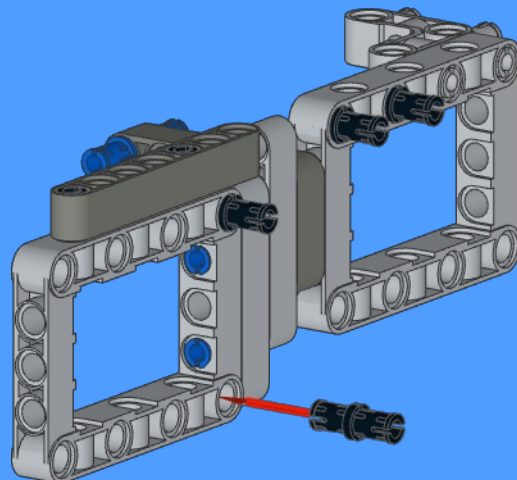
4

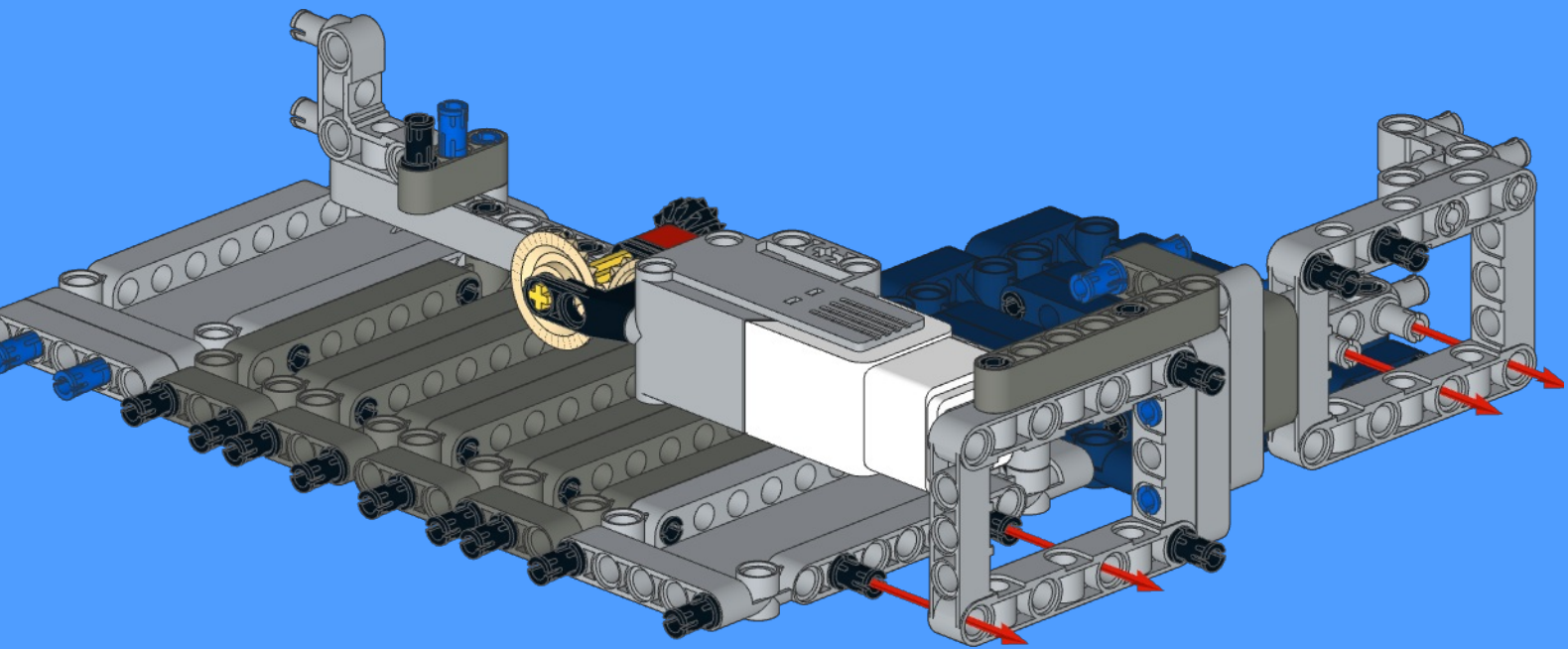


5

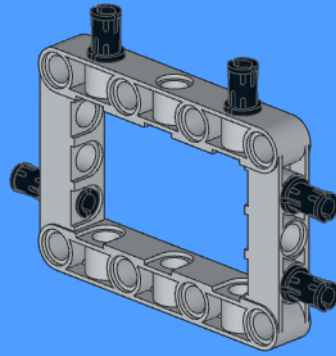
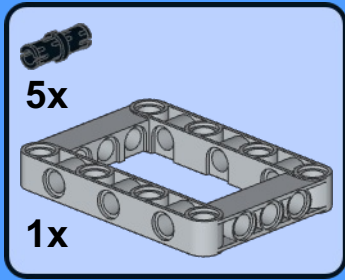


6

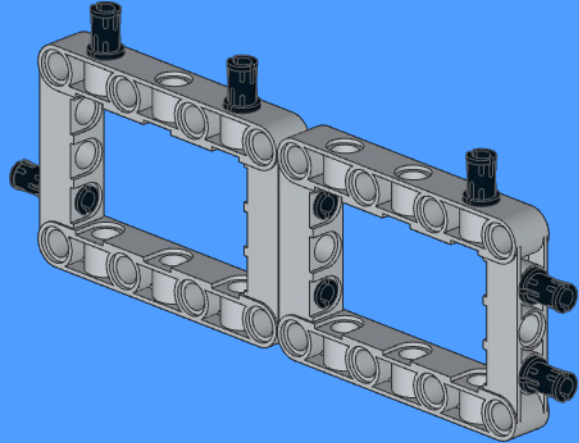
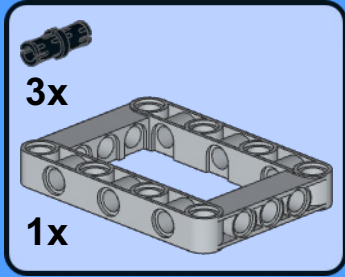




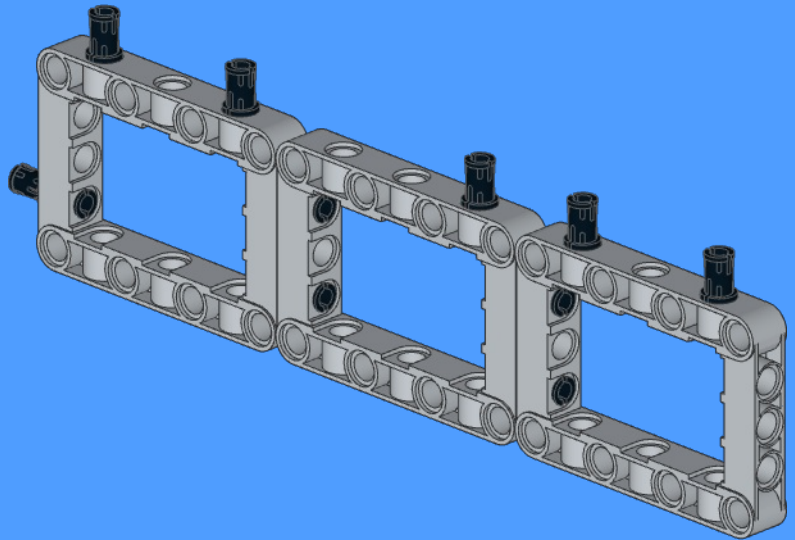
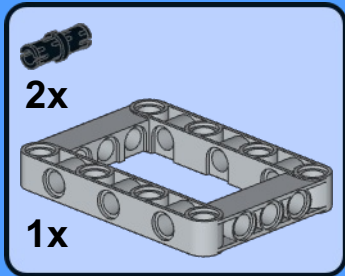
1



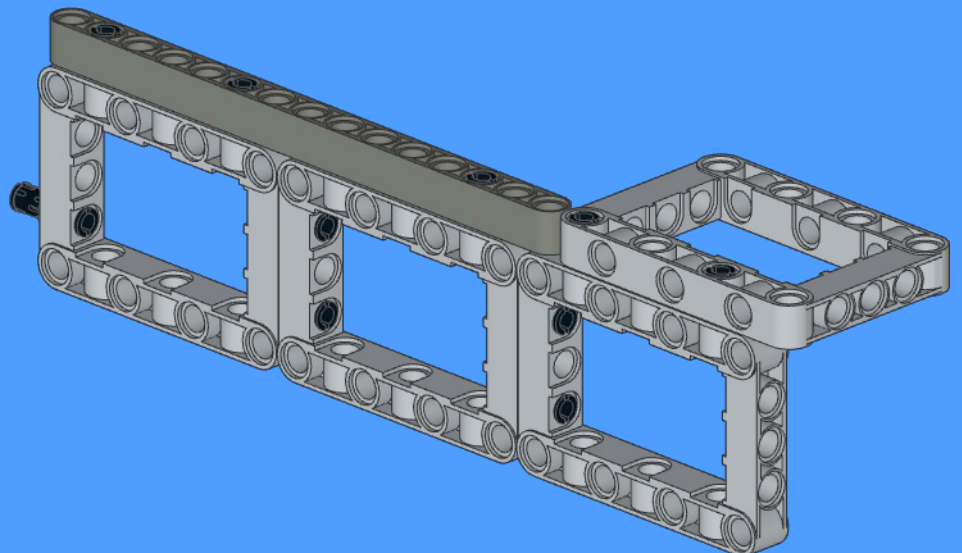
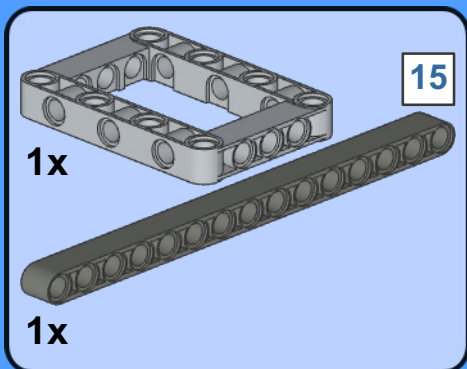
2

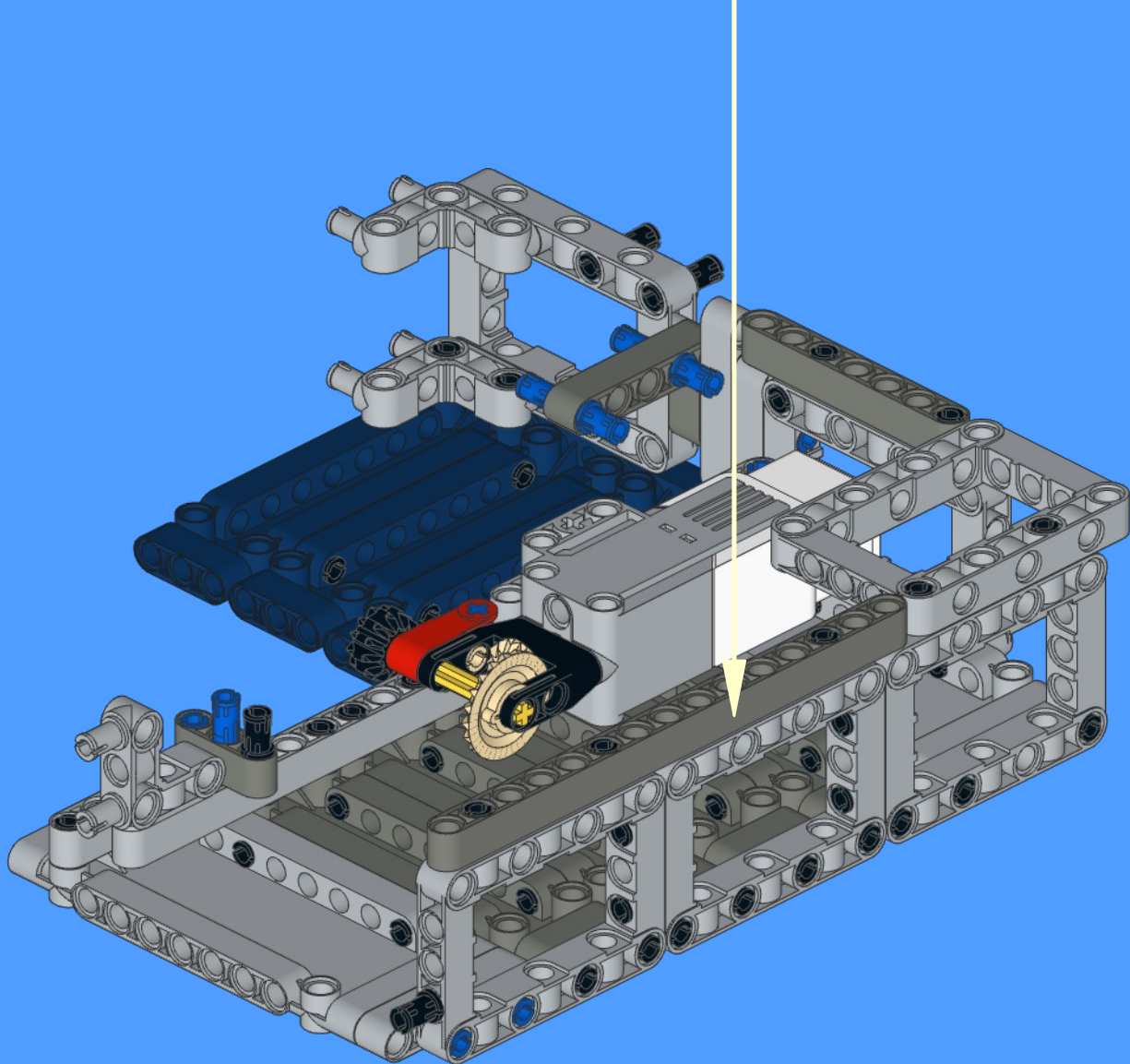
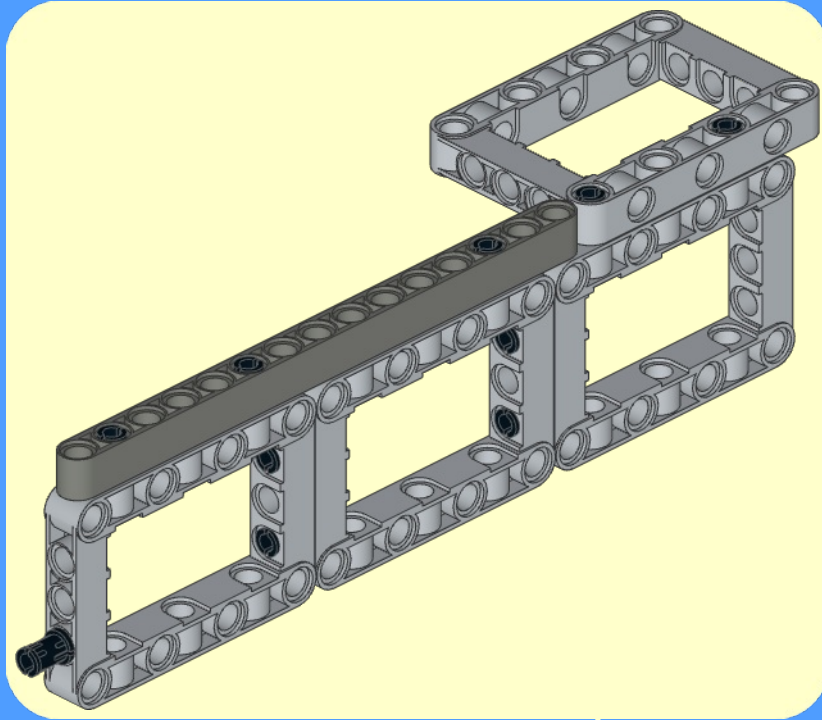


3

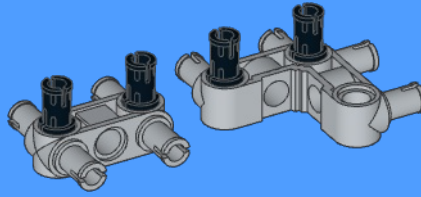
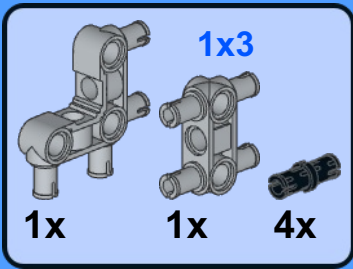


4

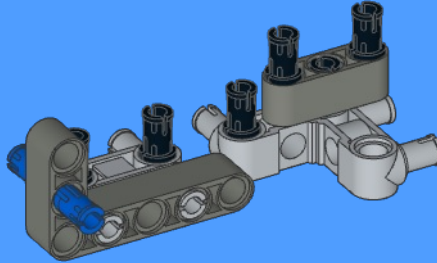
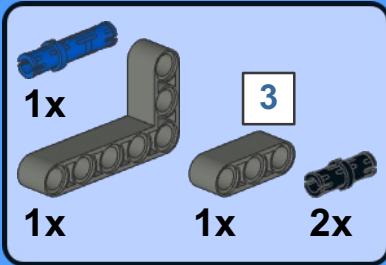




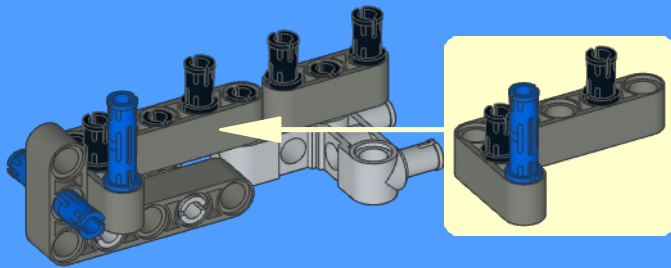
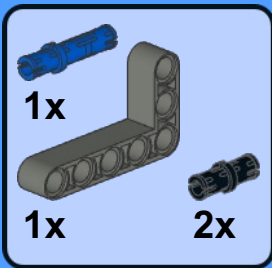
1



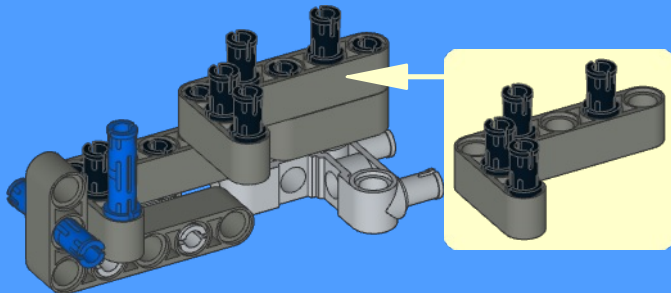
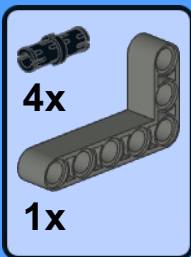
2



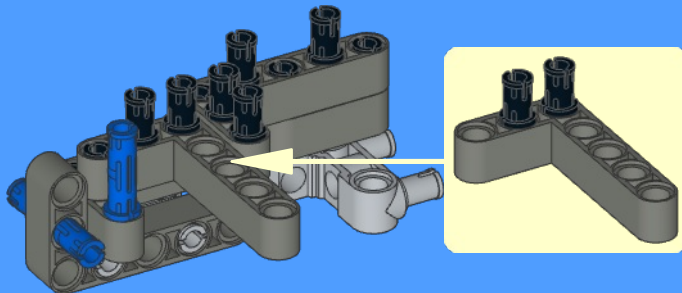
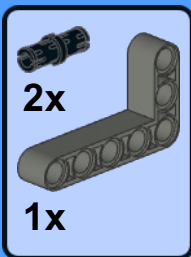
3



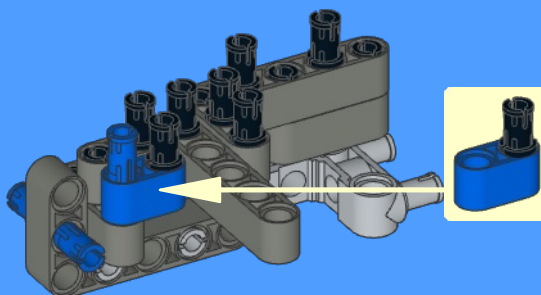
4



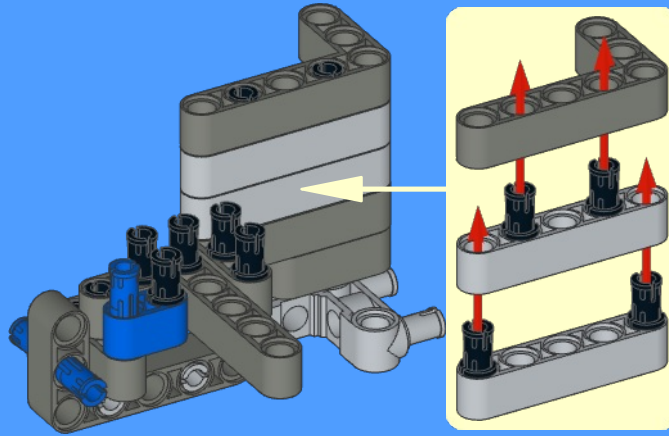
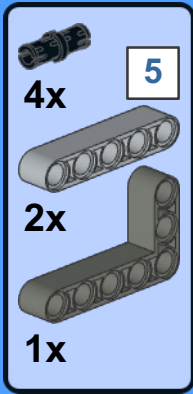
5



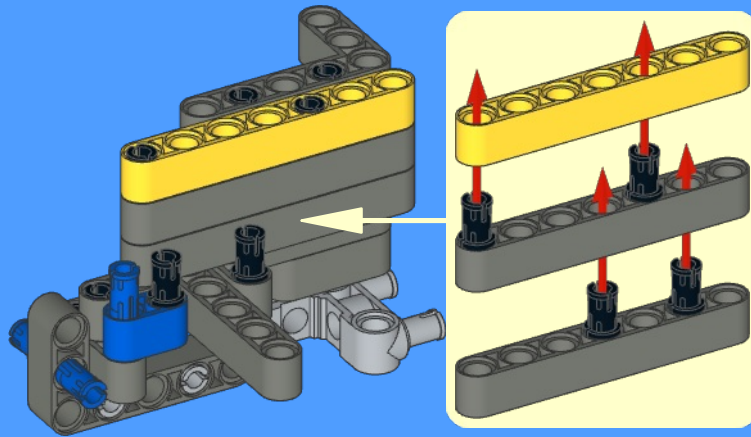
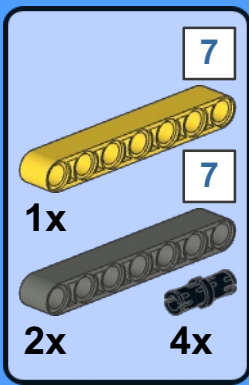
6



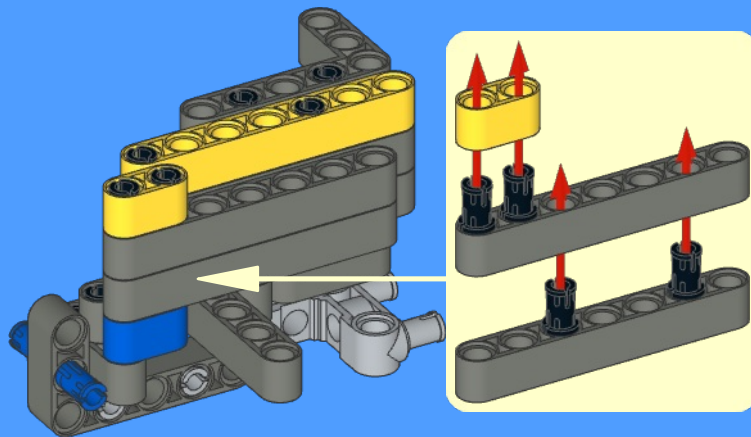
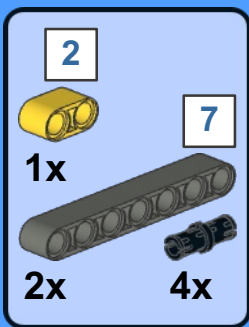
7

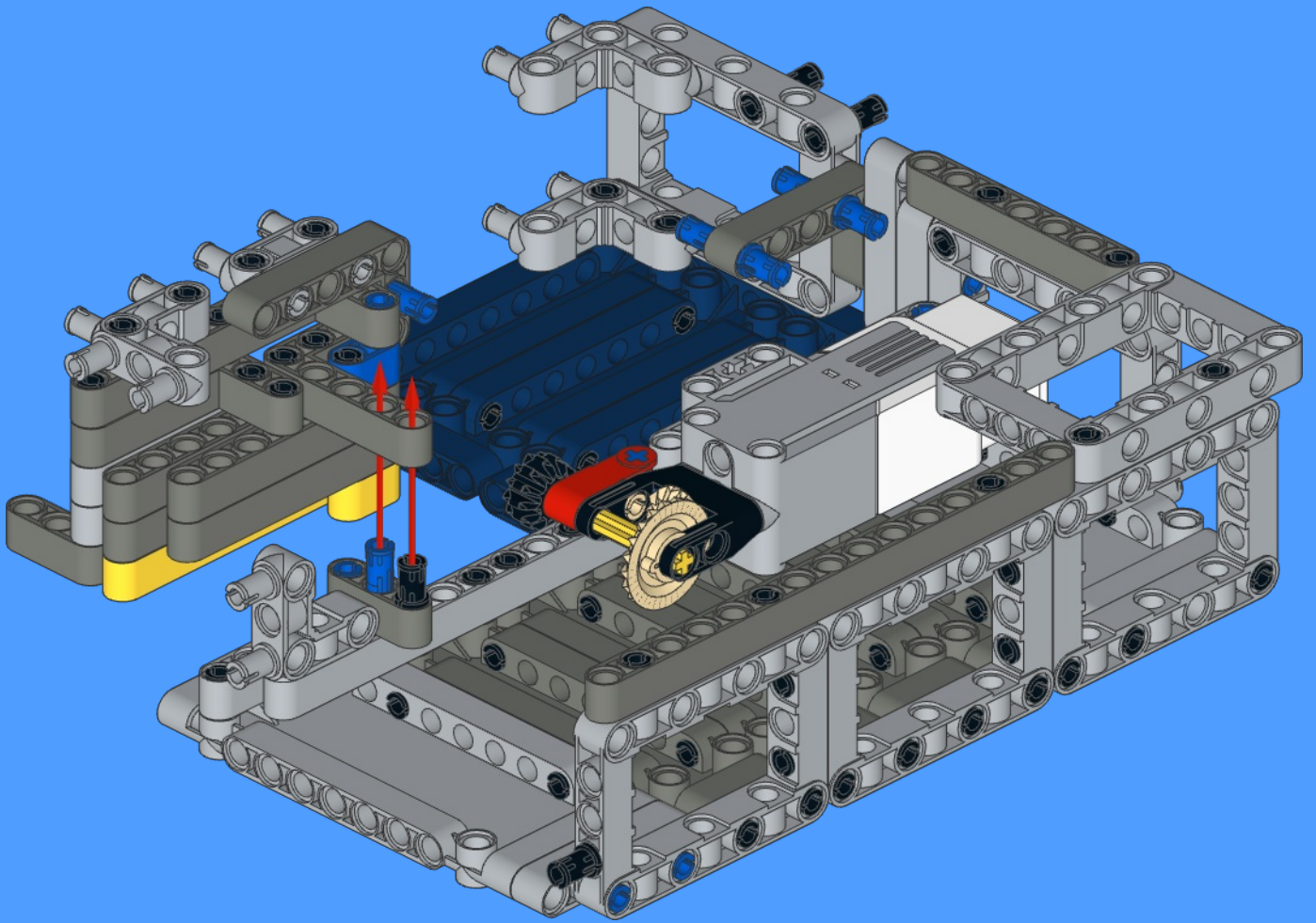


8



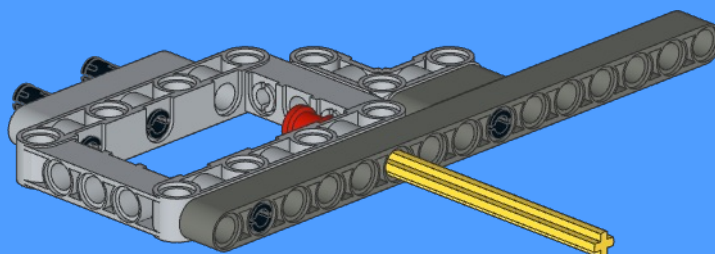
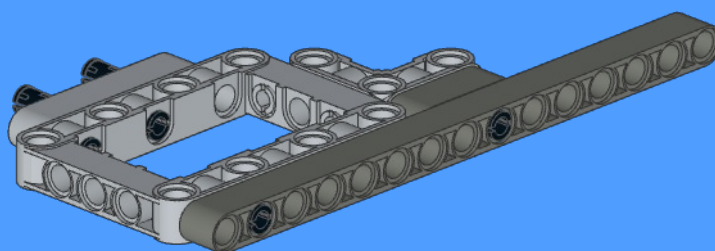
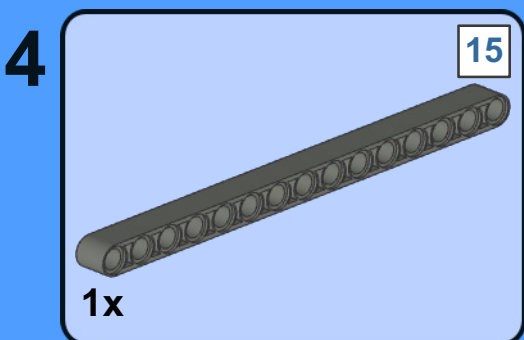
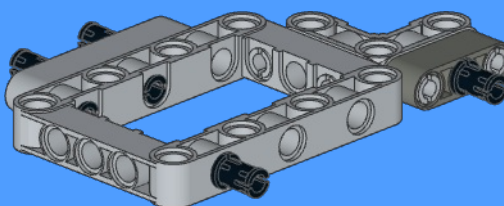
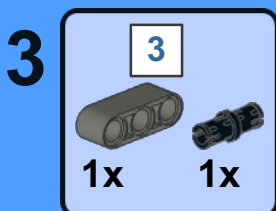
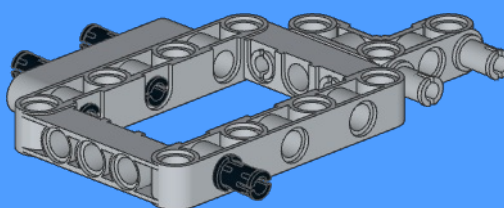
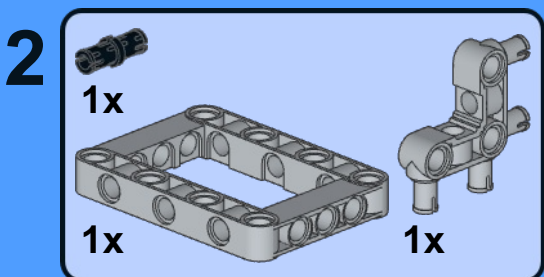
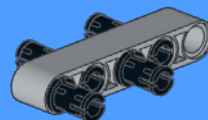
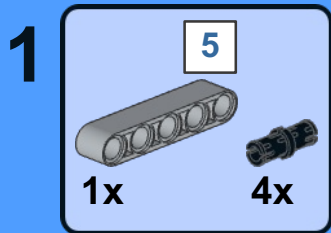
9



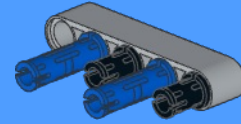
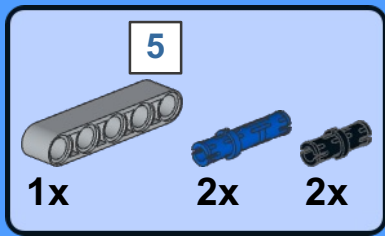


5
1x
15
12
20
1x 1x

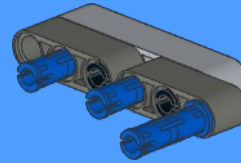
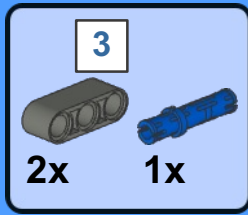
1
2



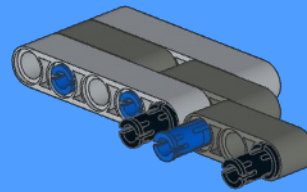
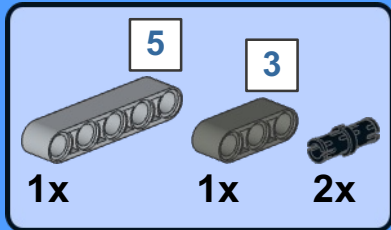
1



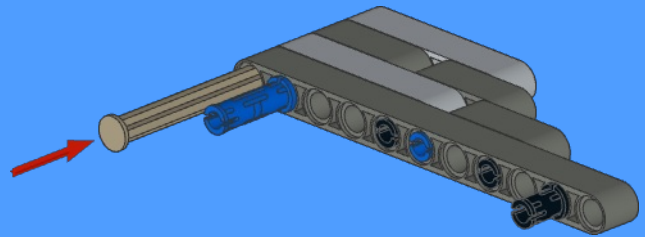
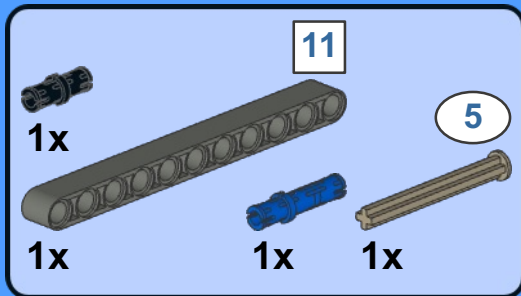
2



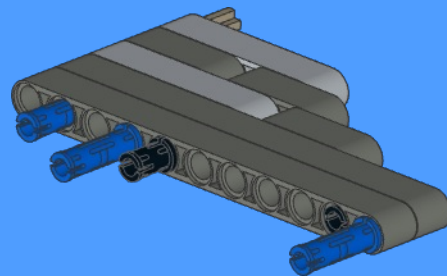
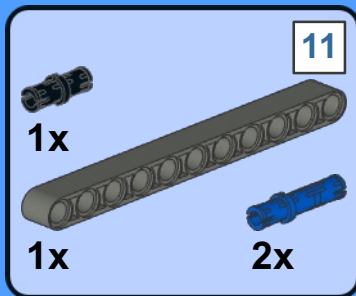
3



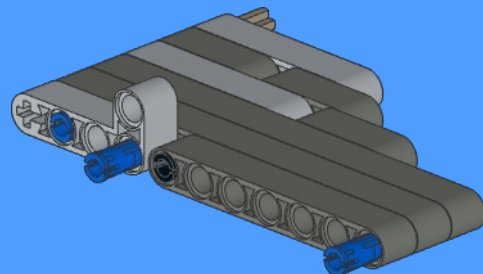
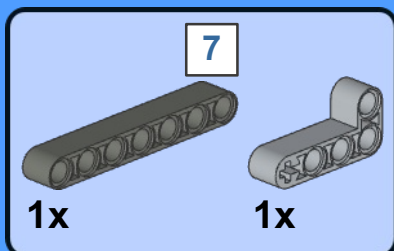
4



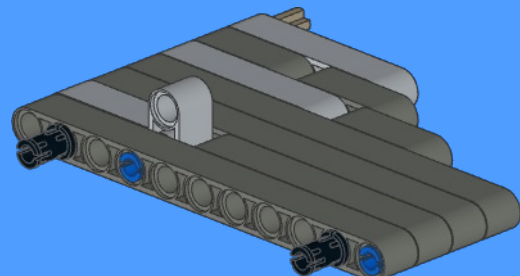
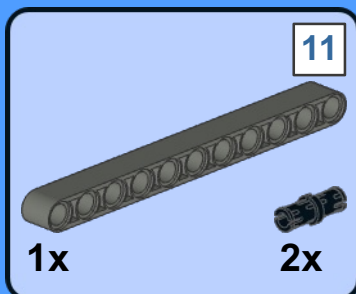
5



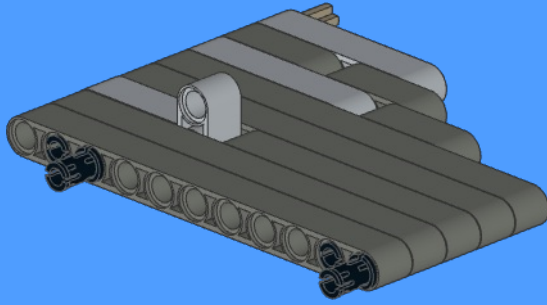
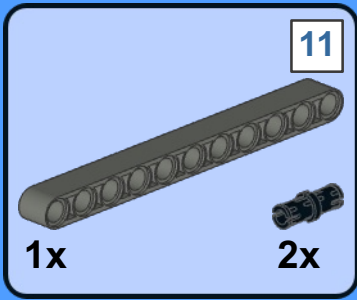
6



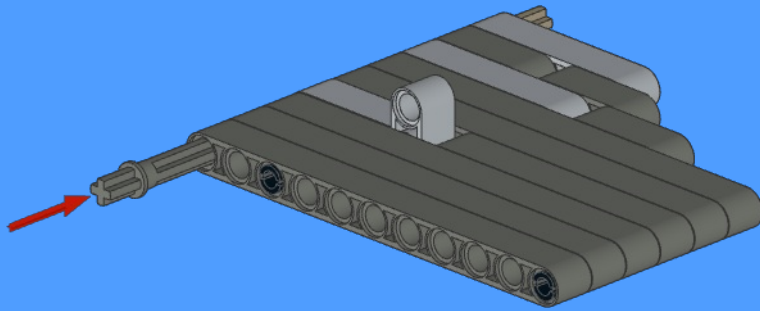
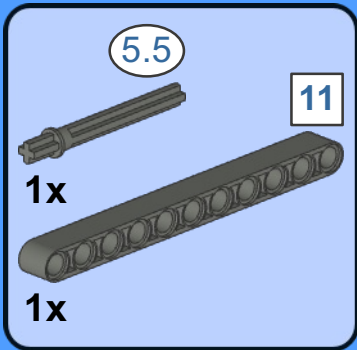
7



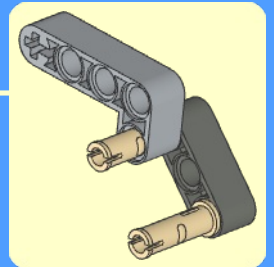
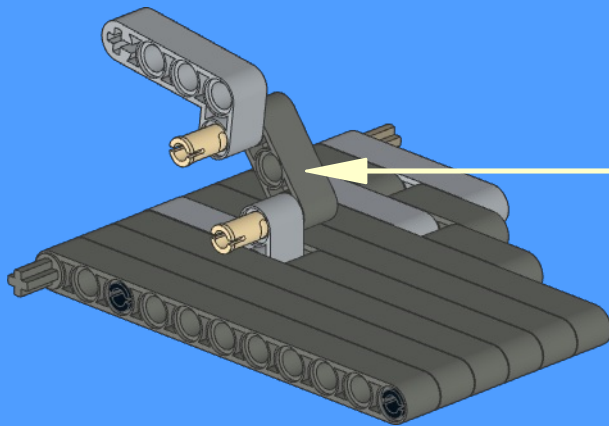
8



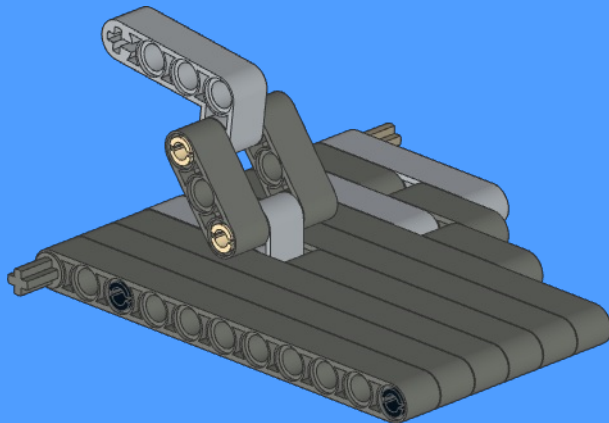
9



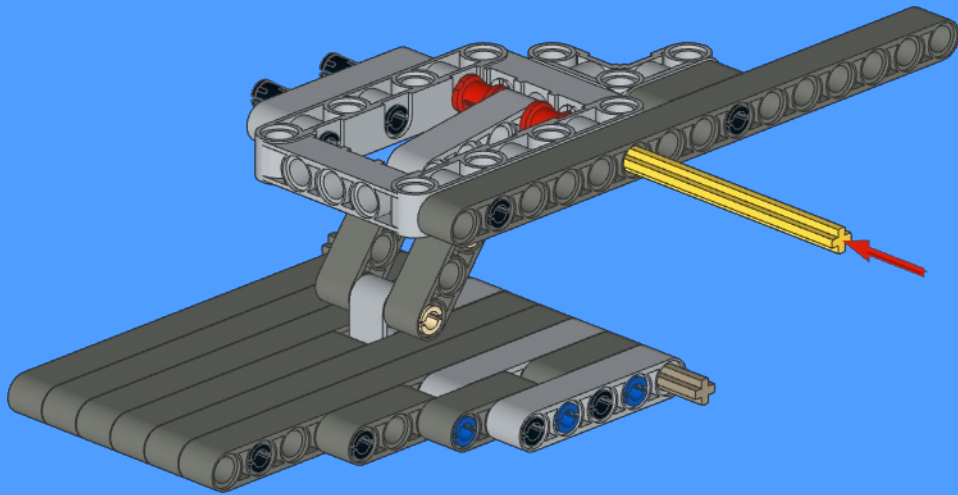
10



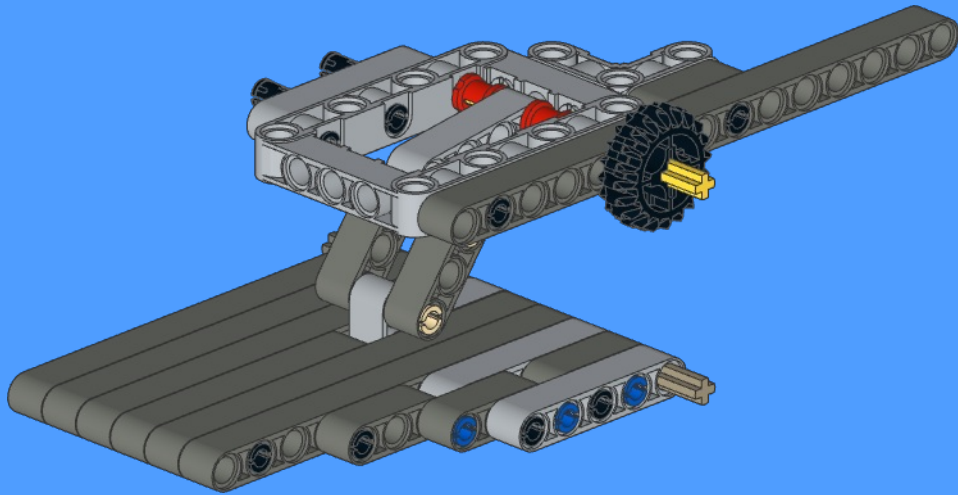
11

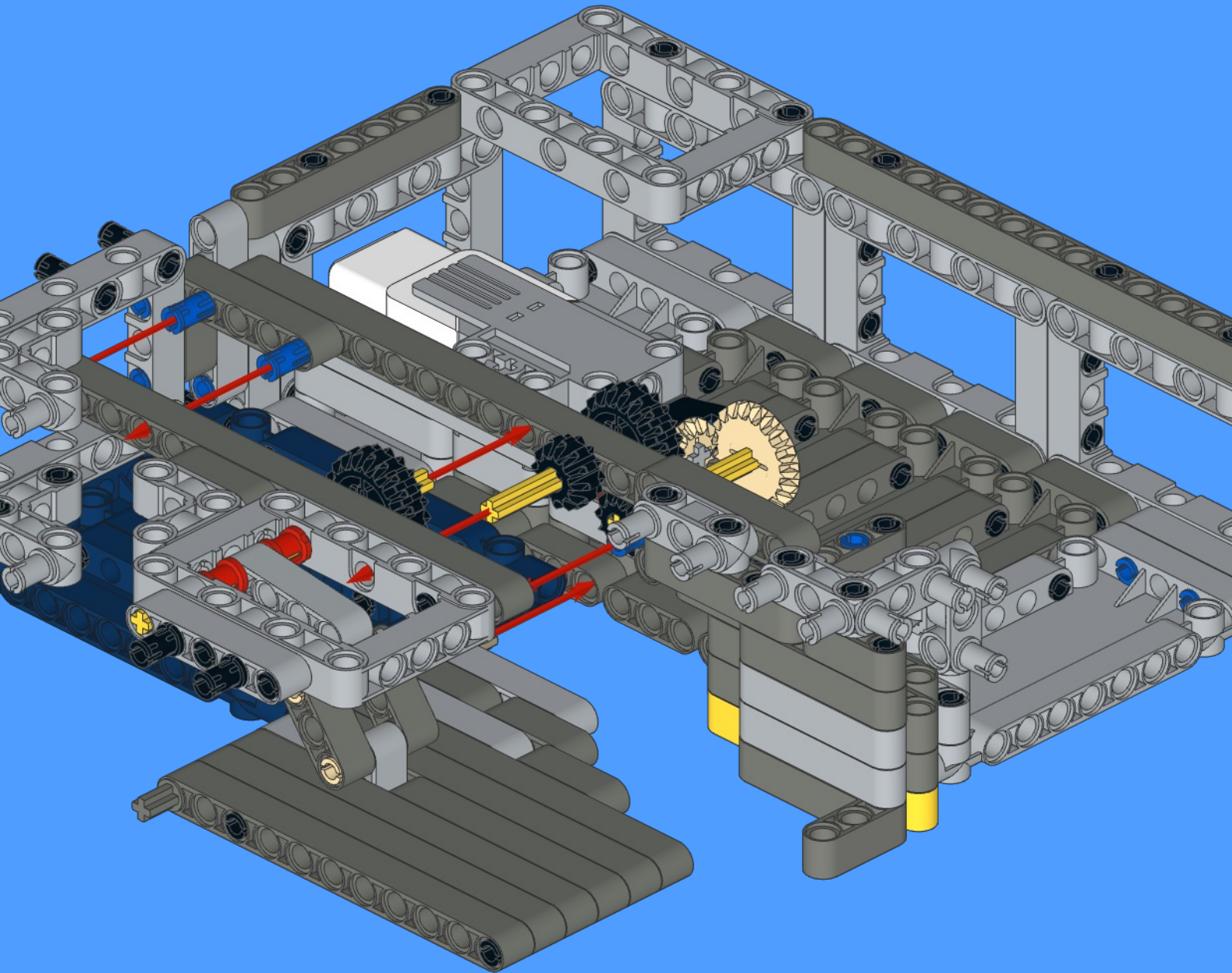


6

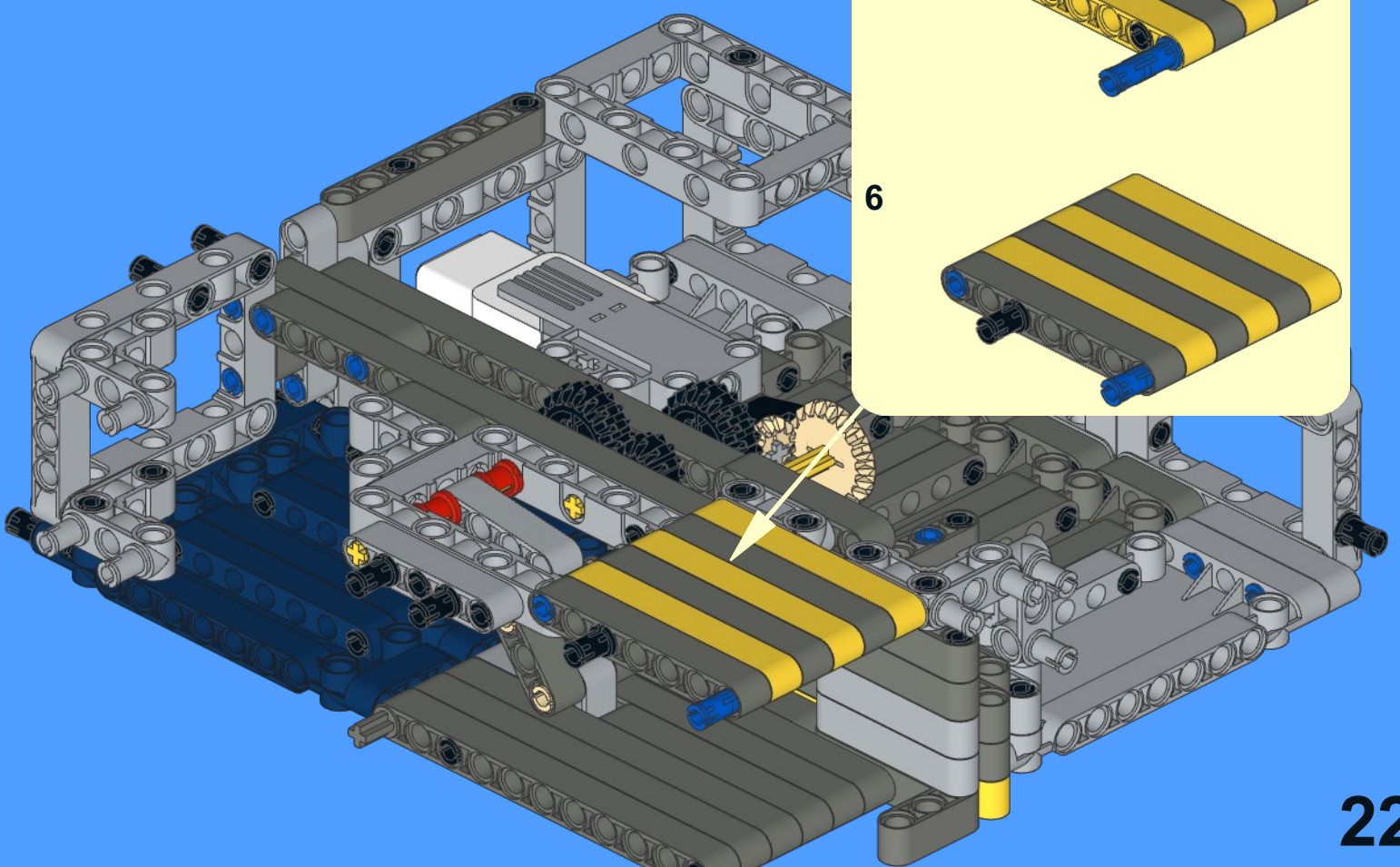
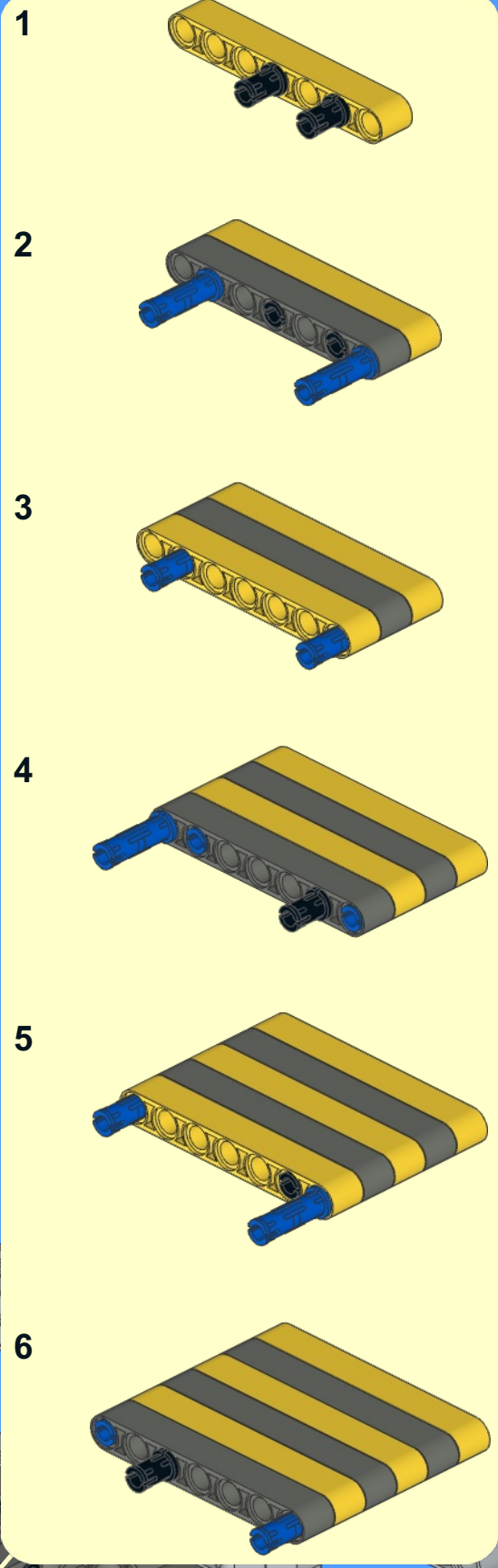
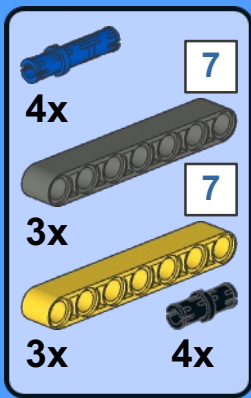


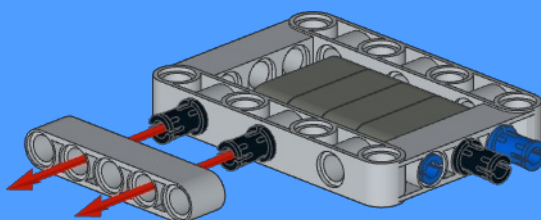
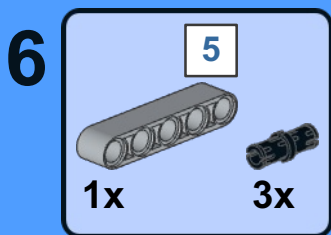
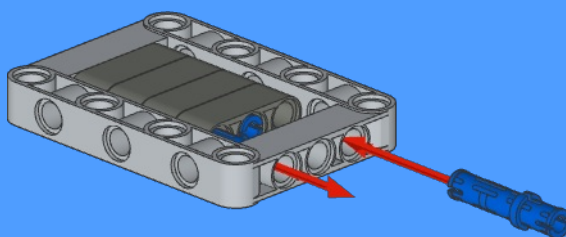
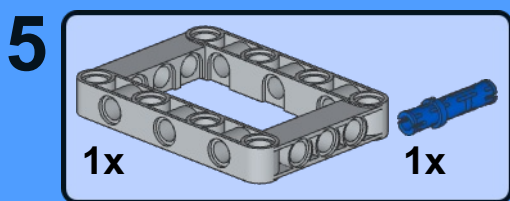
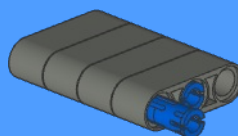
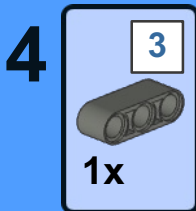
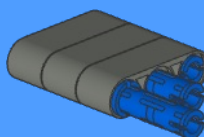
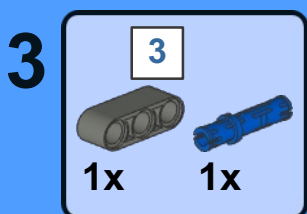
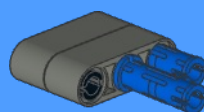
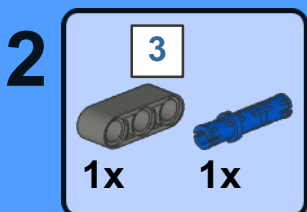
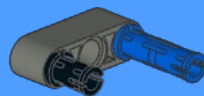
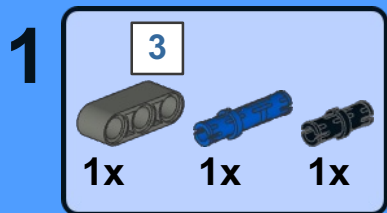
7



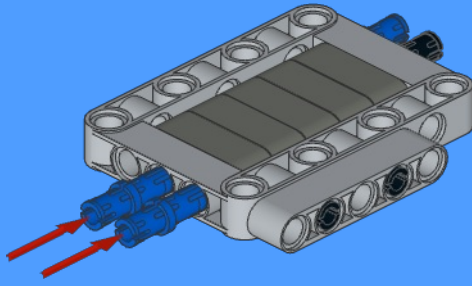
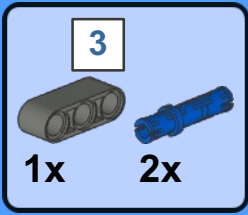


16

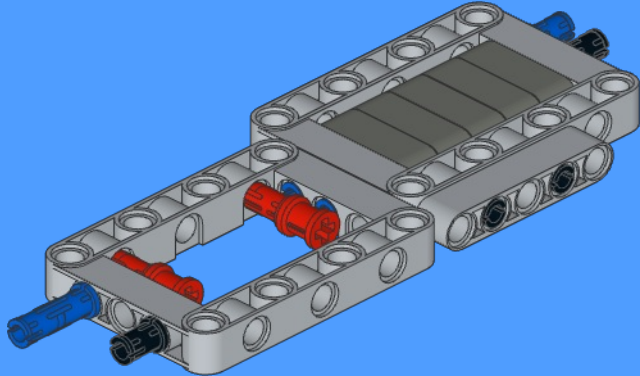
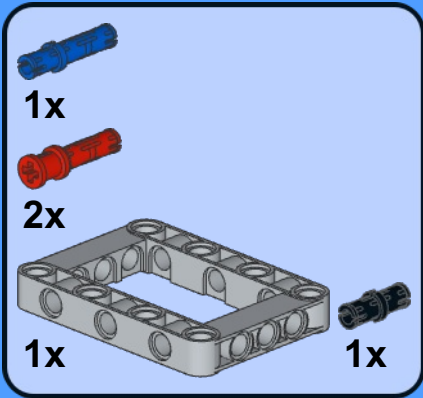




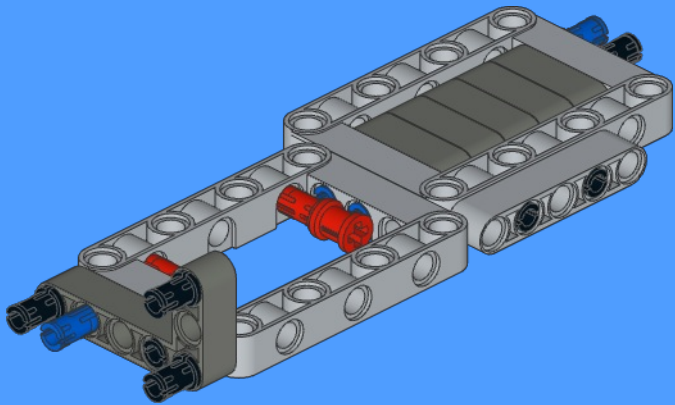
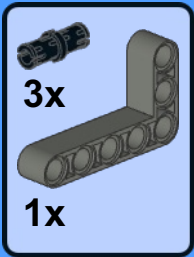
7



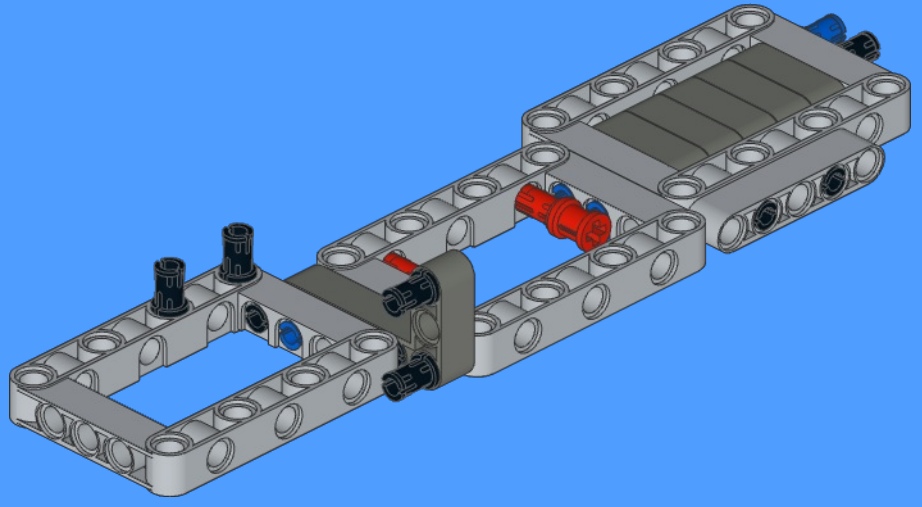
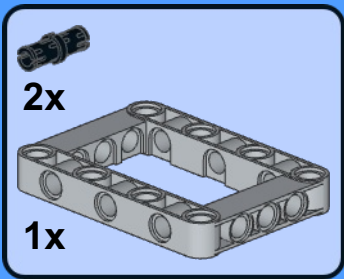
8

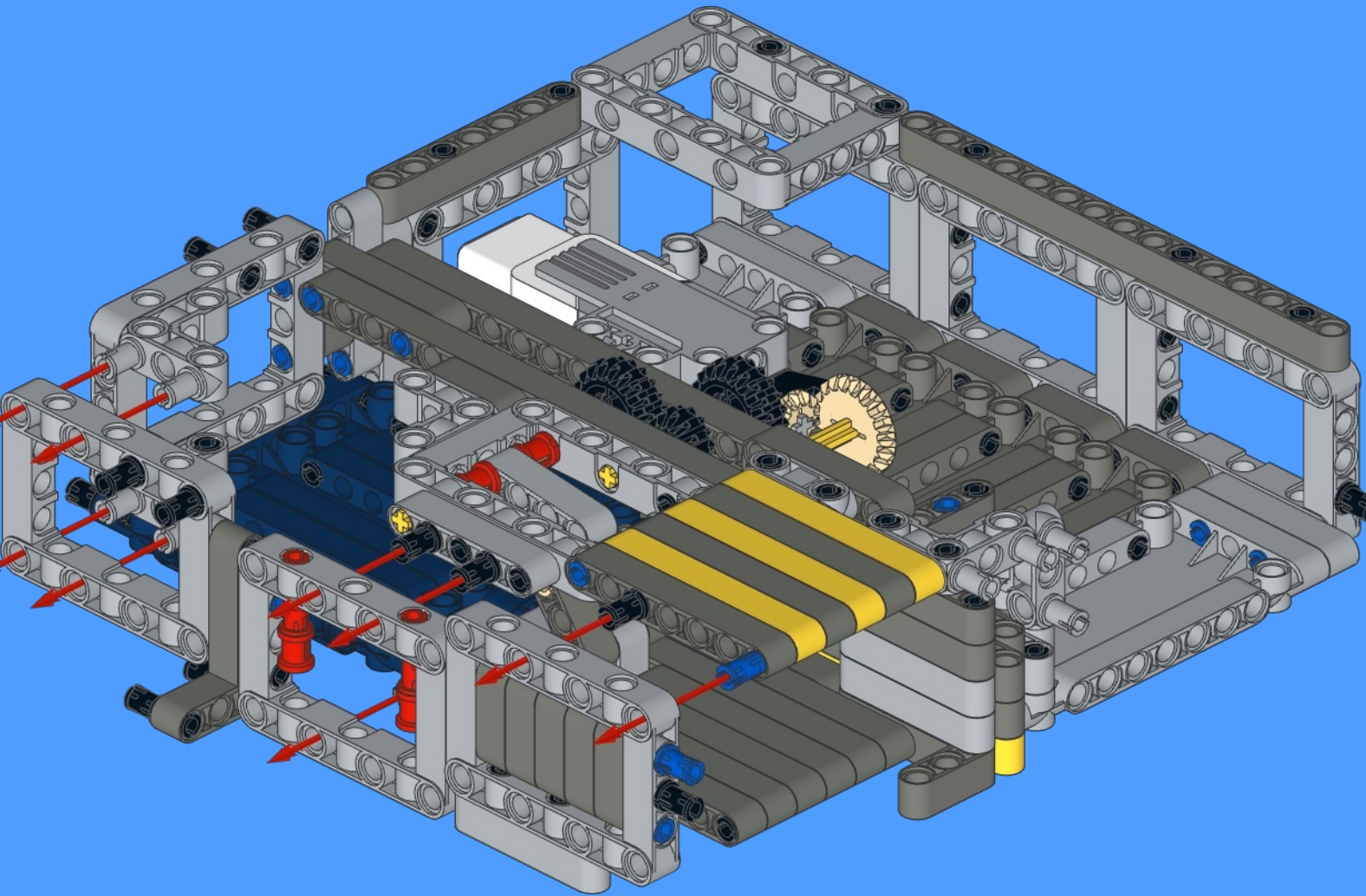


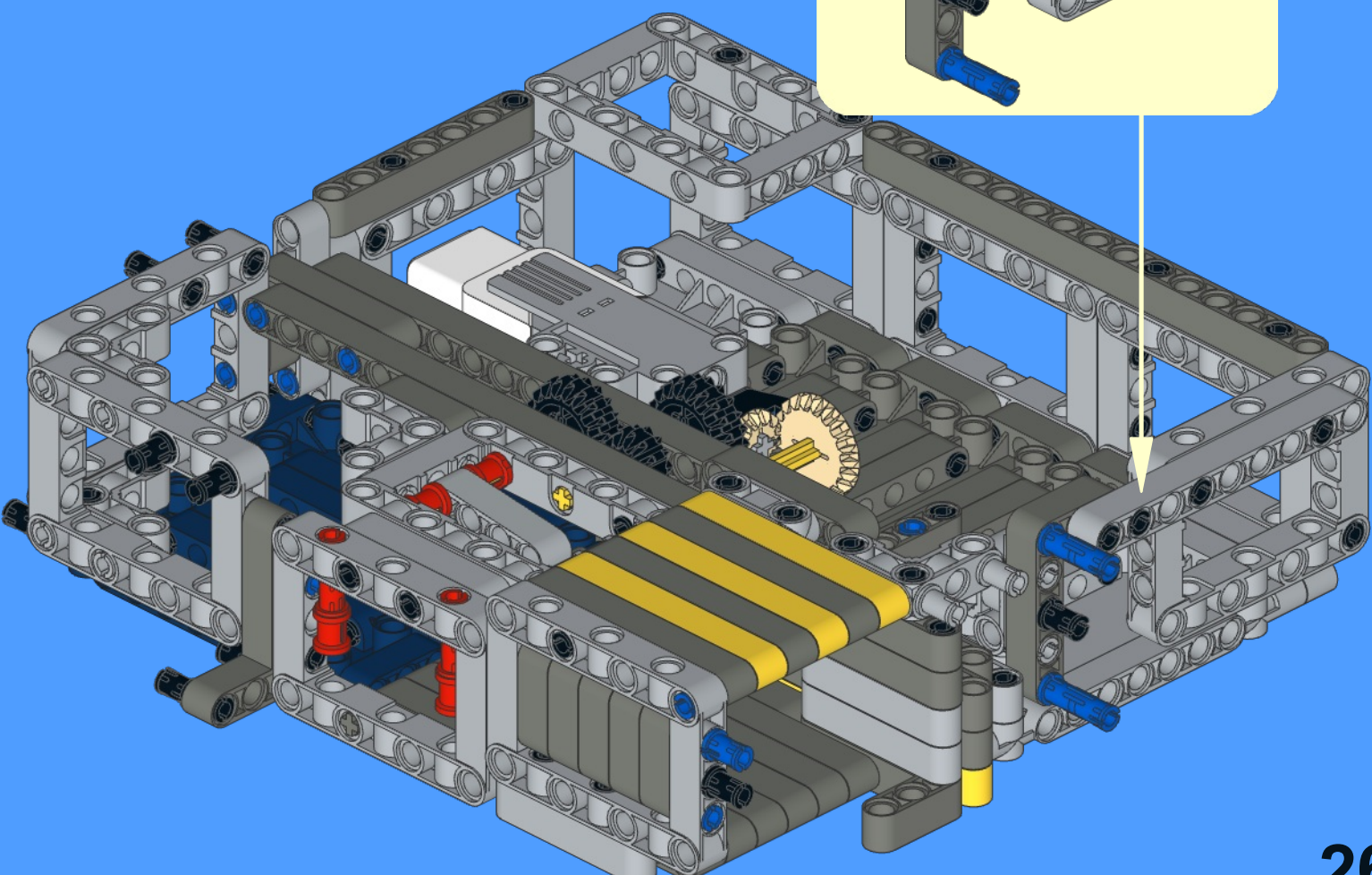
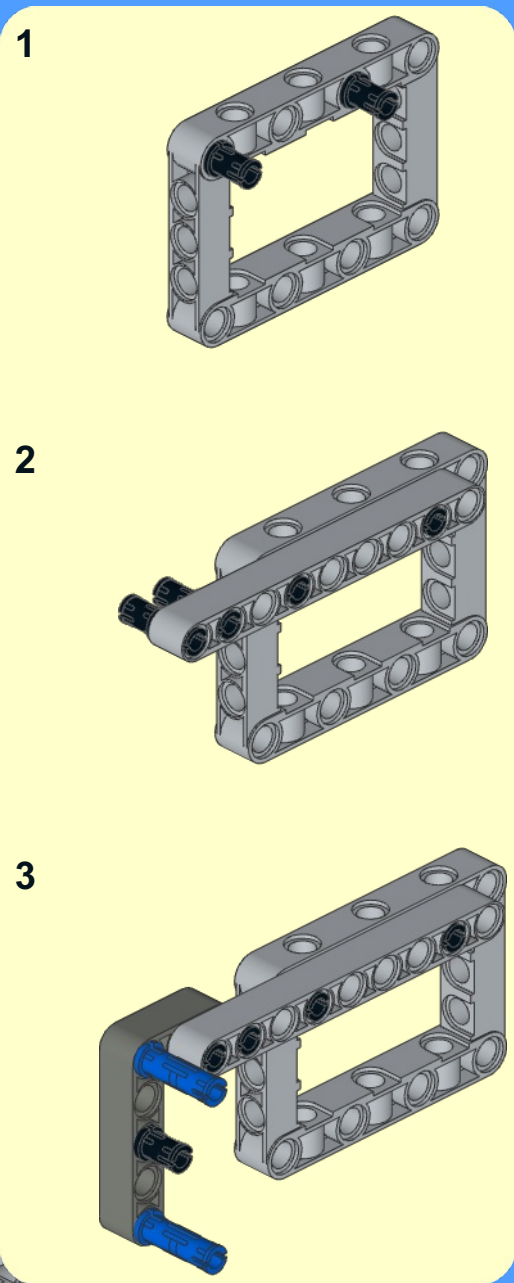
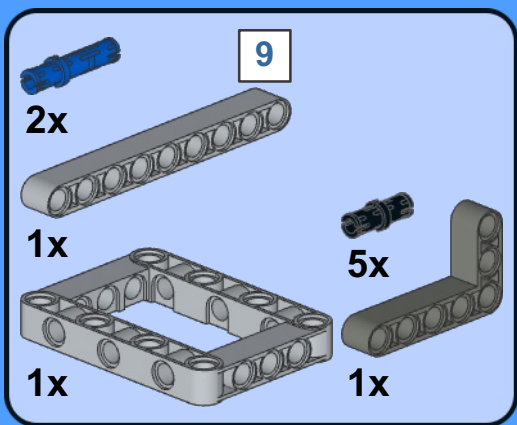
9



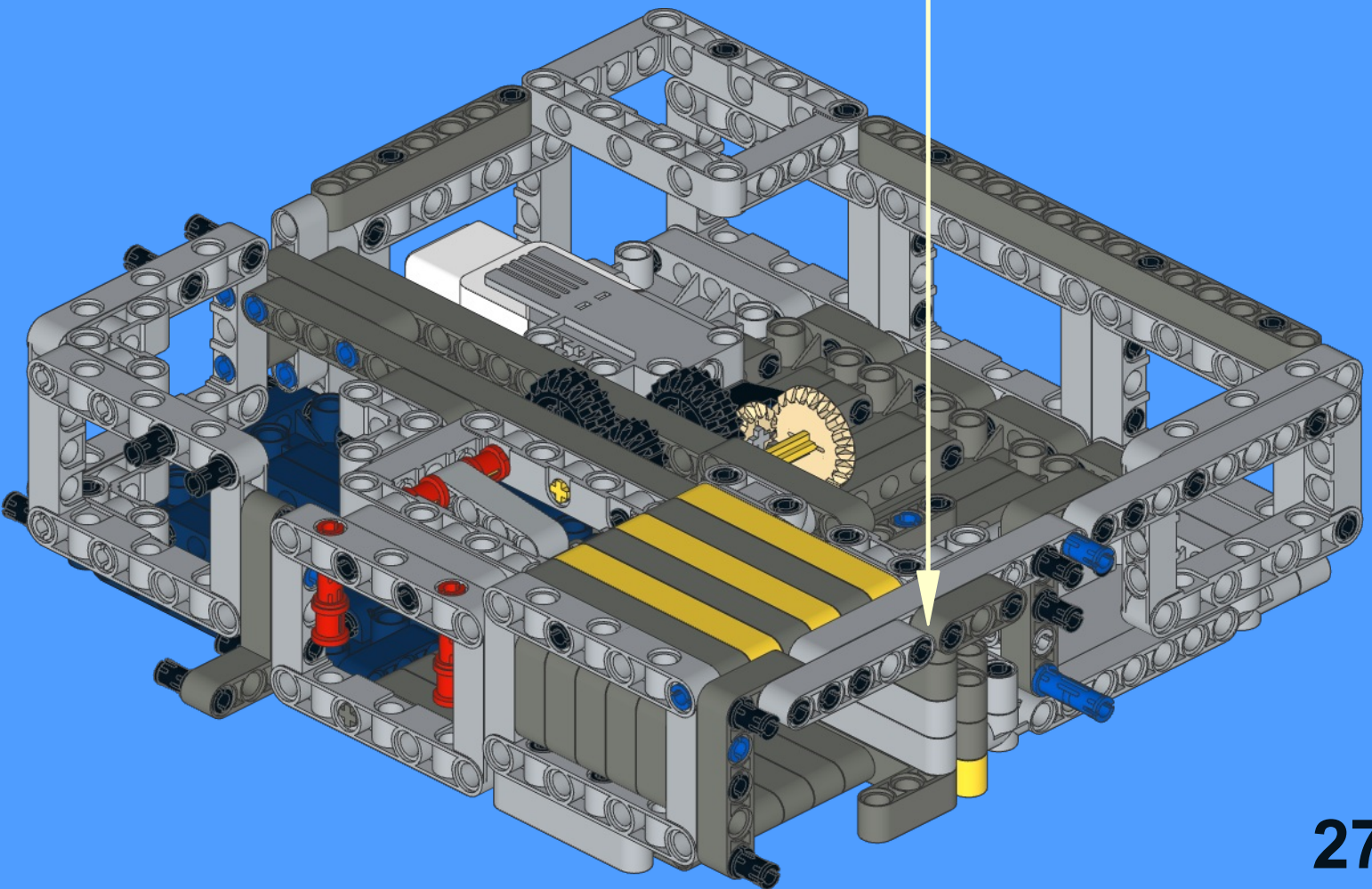
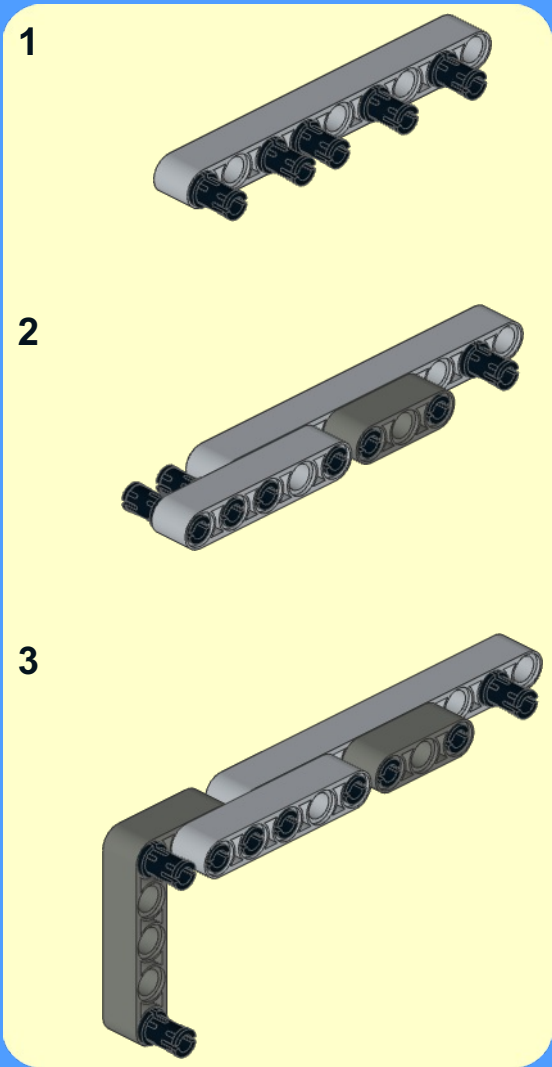
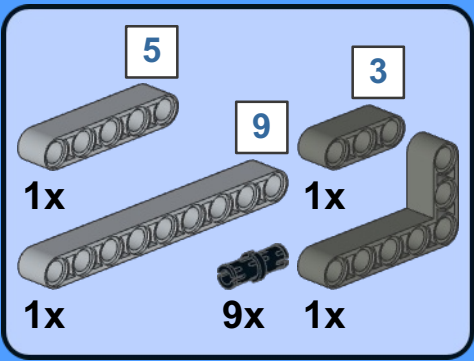
10



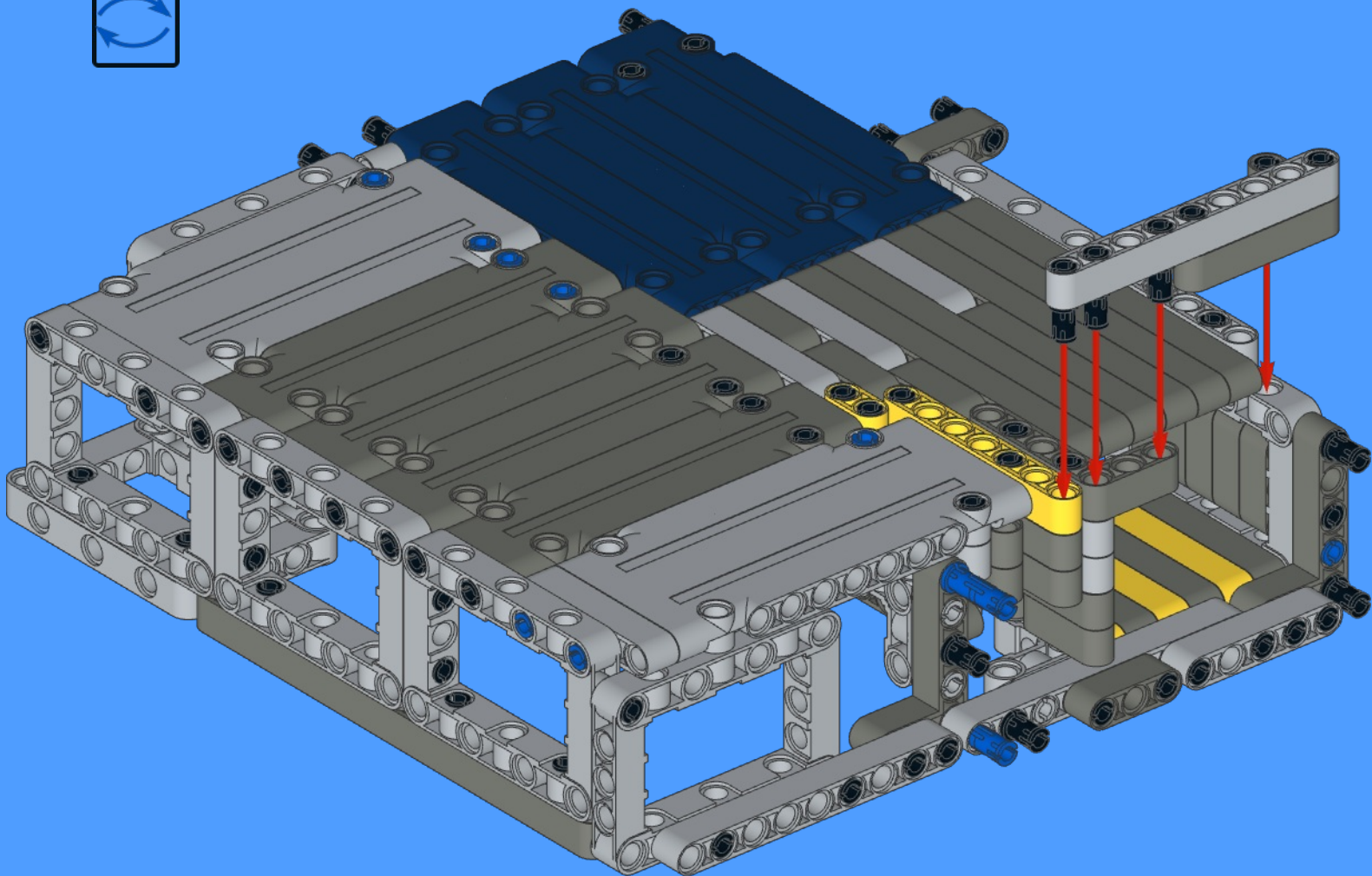
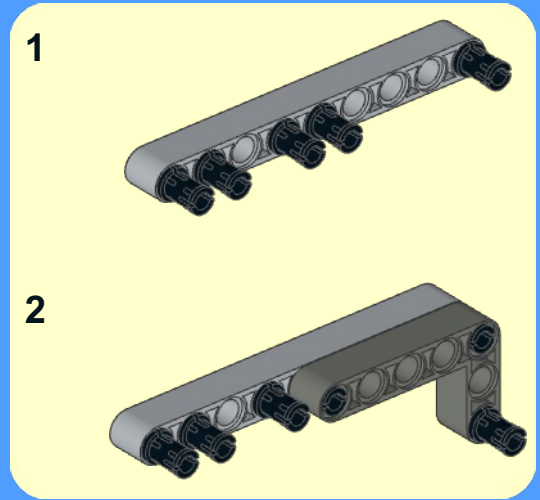
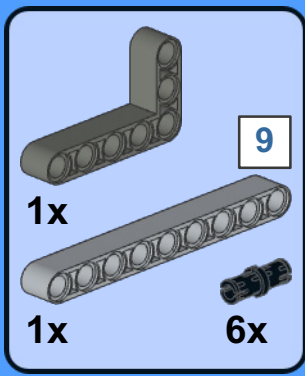




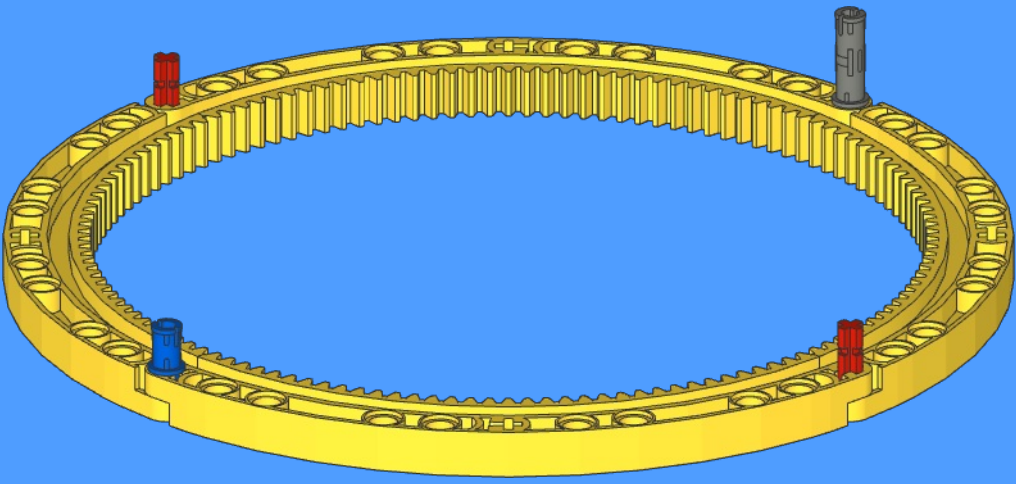
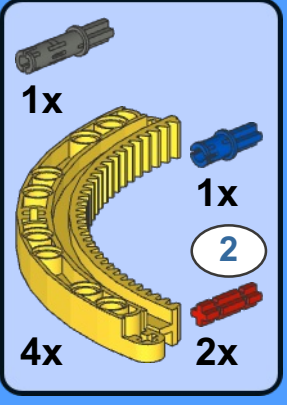
19



20



1

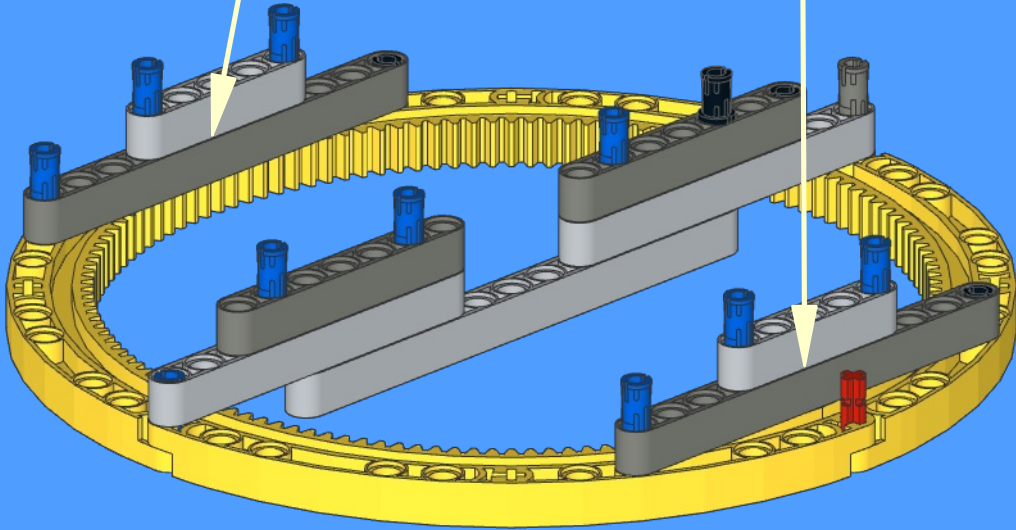
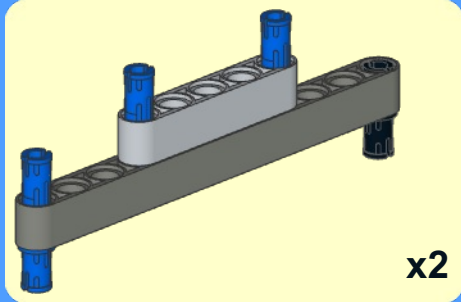
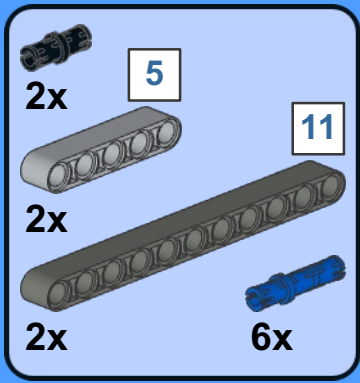


2

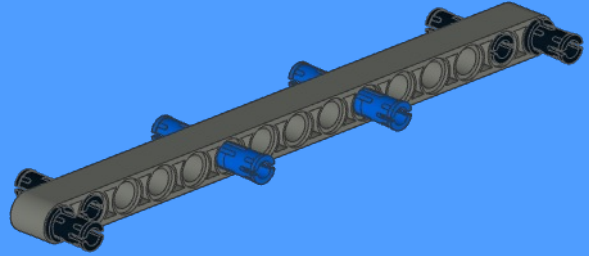
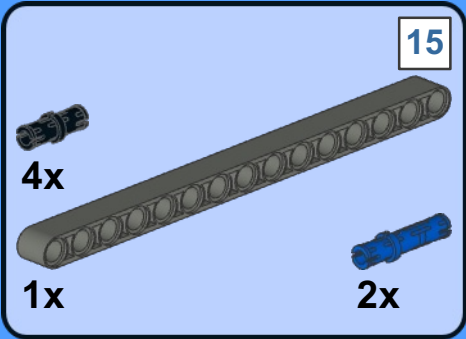
6x **7**
2x **9**
2x **13**
1x **3x**

1
2
3

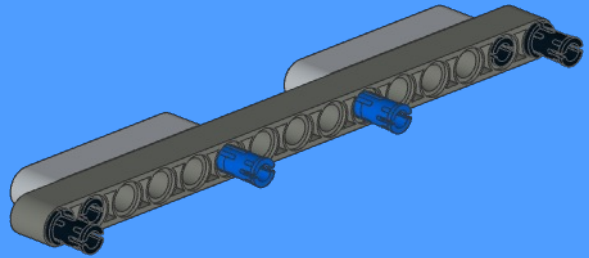
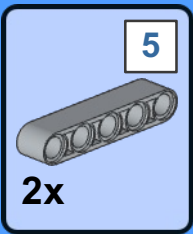
3



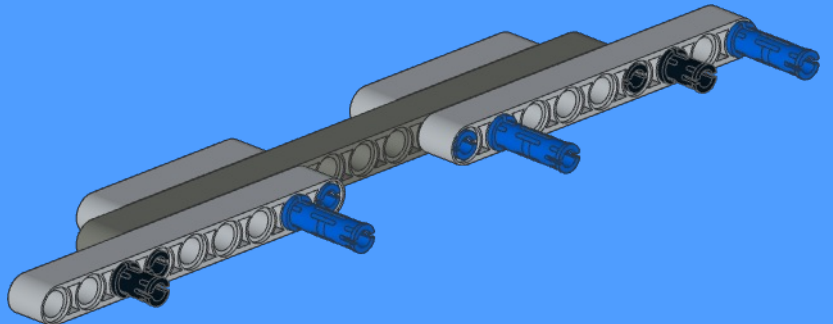
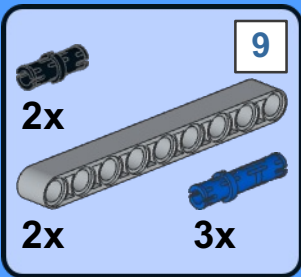
1



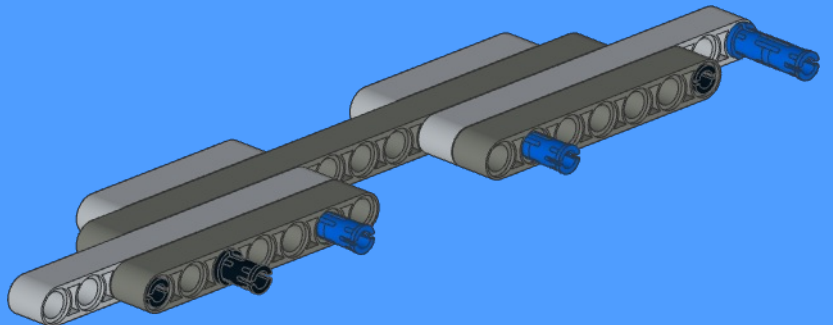
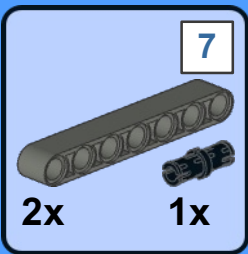
2

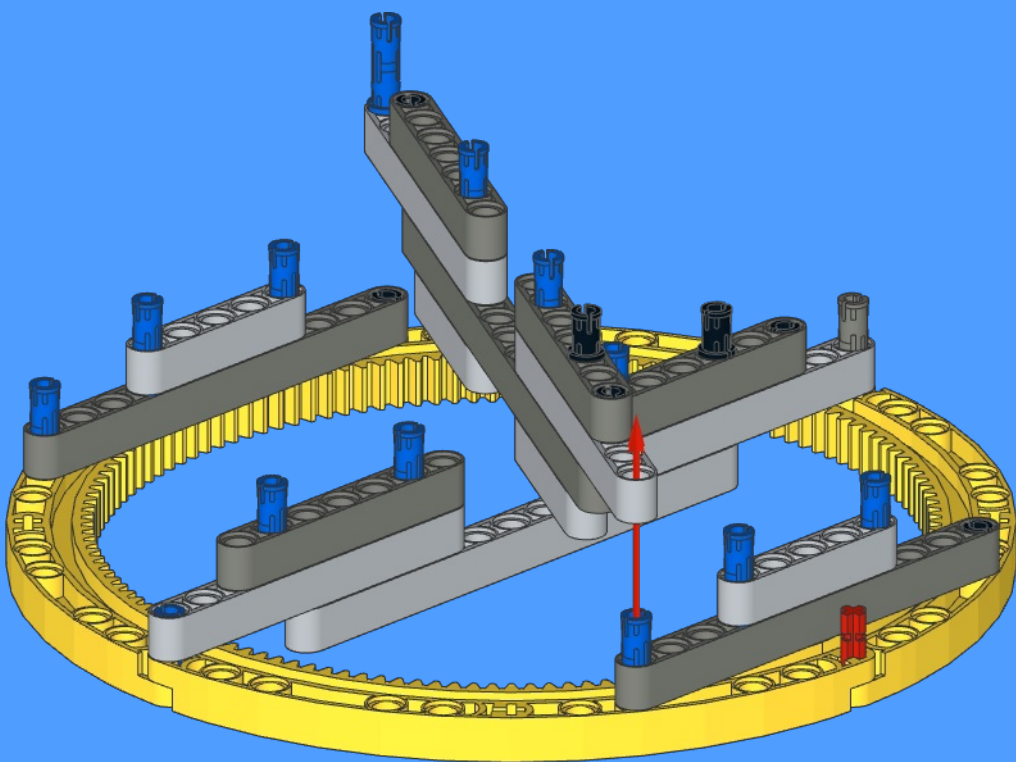


3

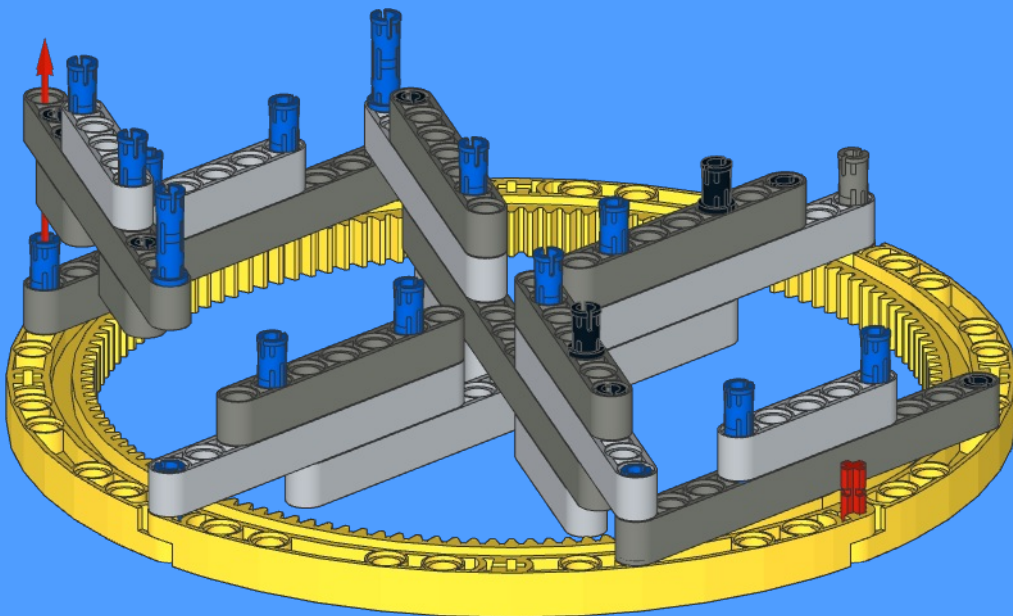
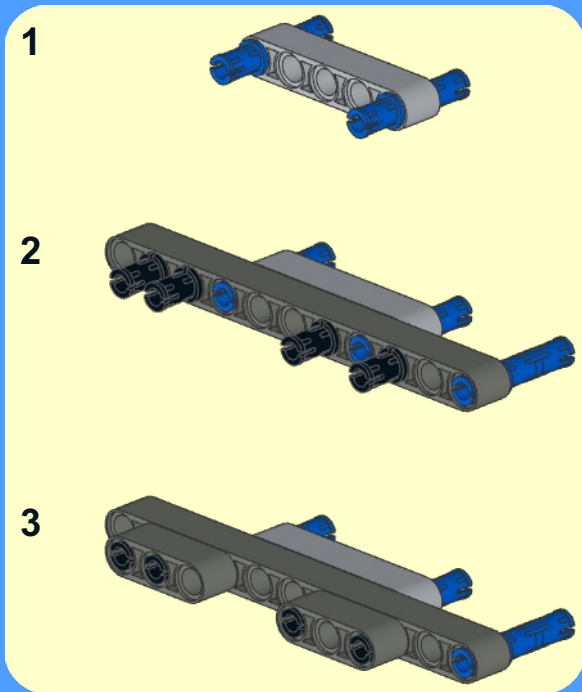
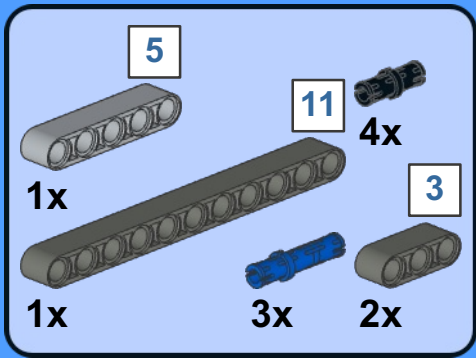


4

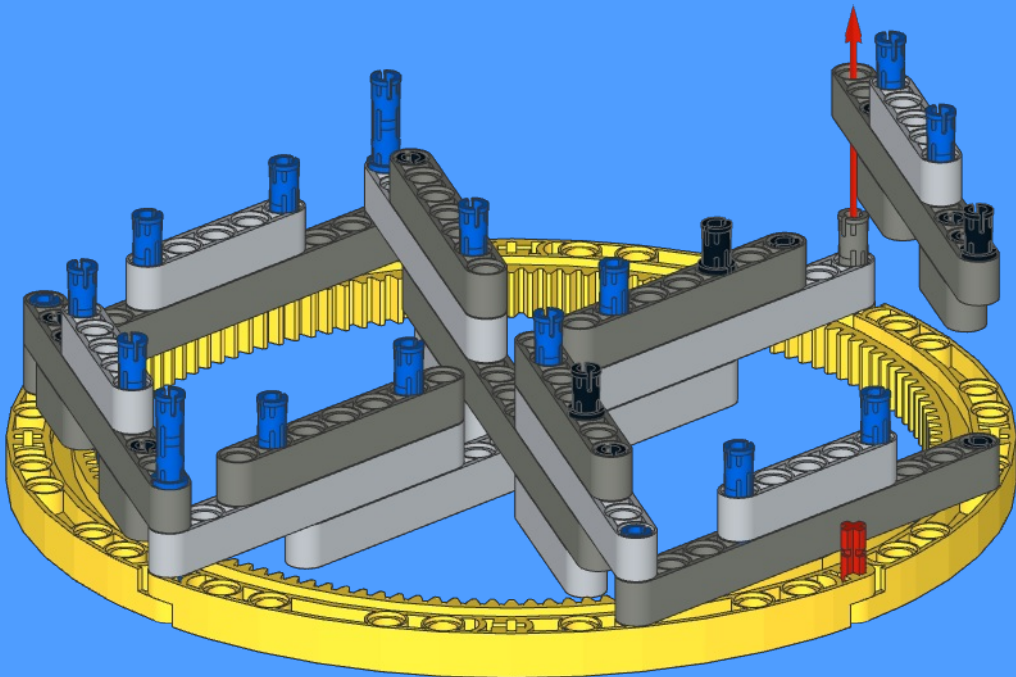
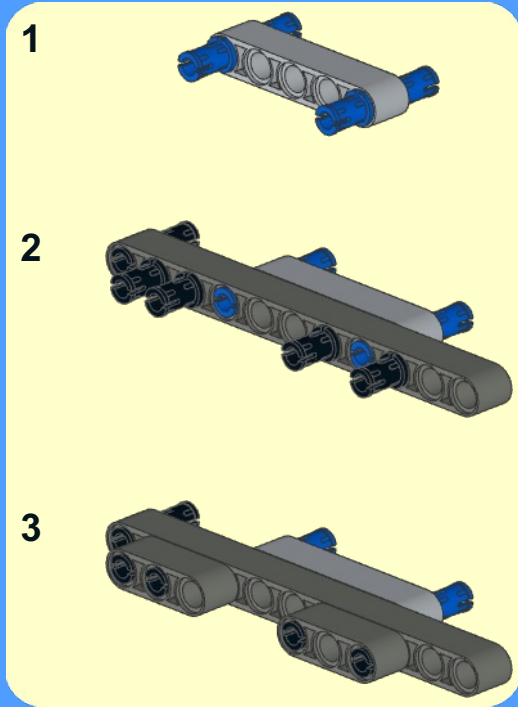
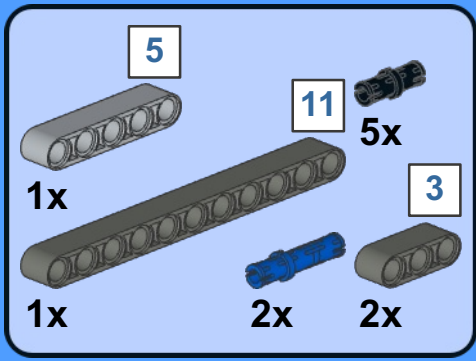




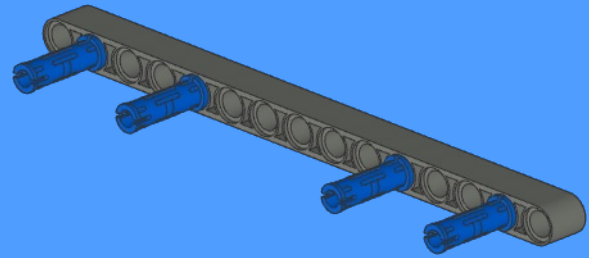
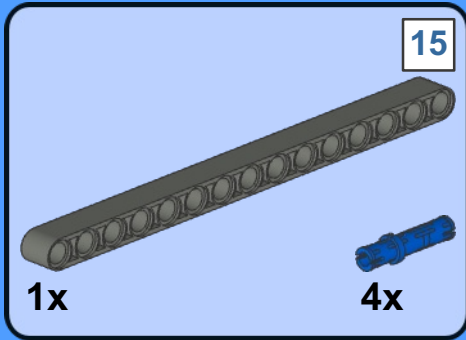
5



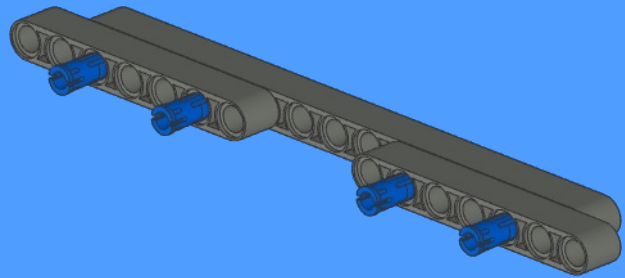
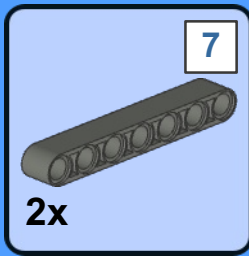
6



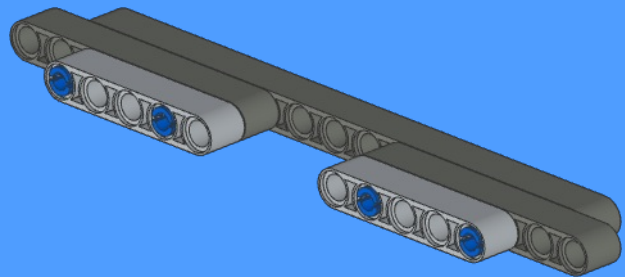
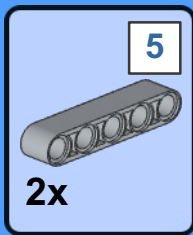
1




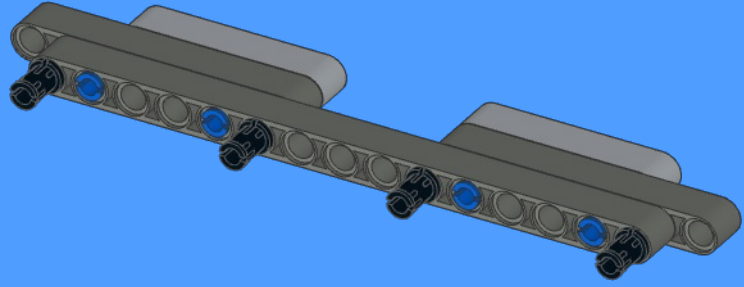
2


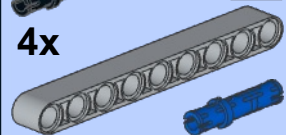



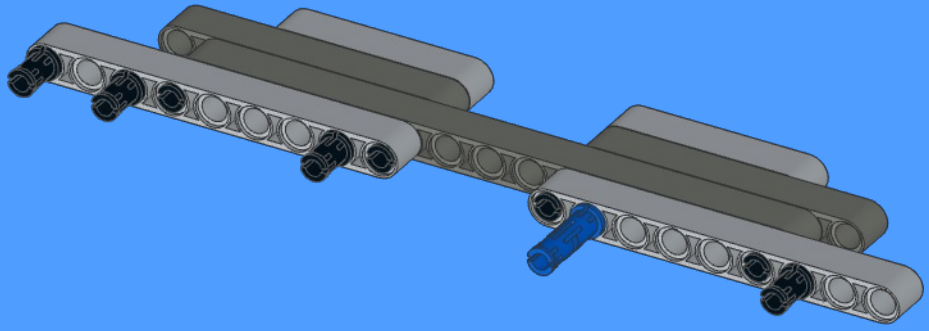
3

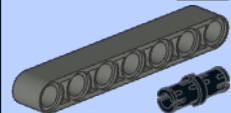



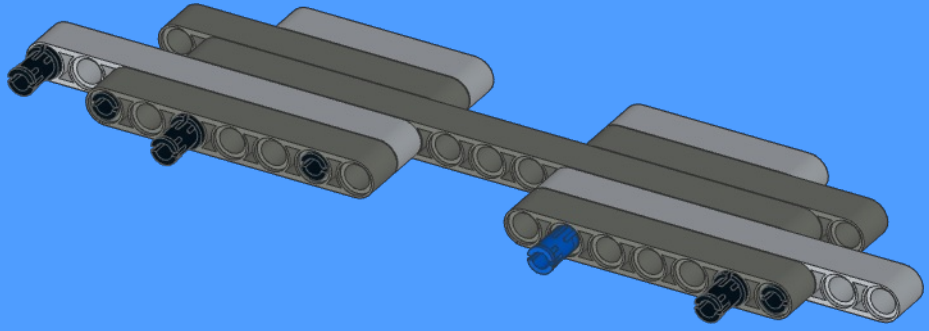
4  4x

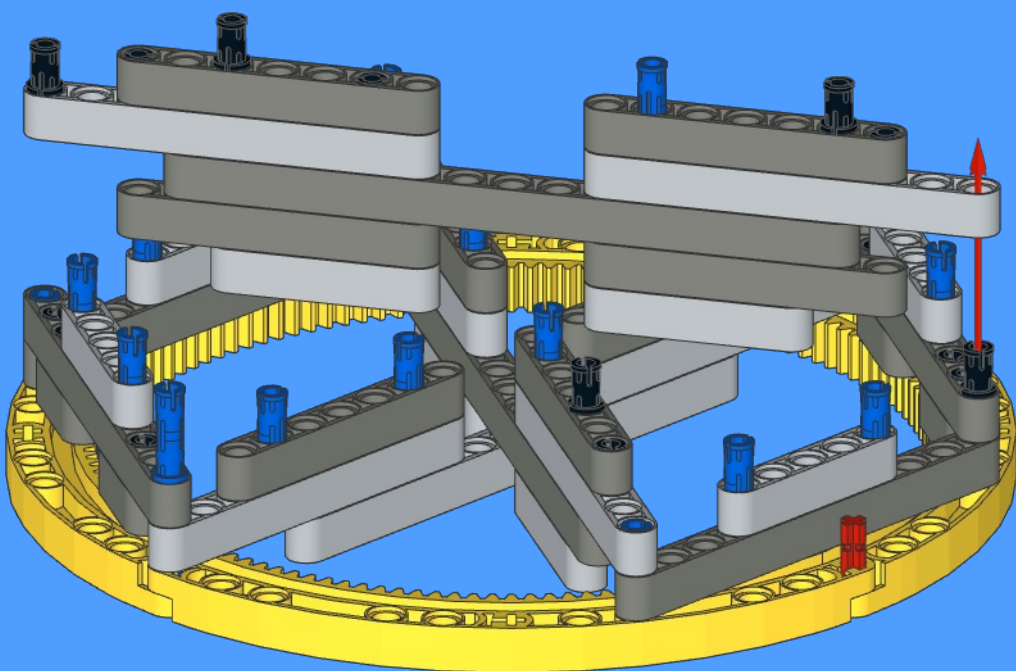


5  4x  2x  1x 9

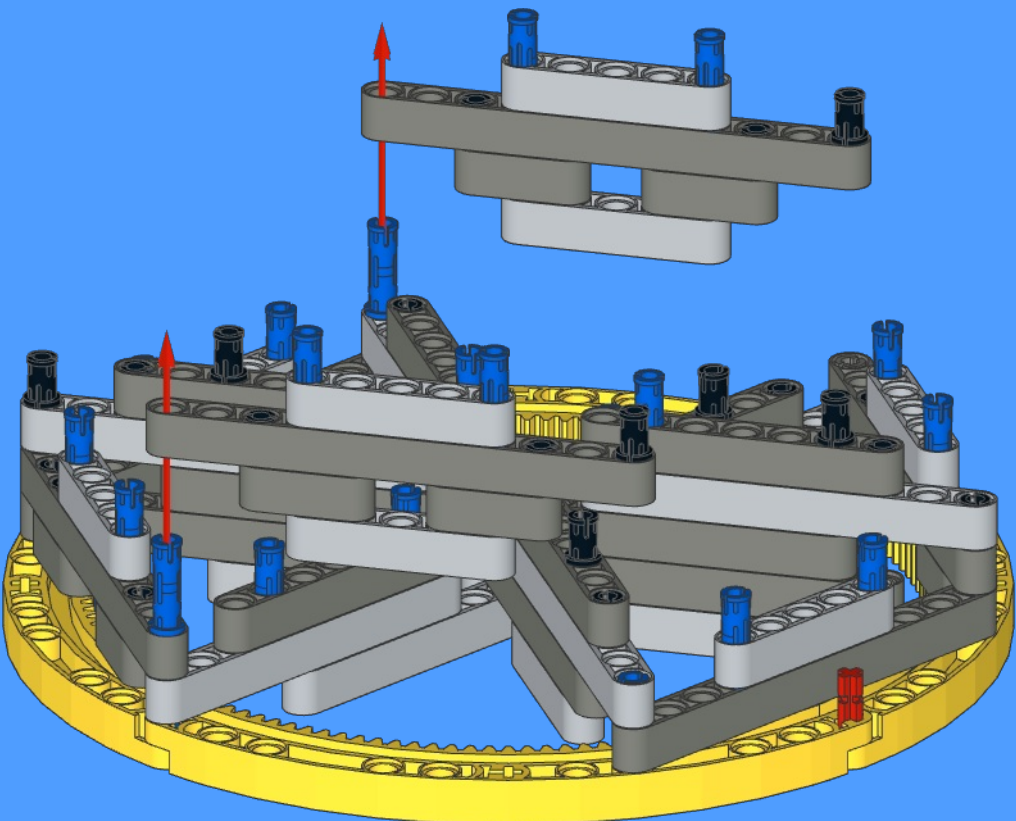
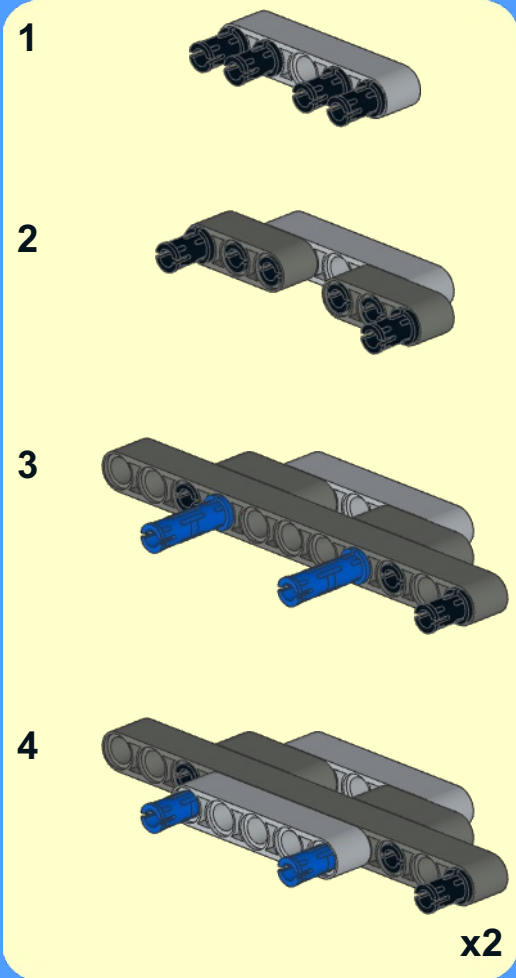
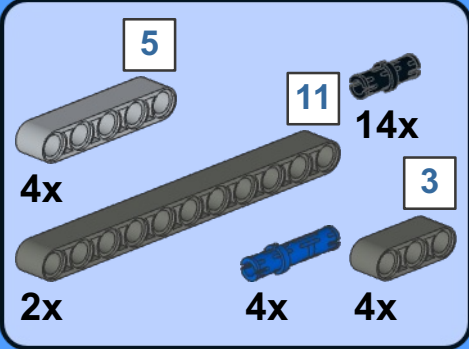


6  2x  2x 7





8



9

6x 7

2x 9

2x 15

1x 15

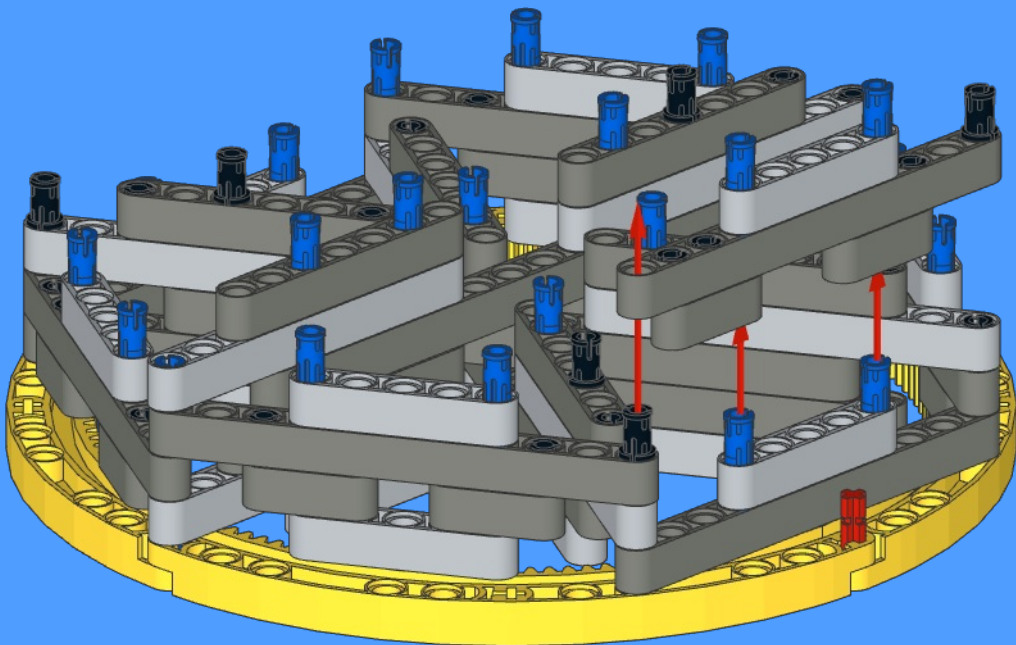
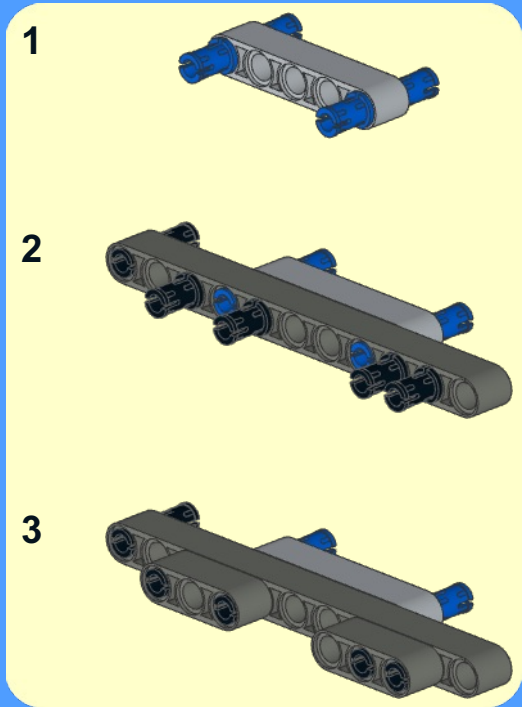
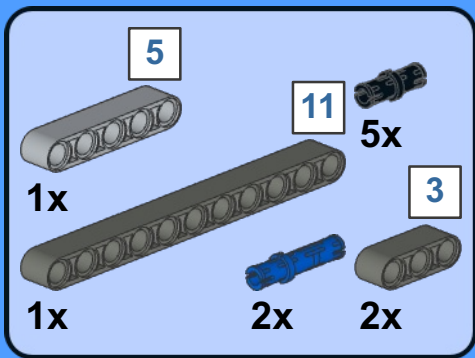
3x

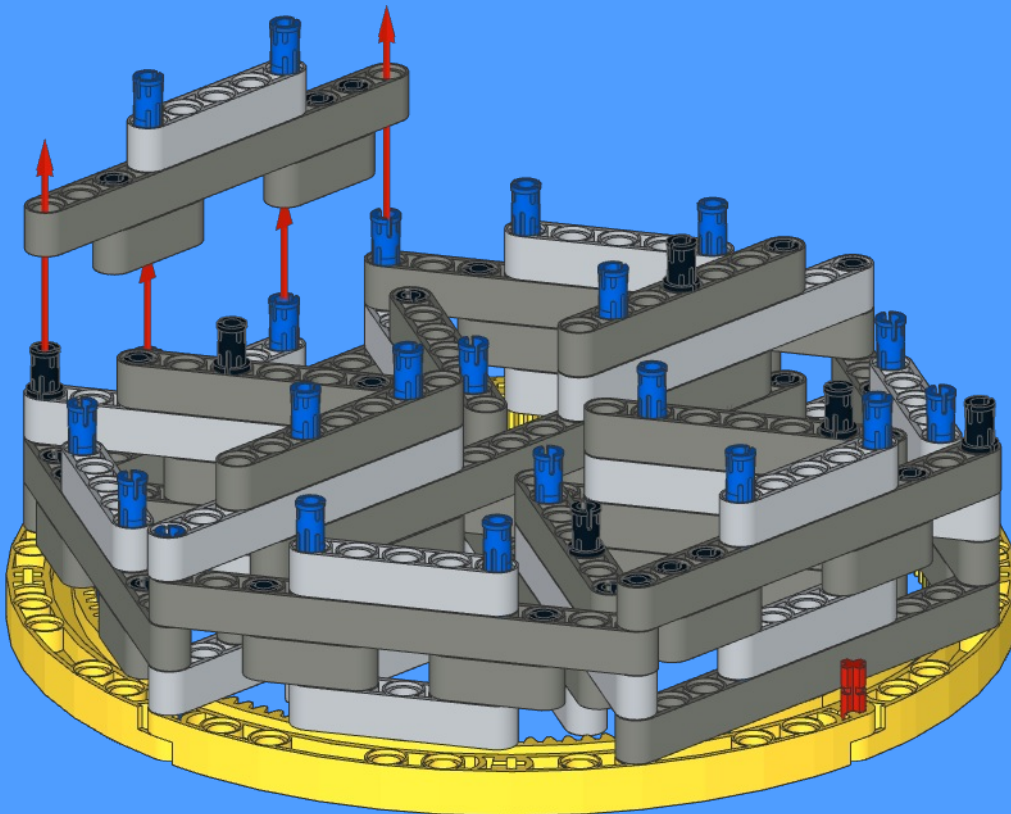
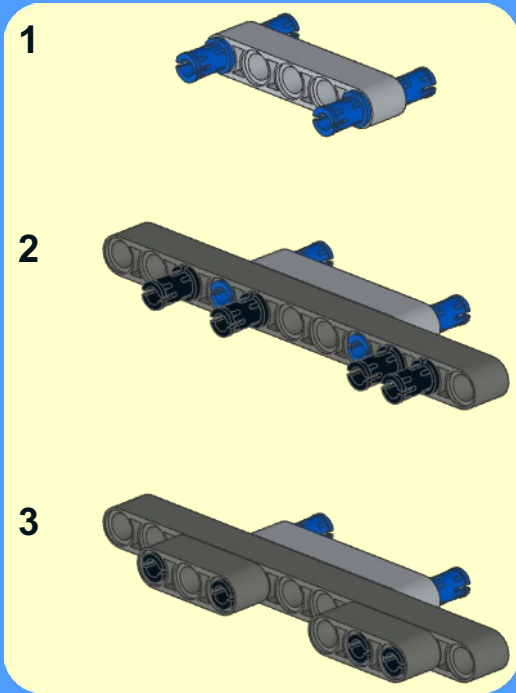
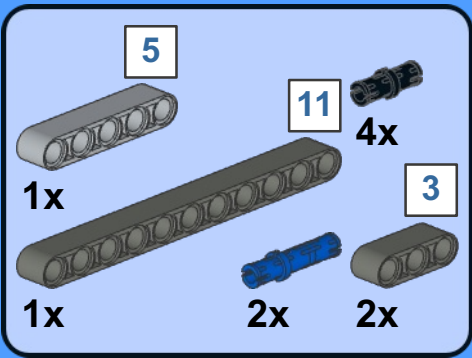
1

2

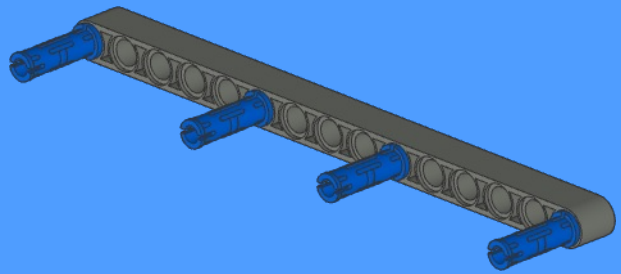
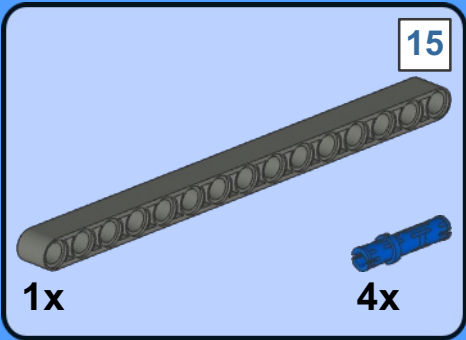
3

10

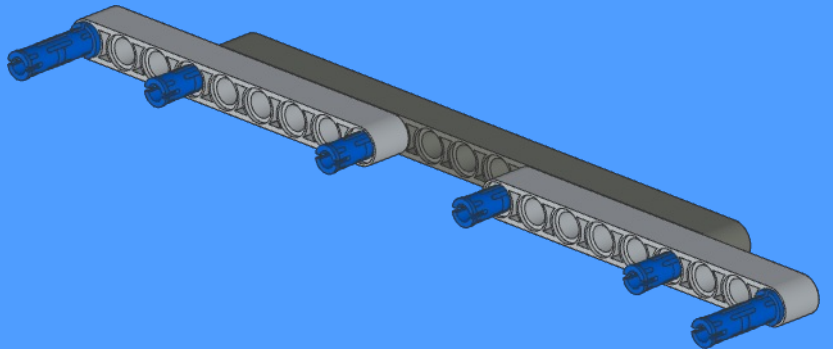
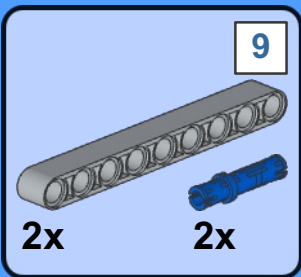




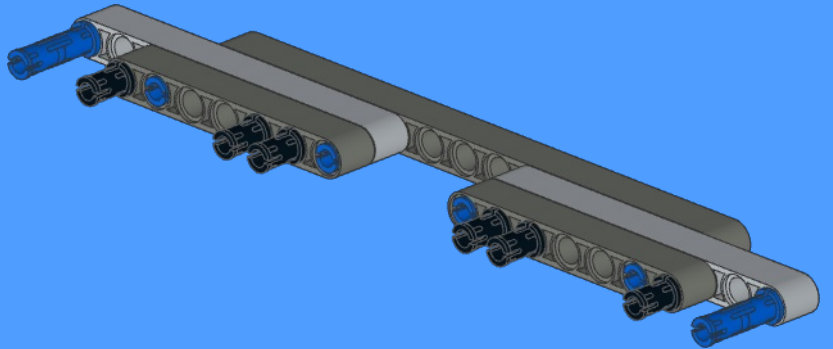
1



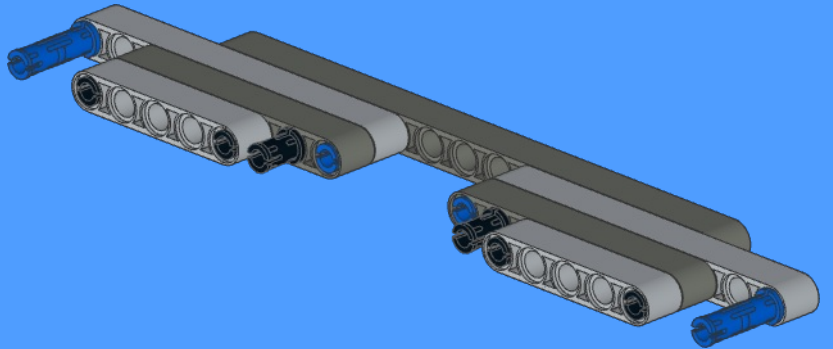
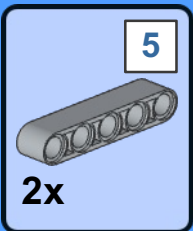
2

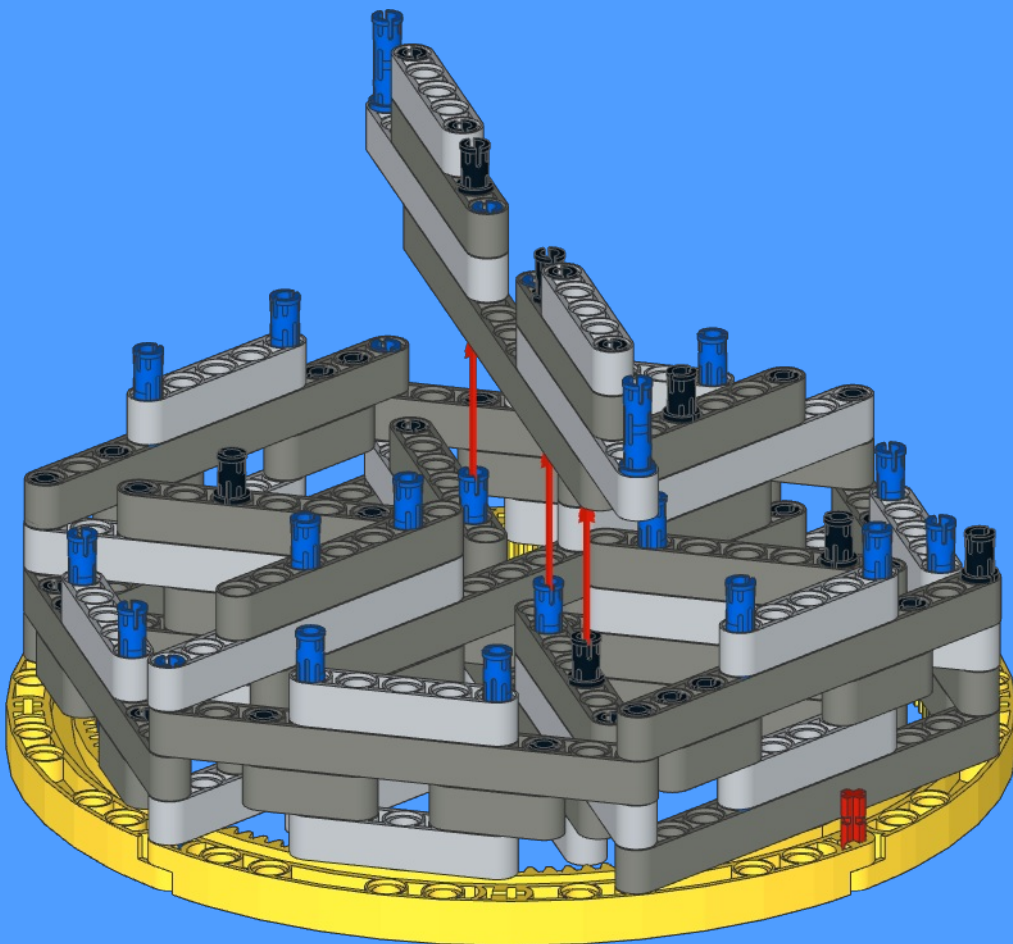


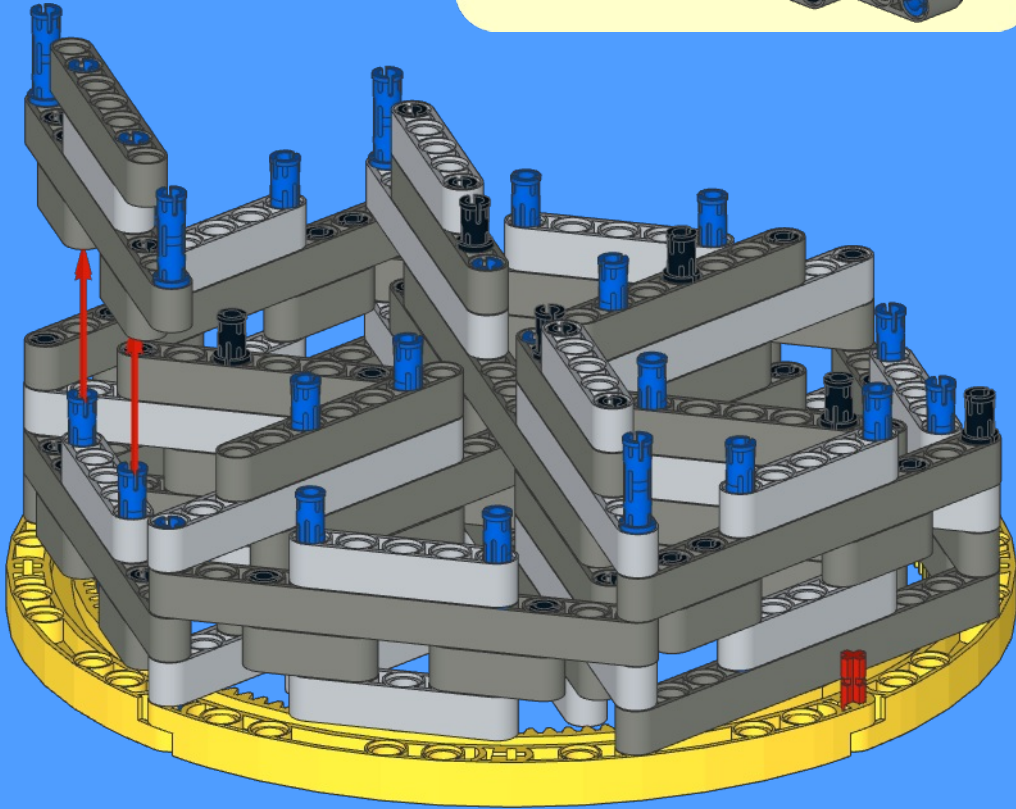
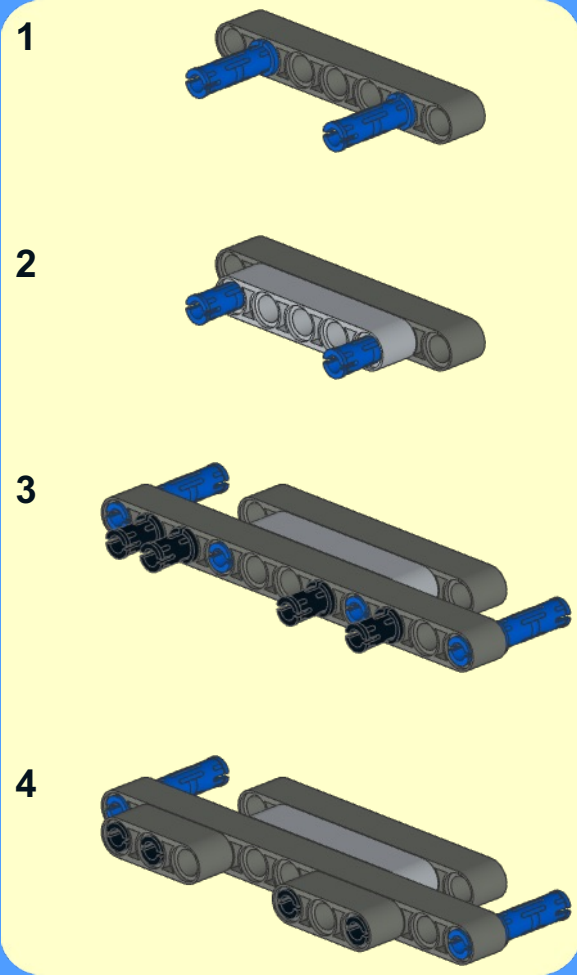
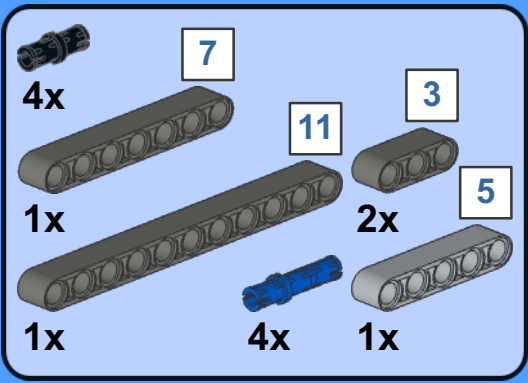
3

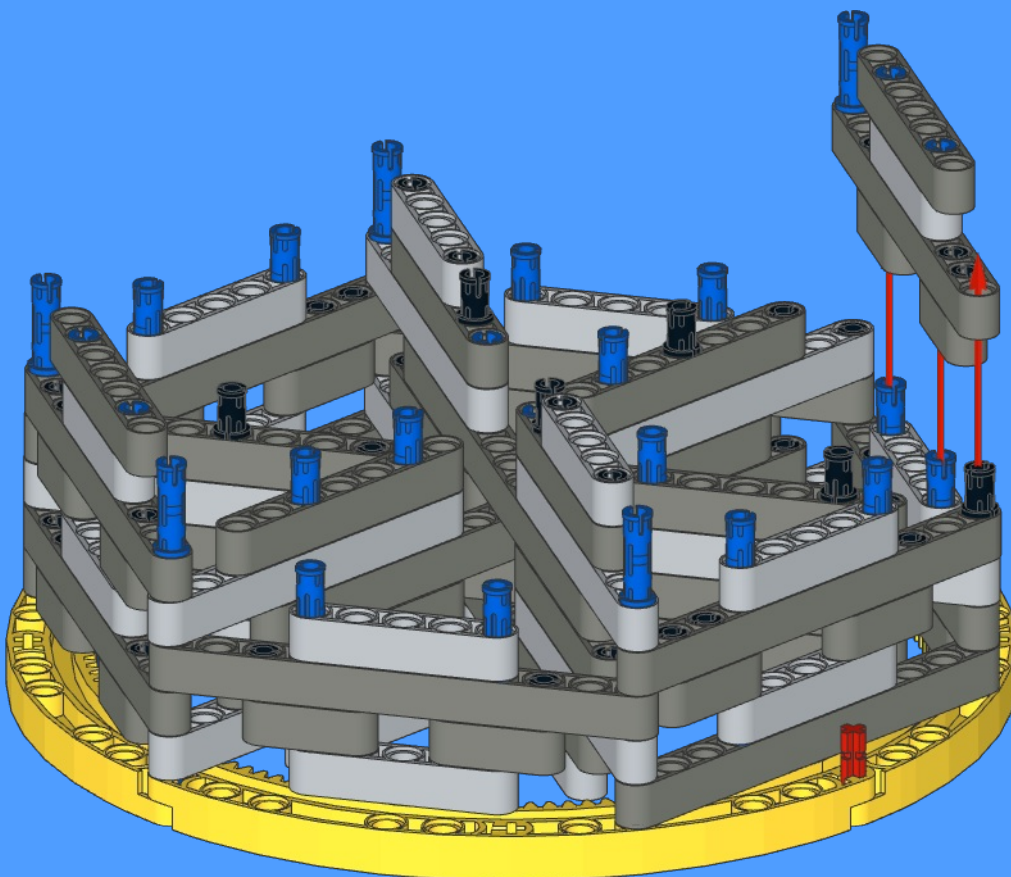
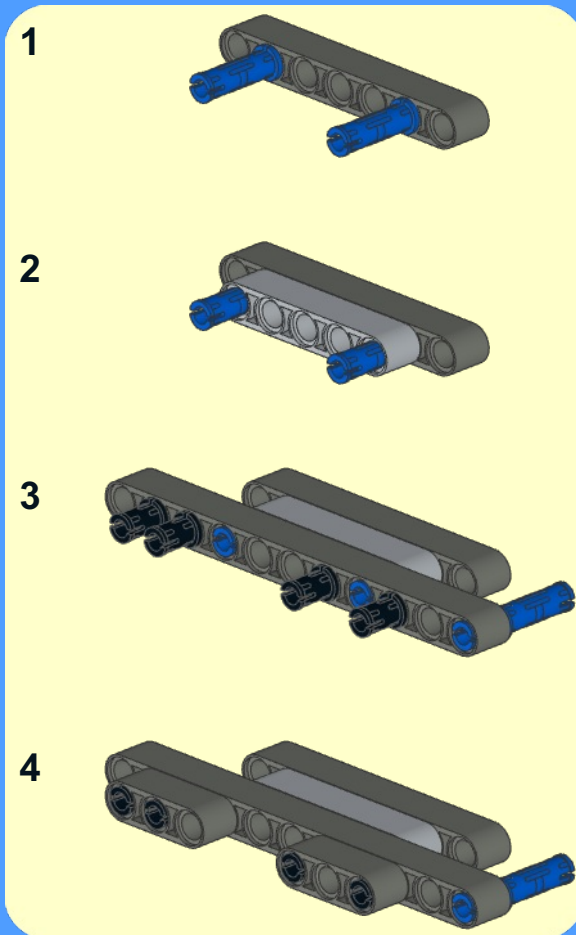
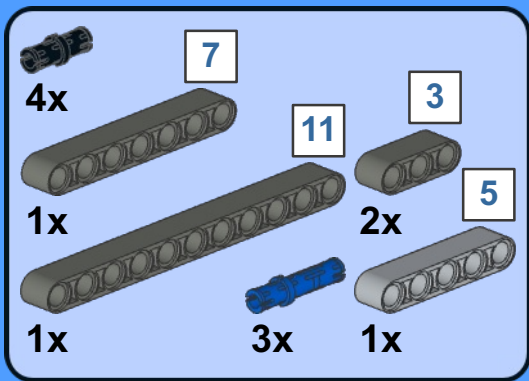


4

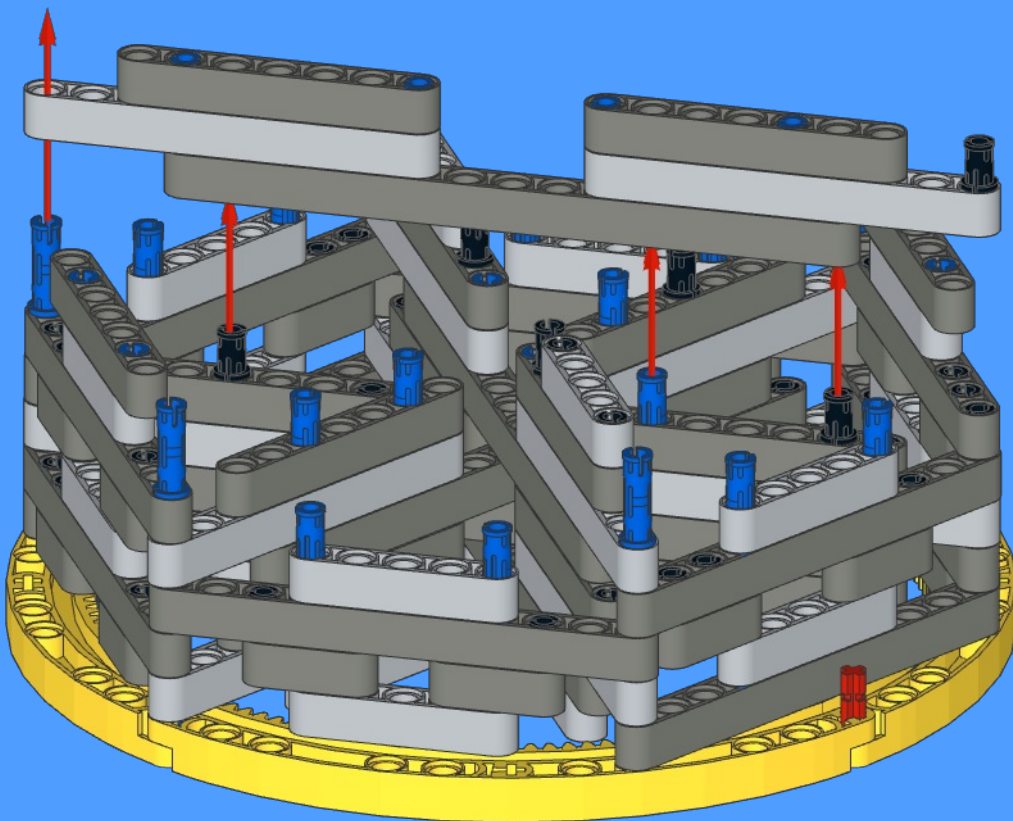
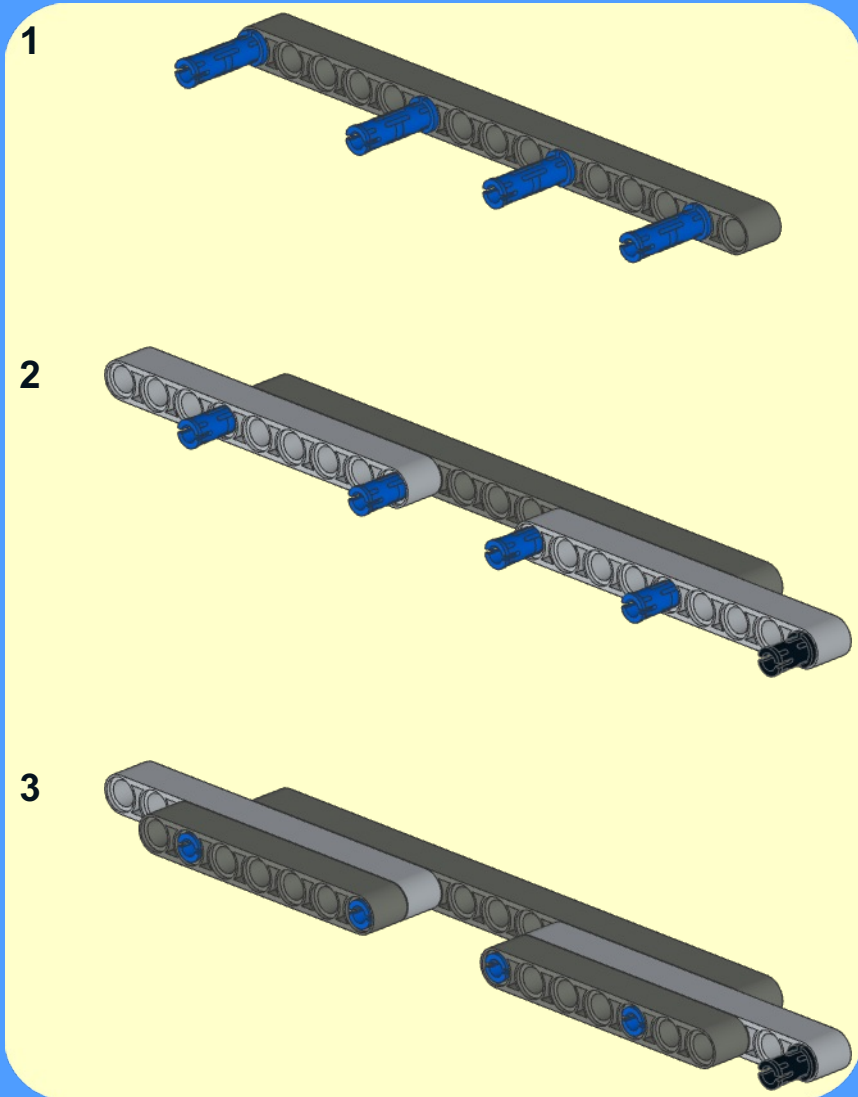
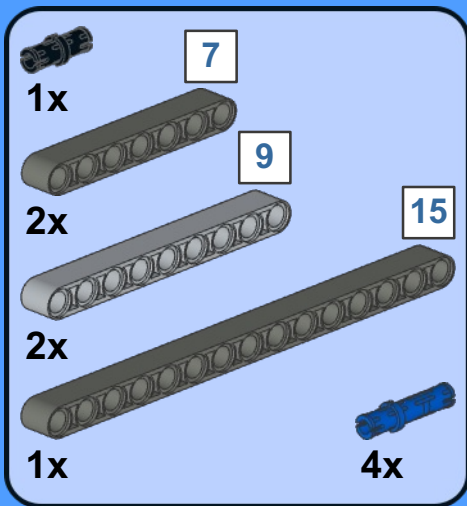




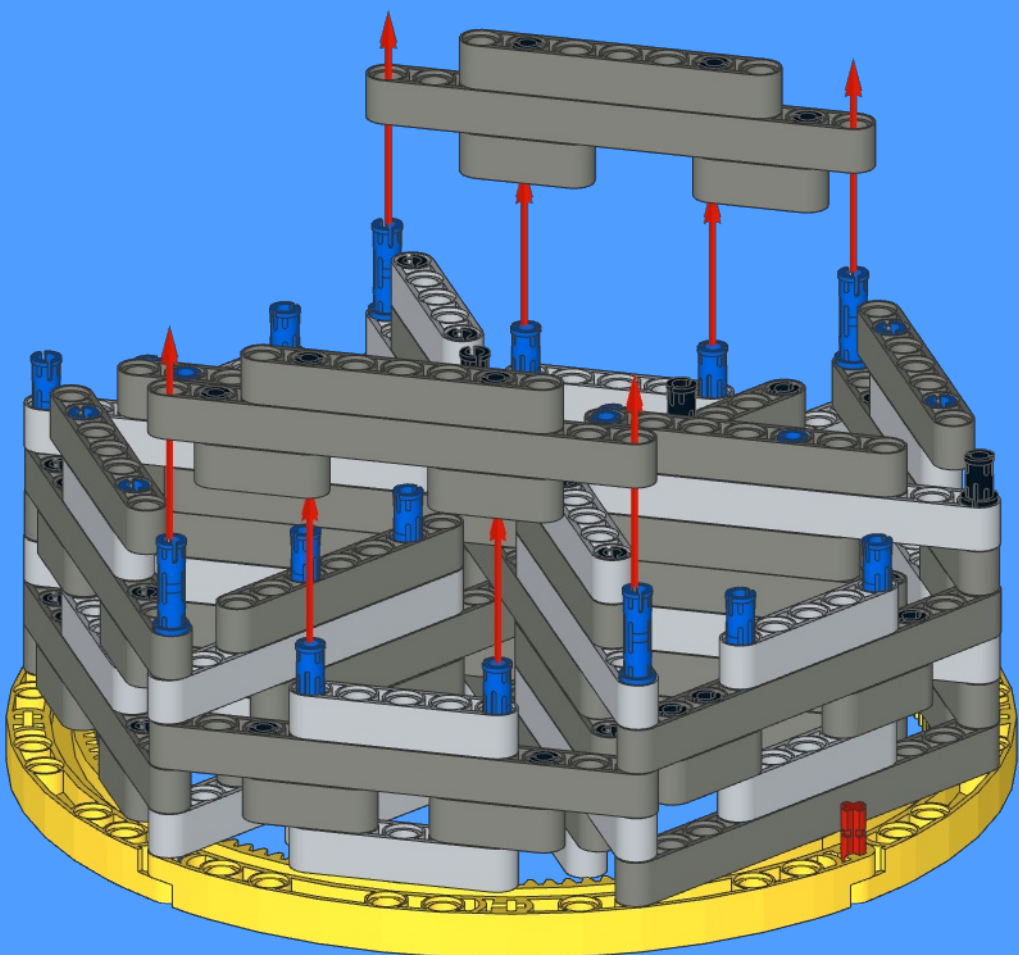
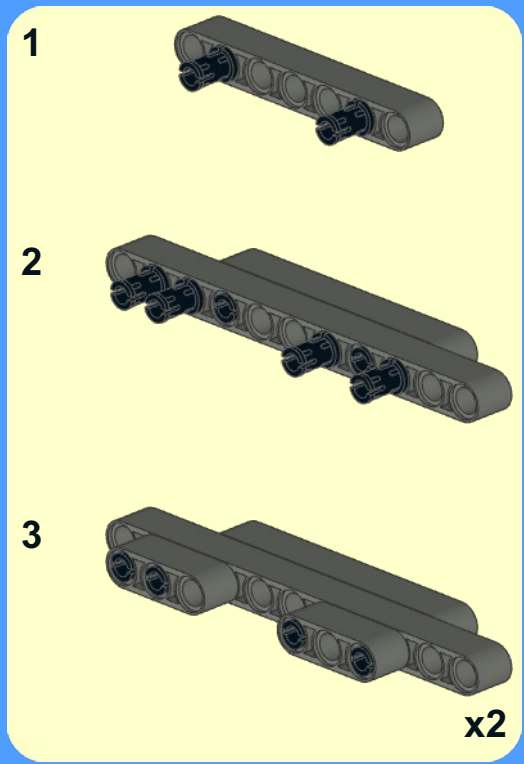
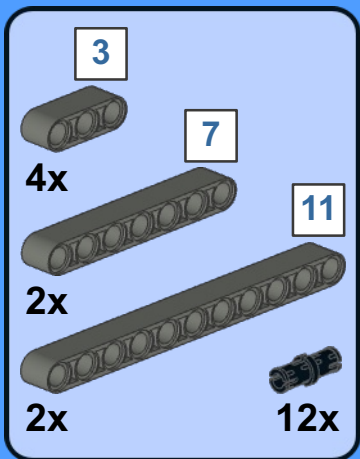


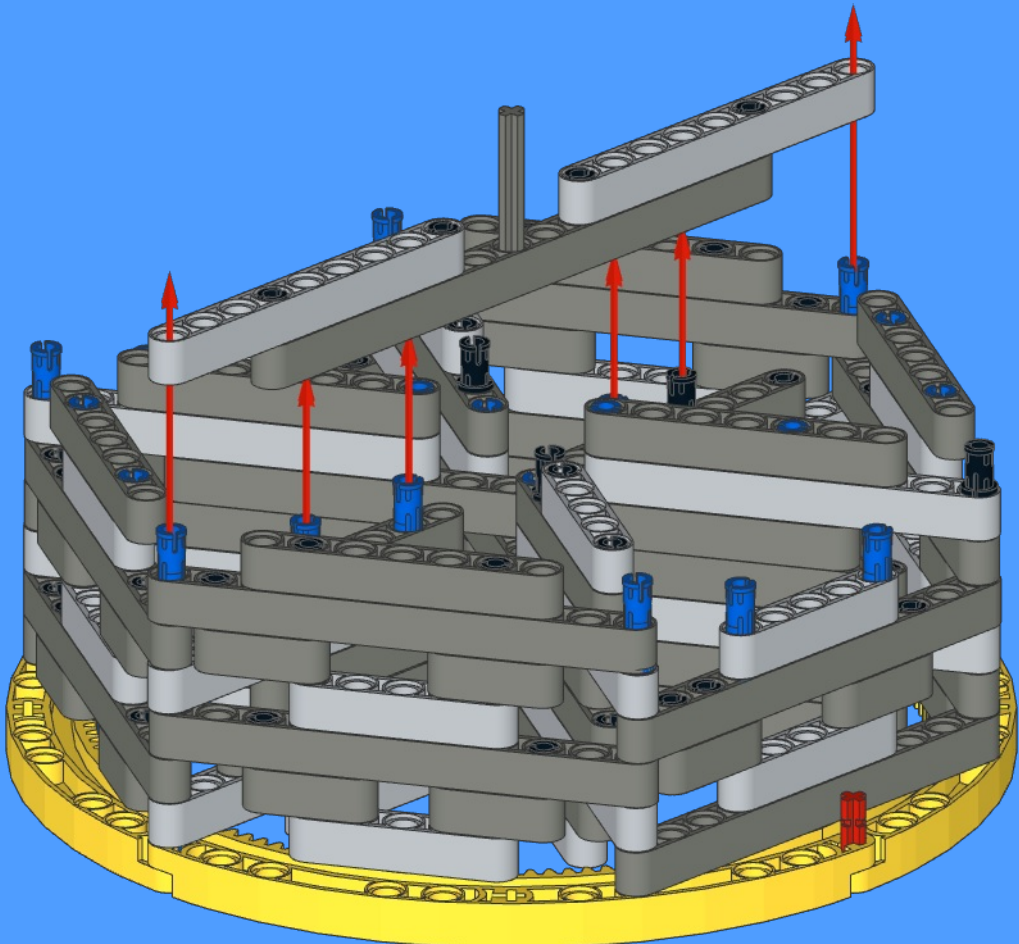
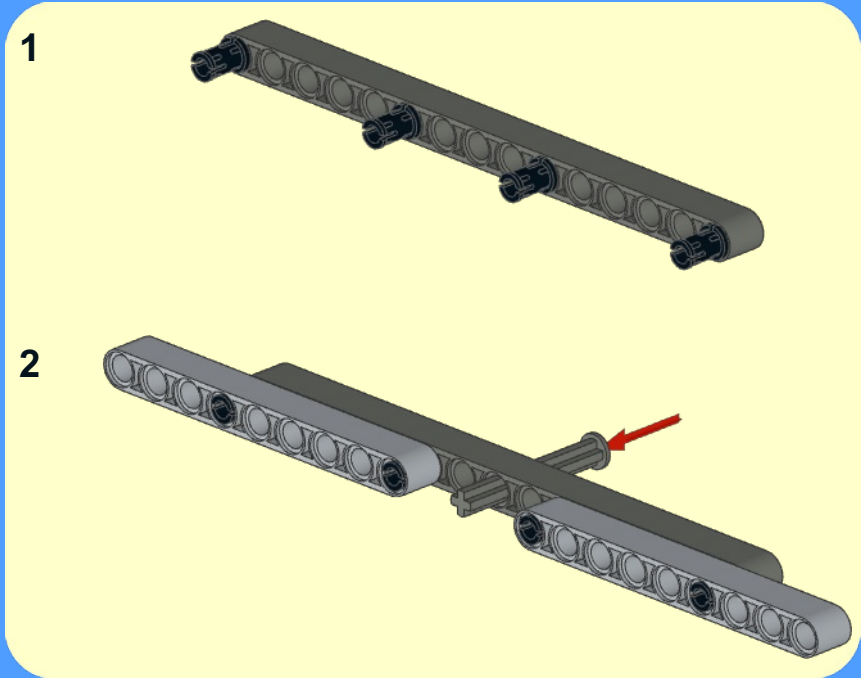
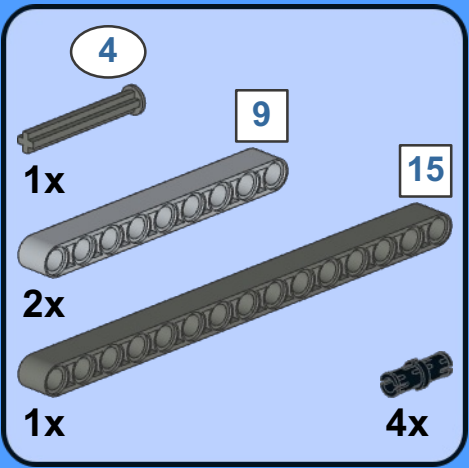


15

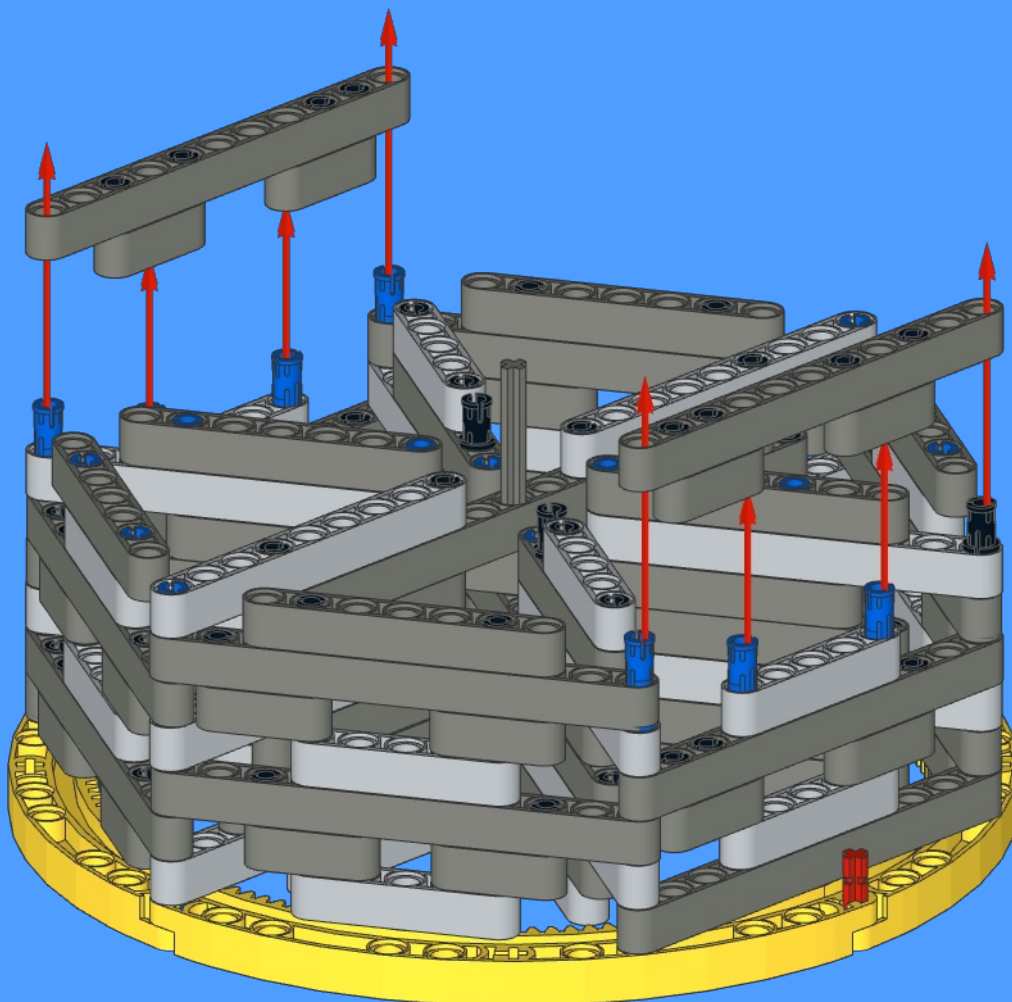
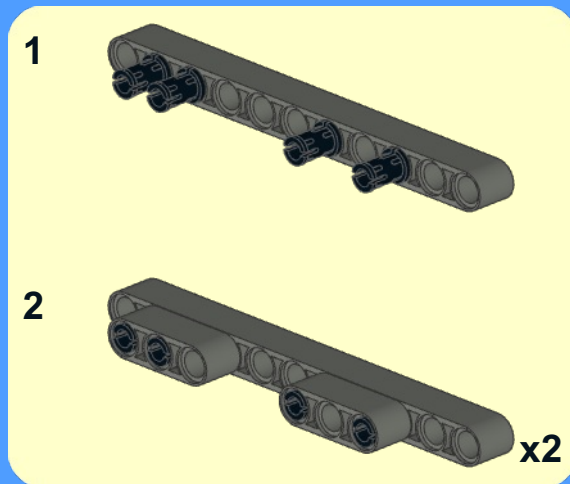
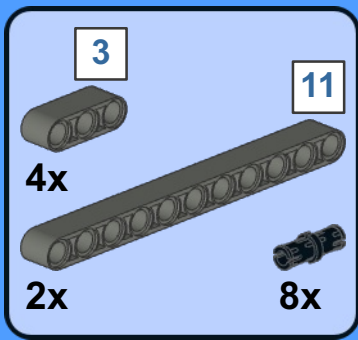


16

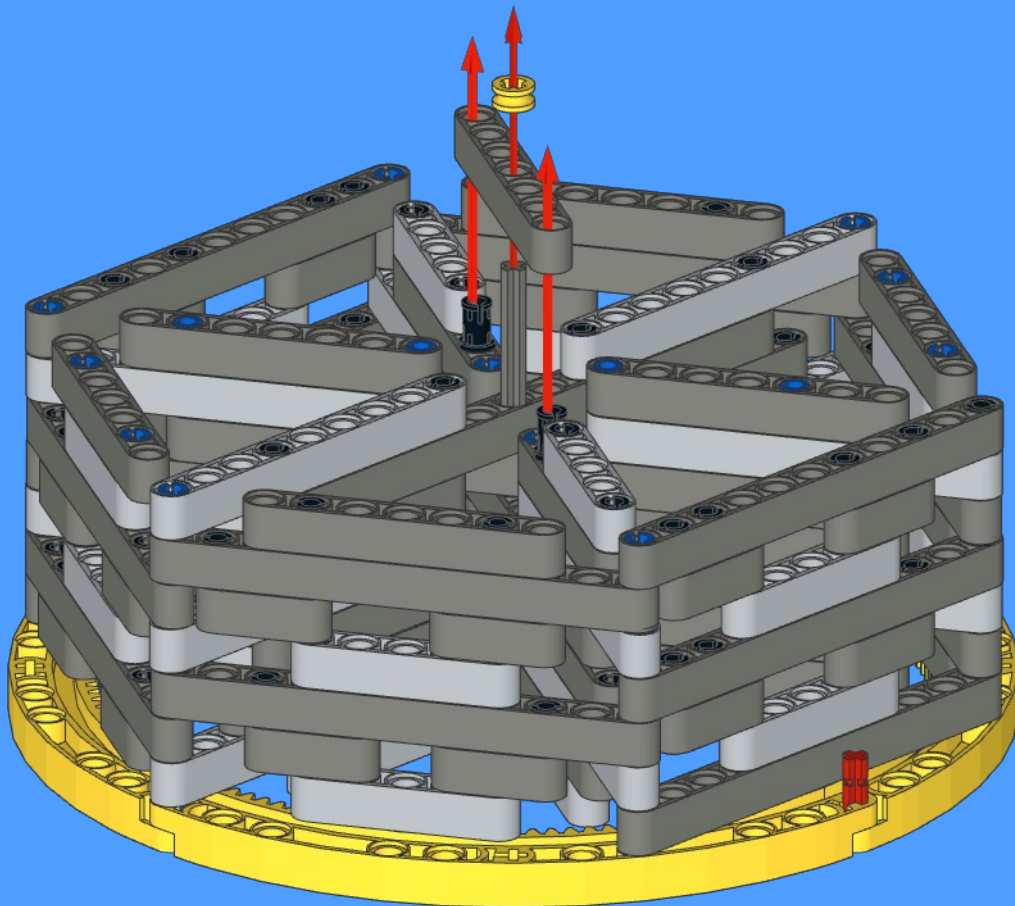
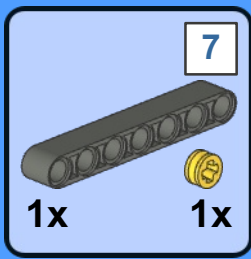




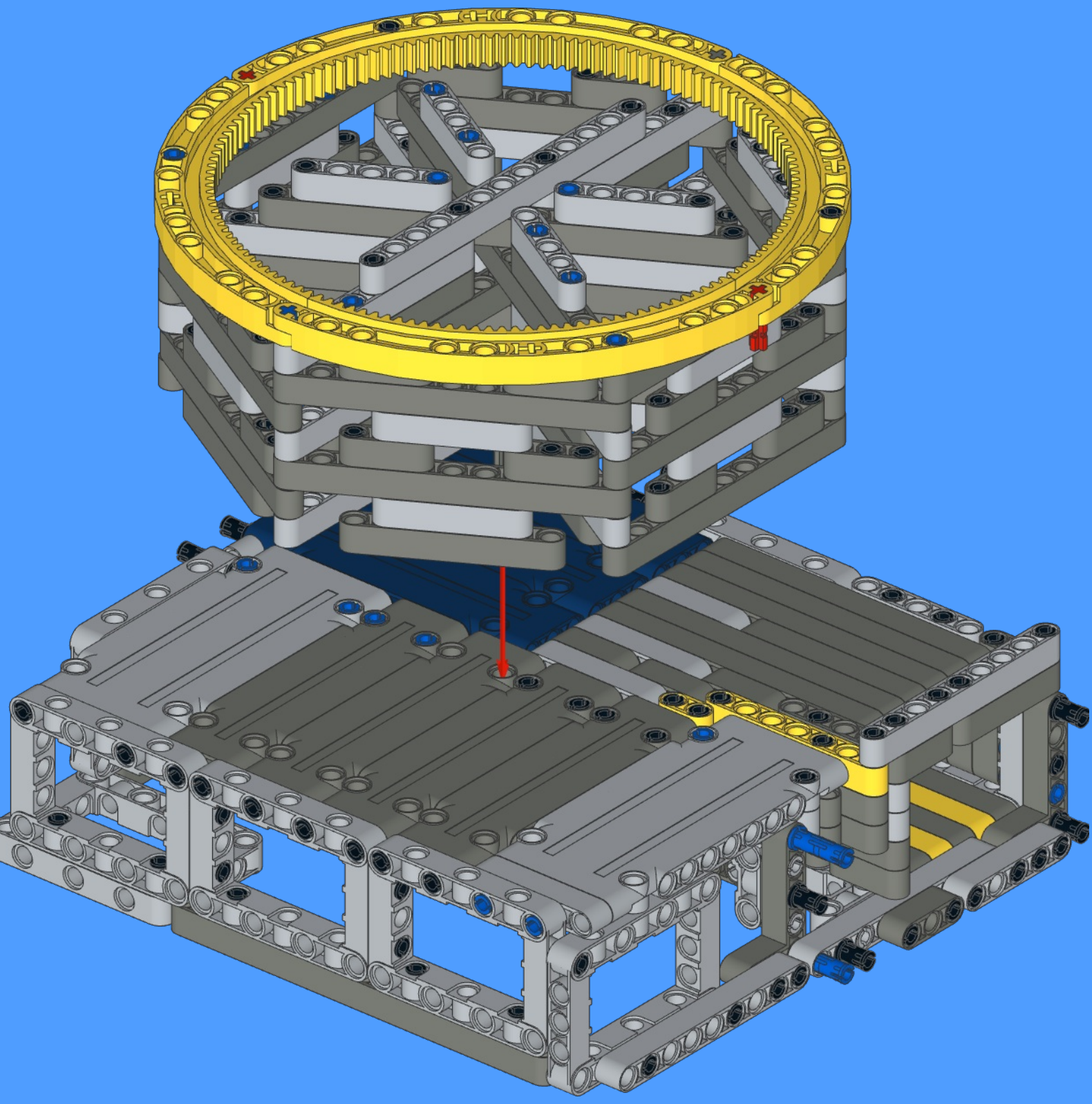
18



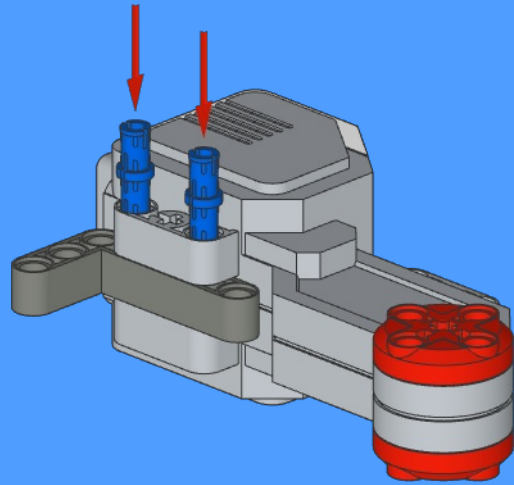
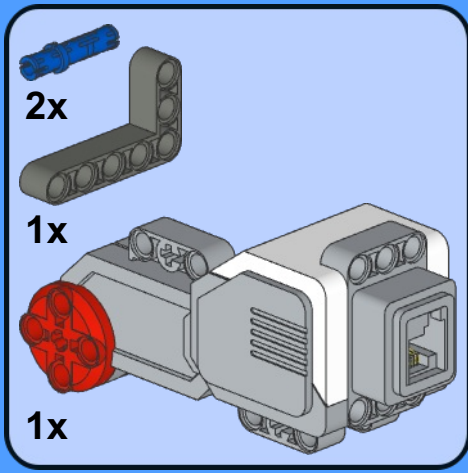
19



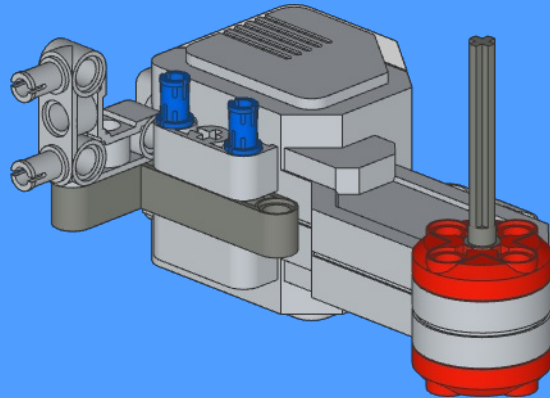
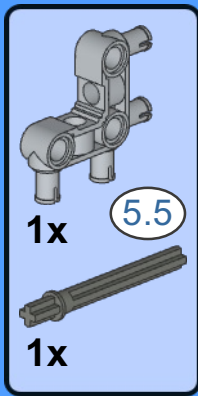
1



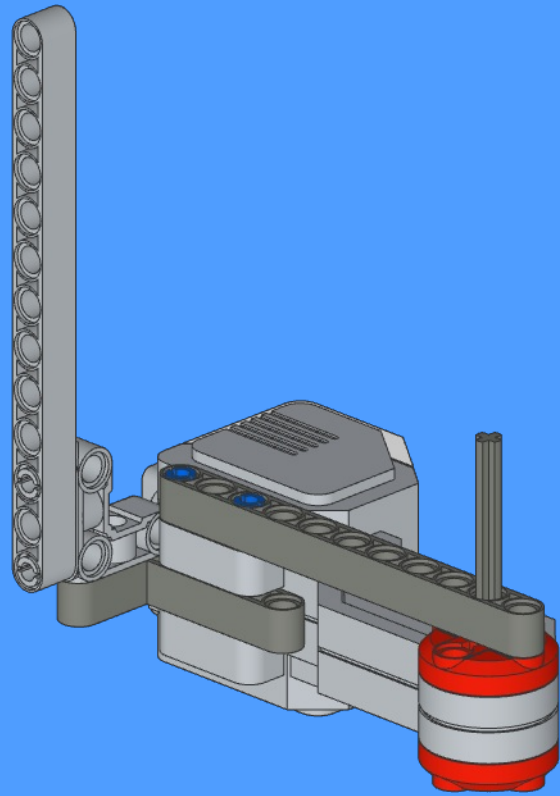
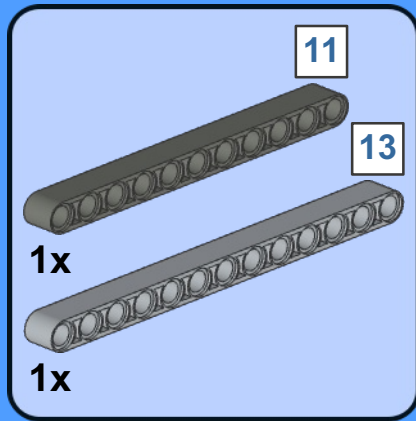
1



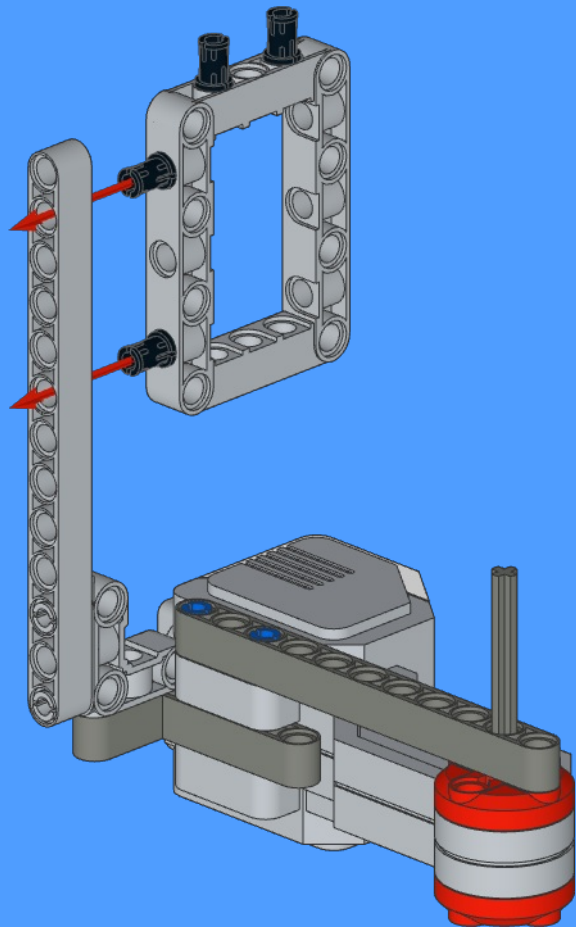
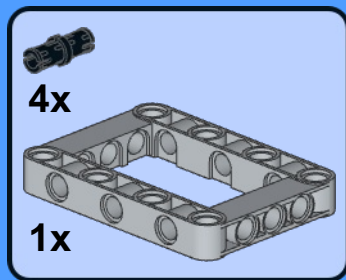
2



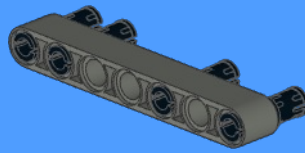
3



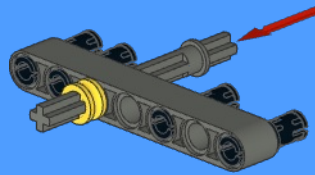
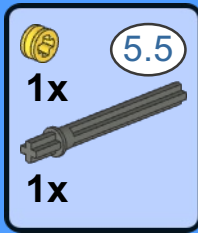
4



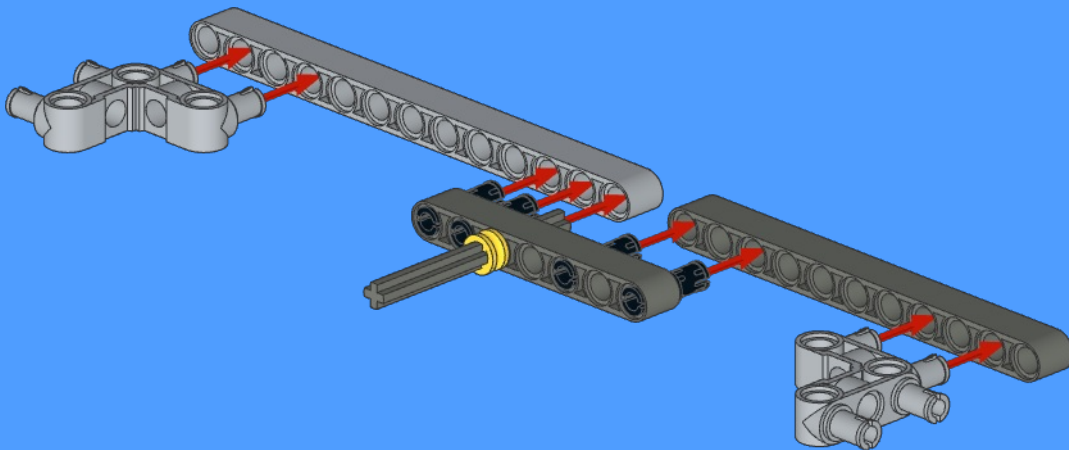
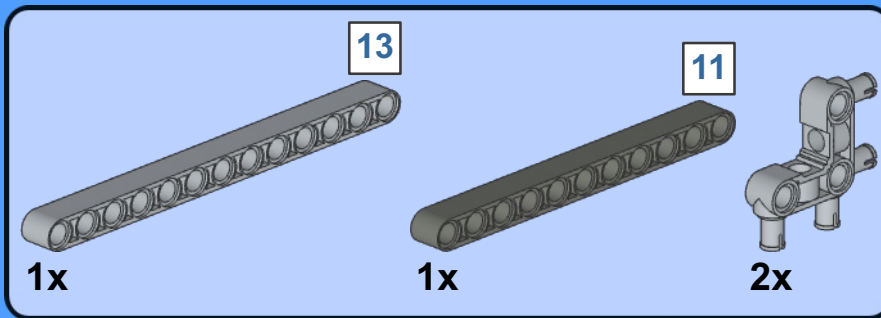
1



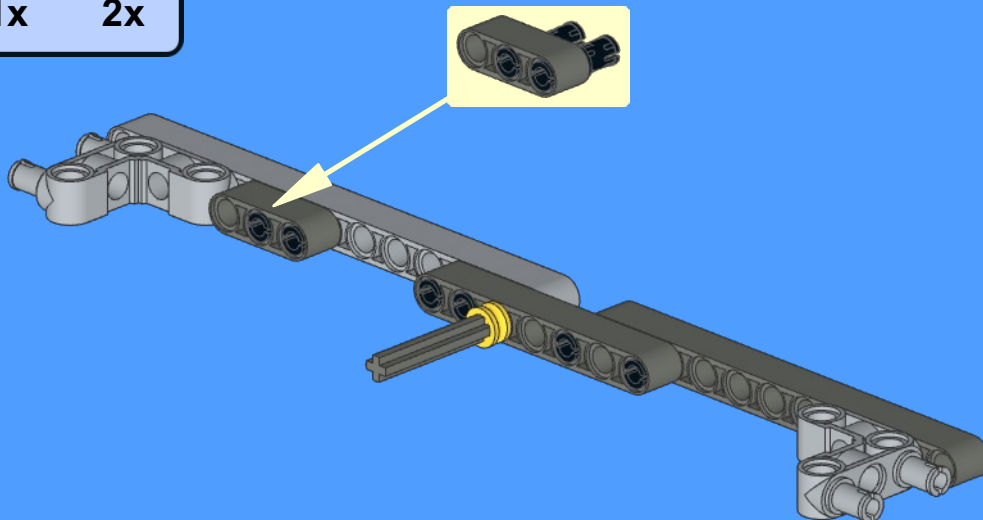
2



3

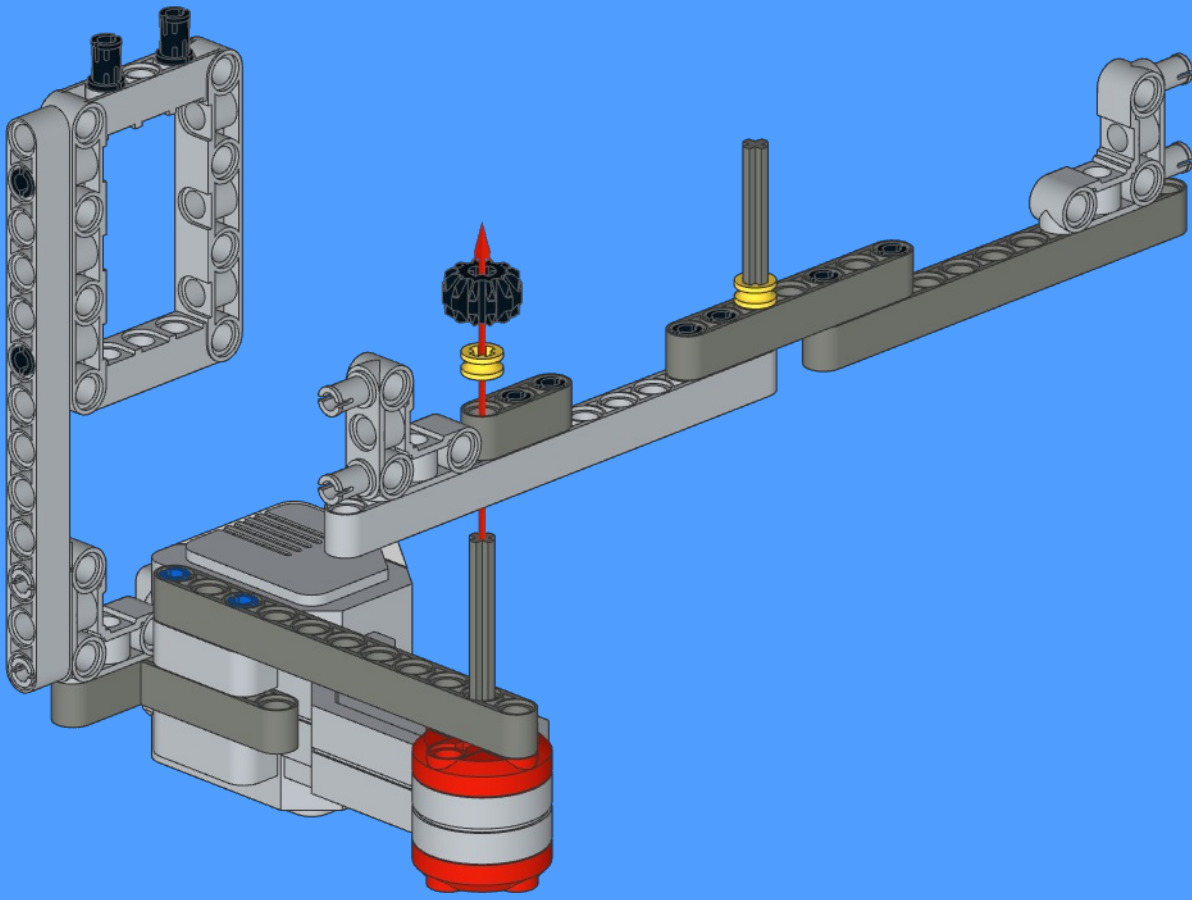


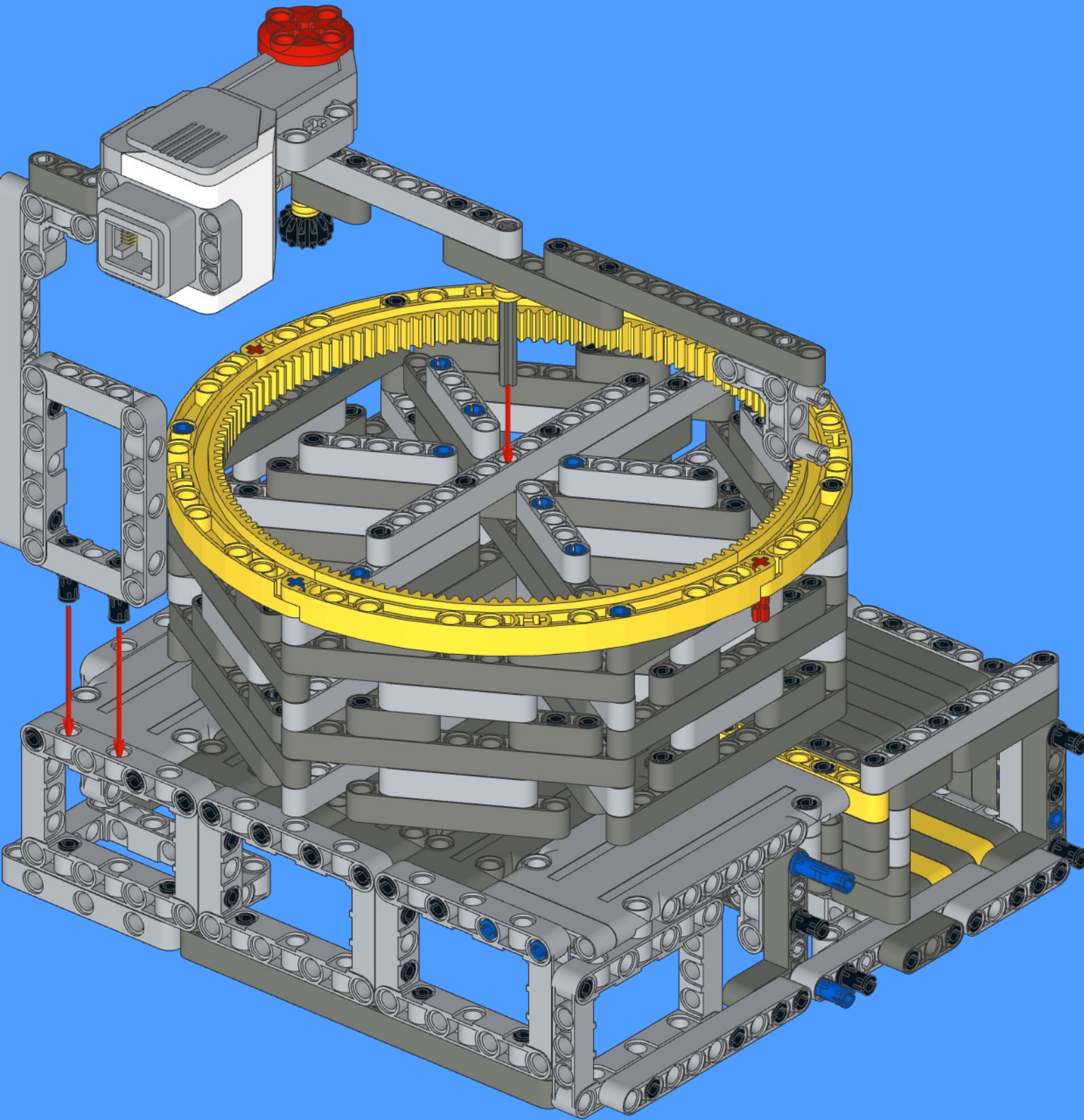
4



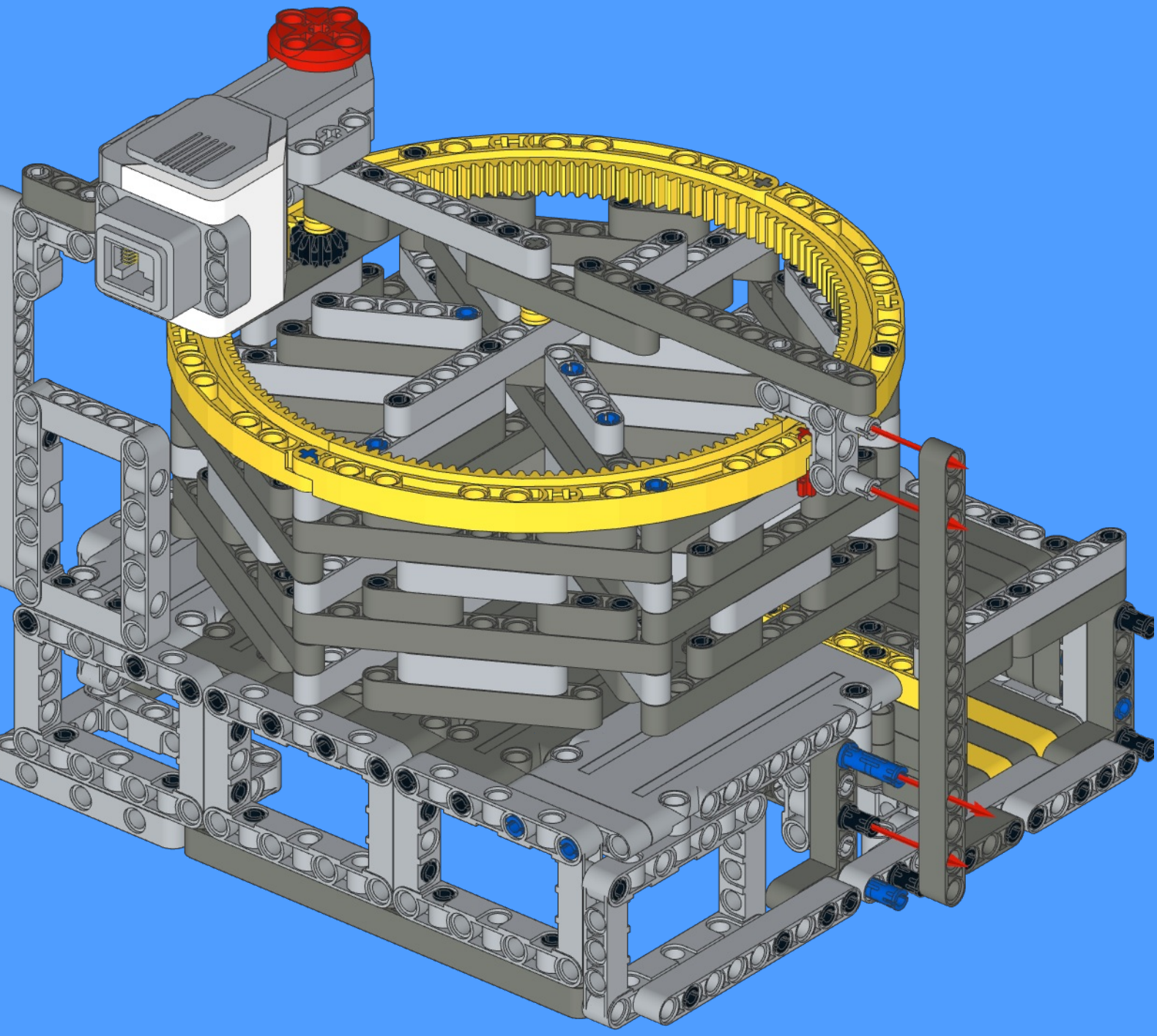
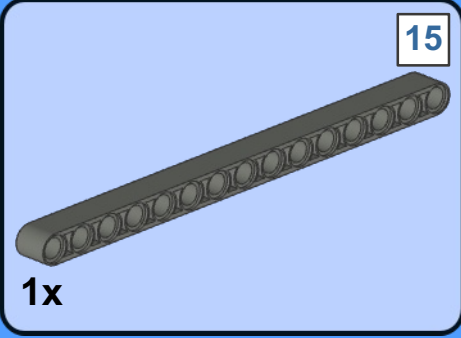
5

12
1x 1x

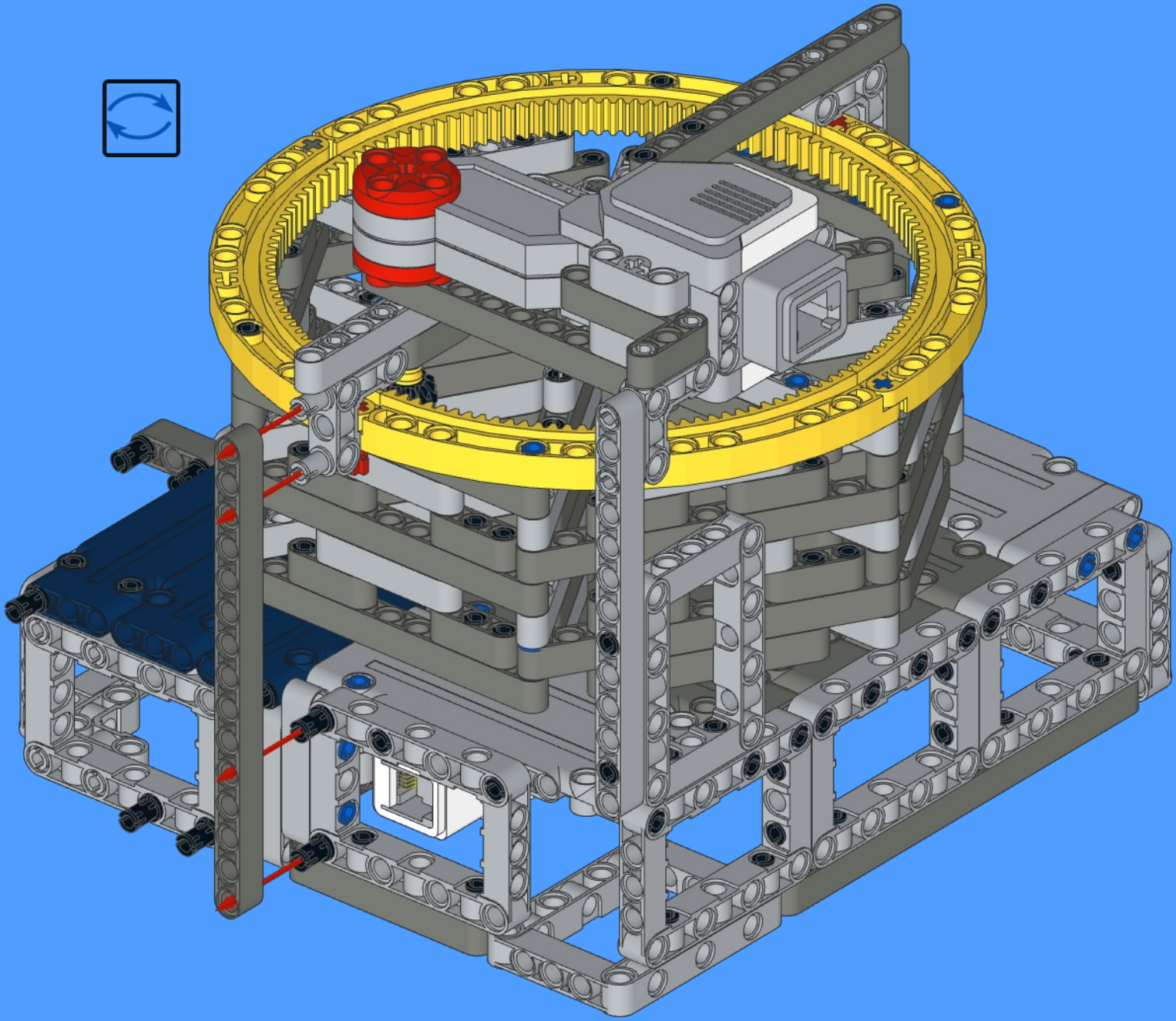
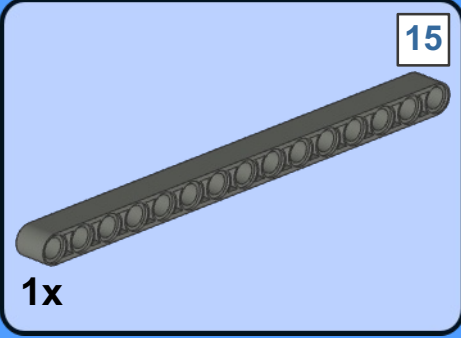




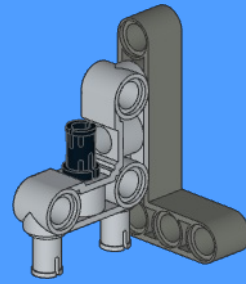
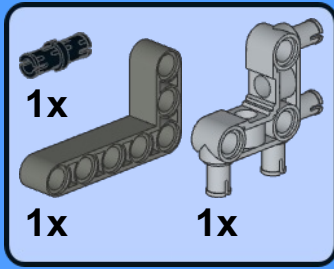
3



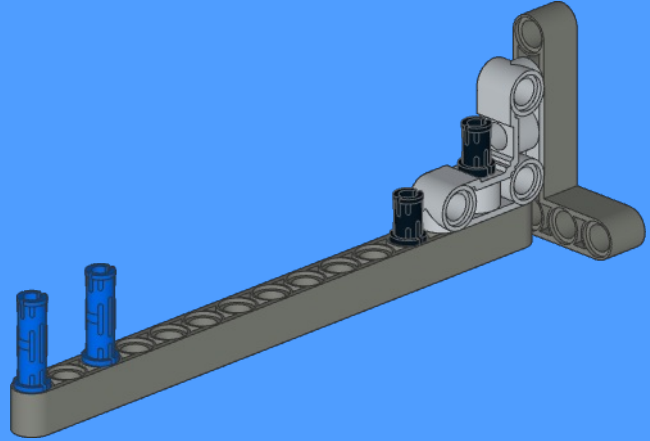
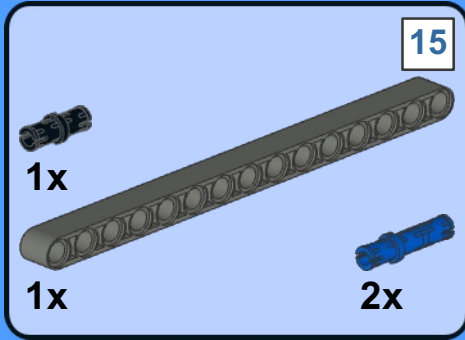
4



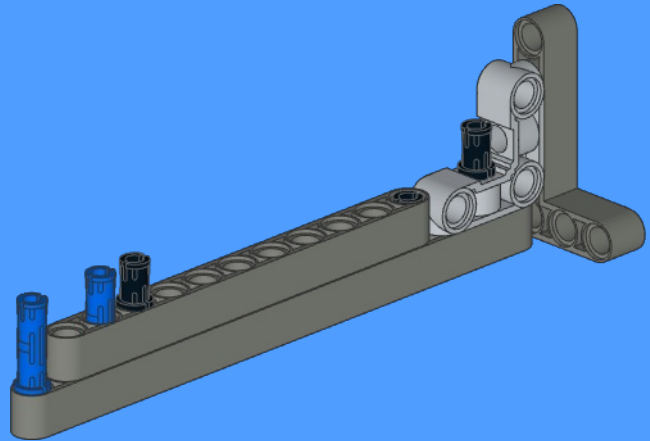
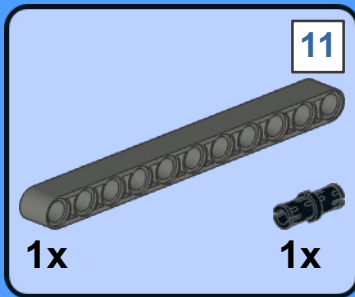
1



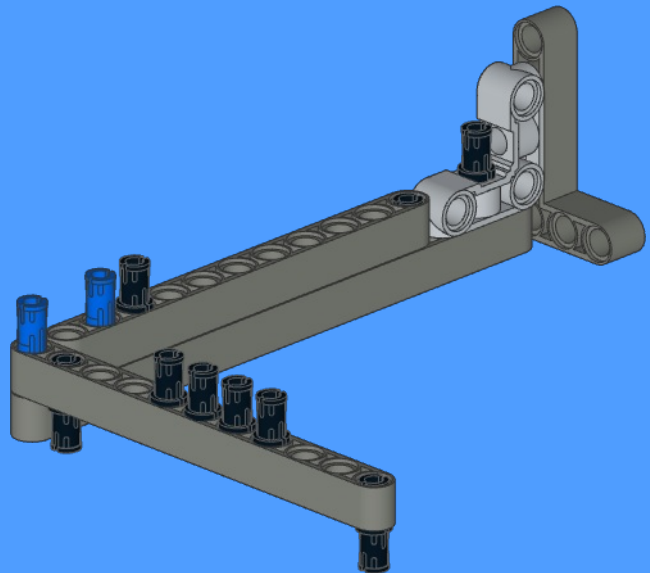
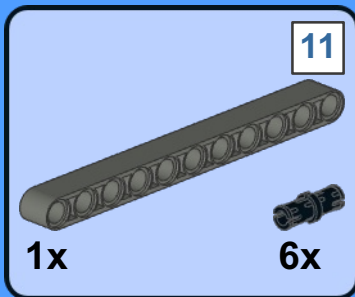
2



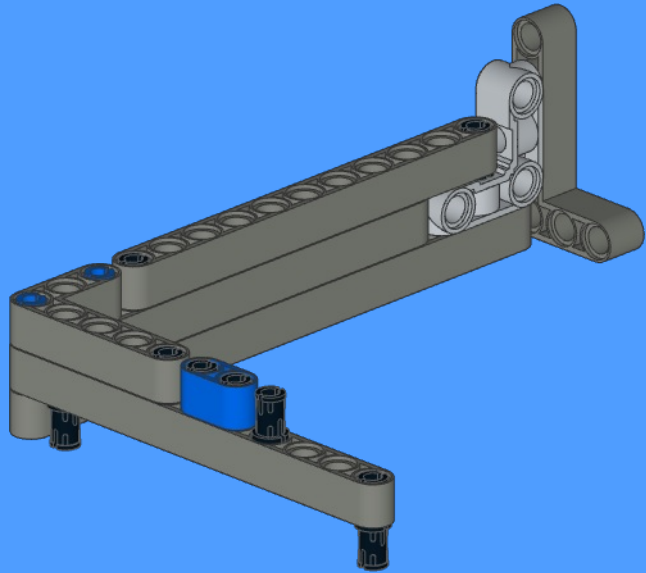
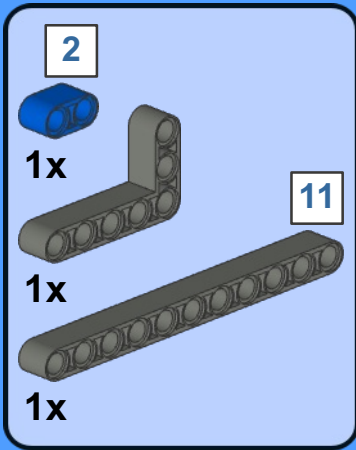
3



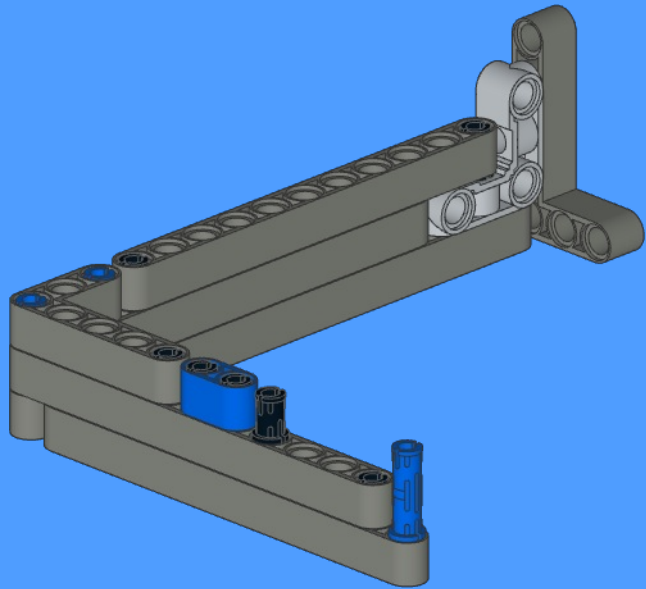
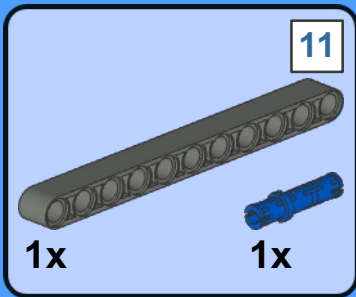
4



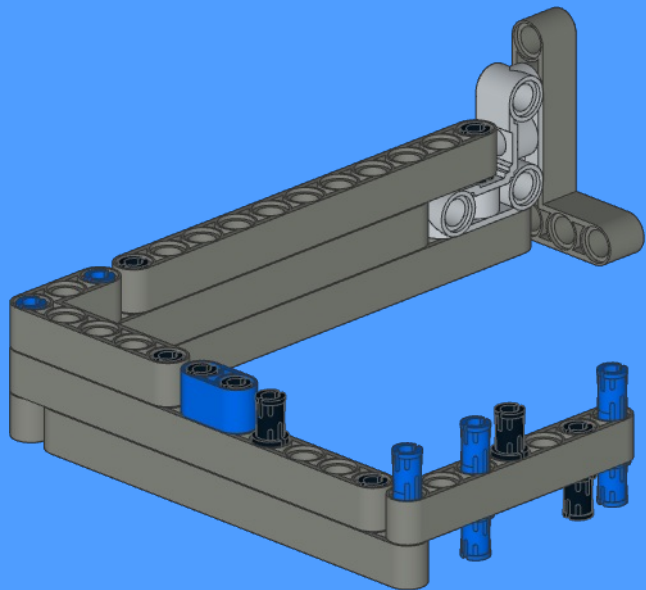
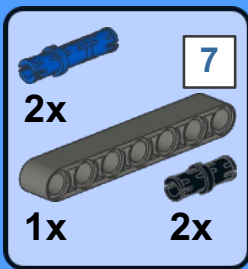
5



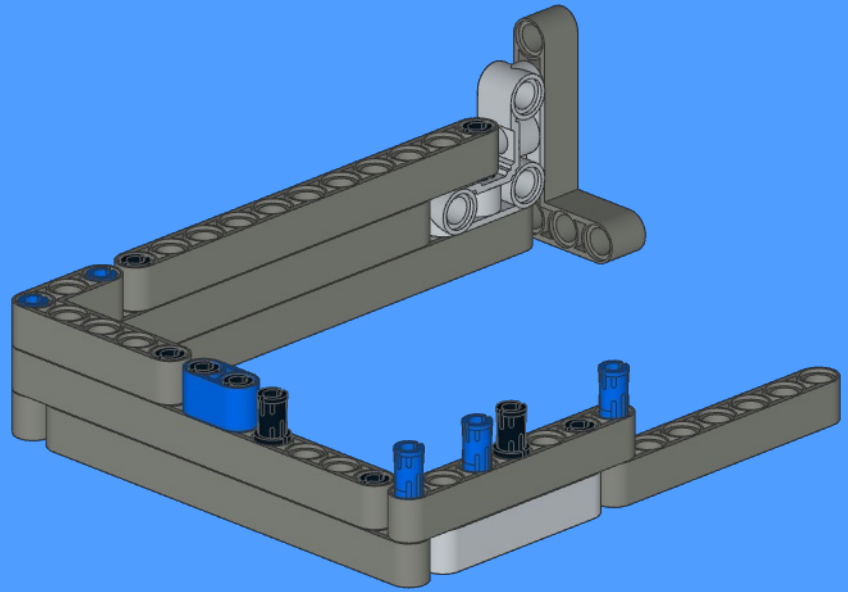
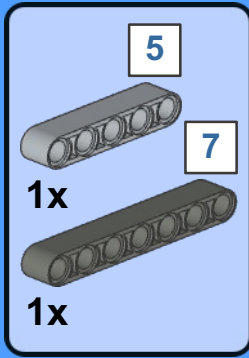
6



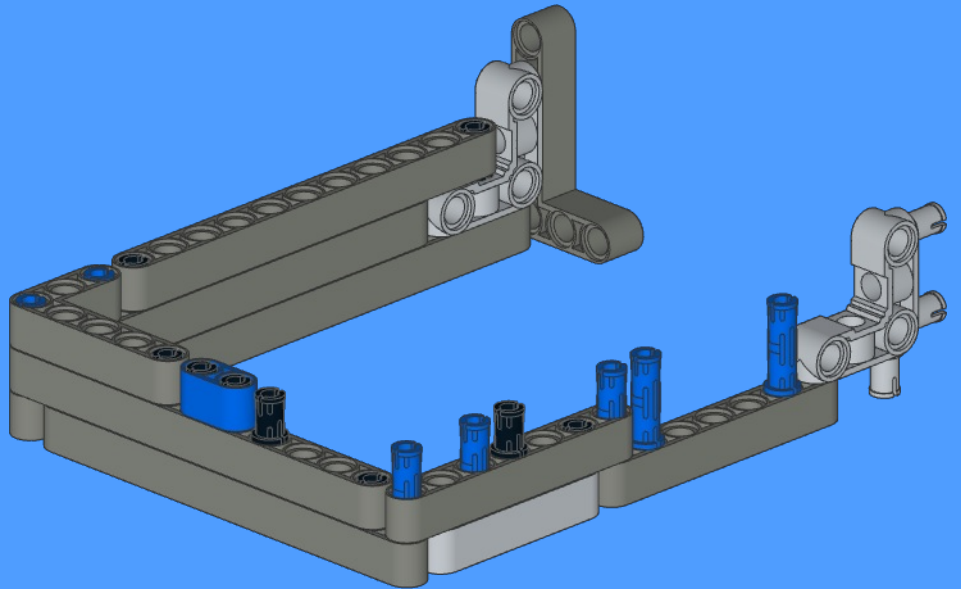
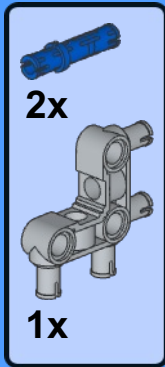
7



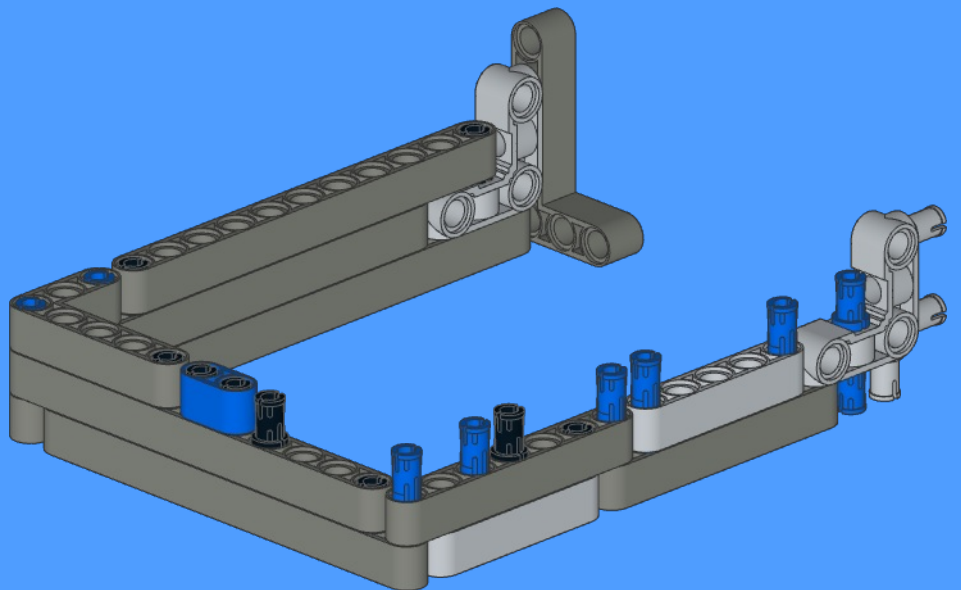
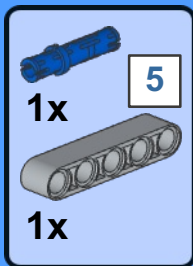
8



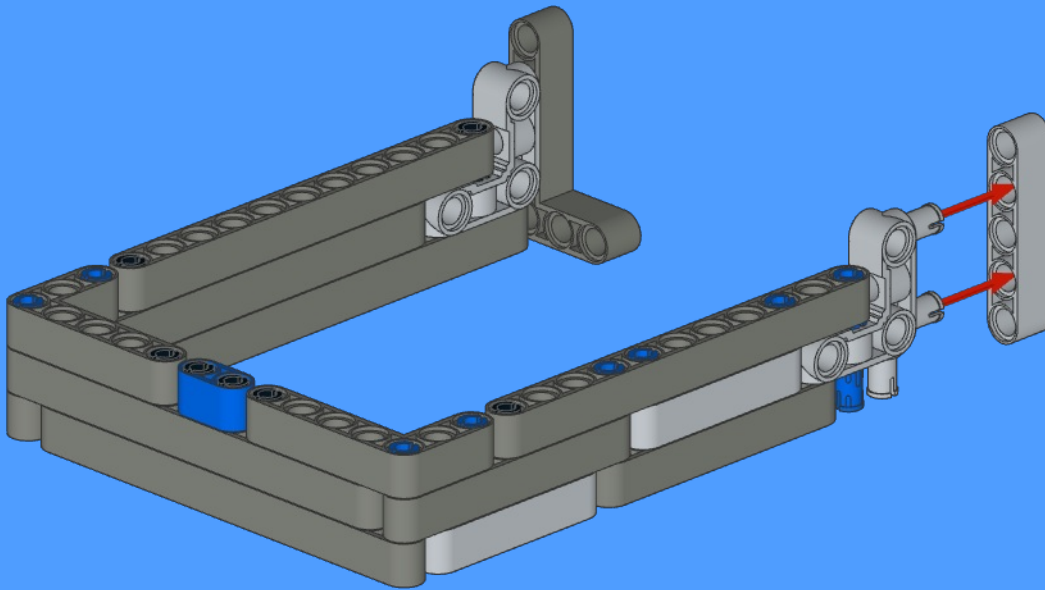
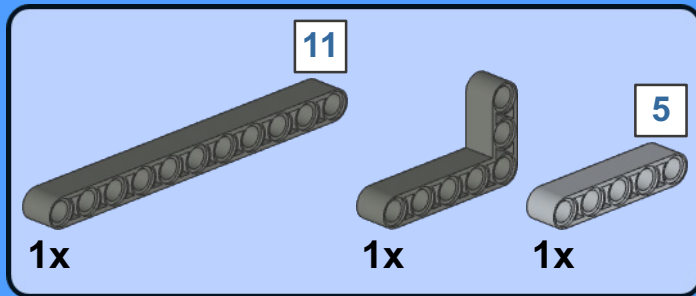
9



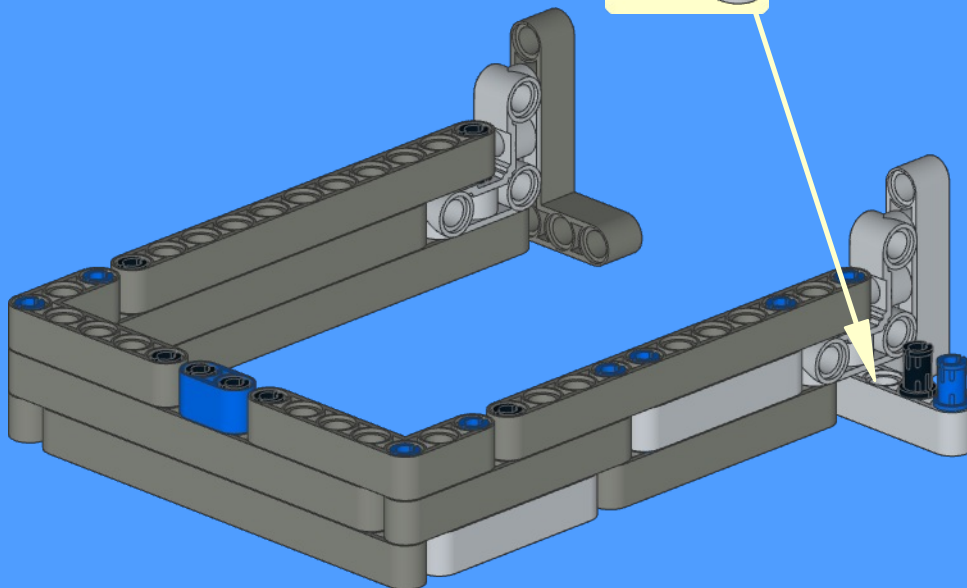
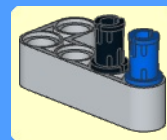
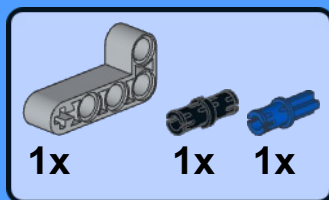
10

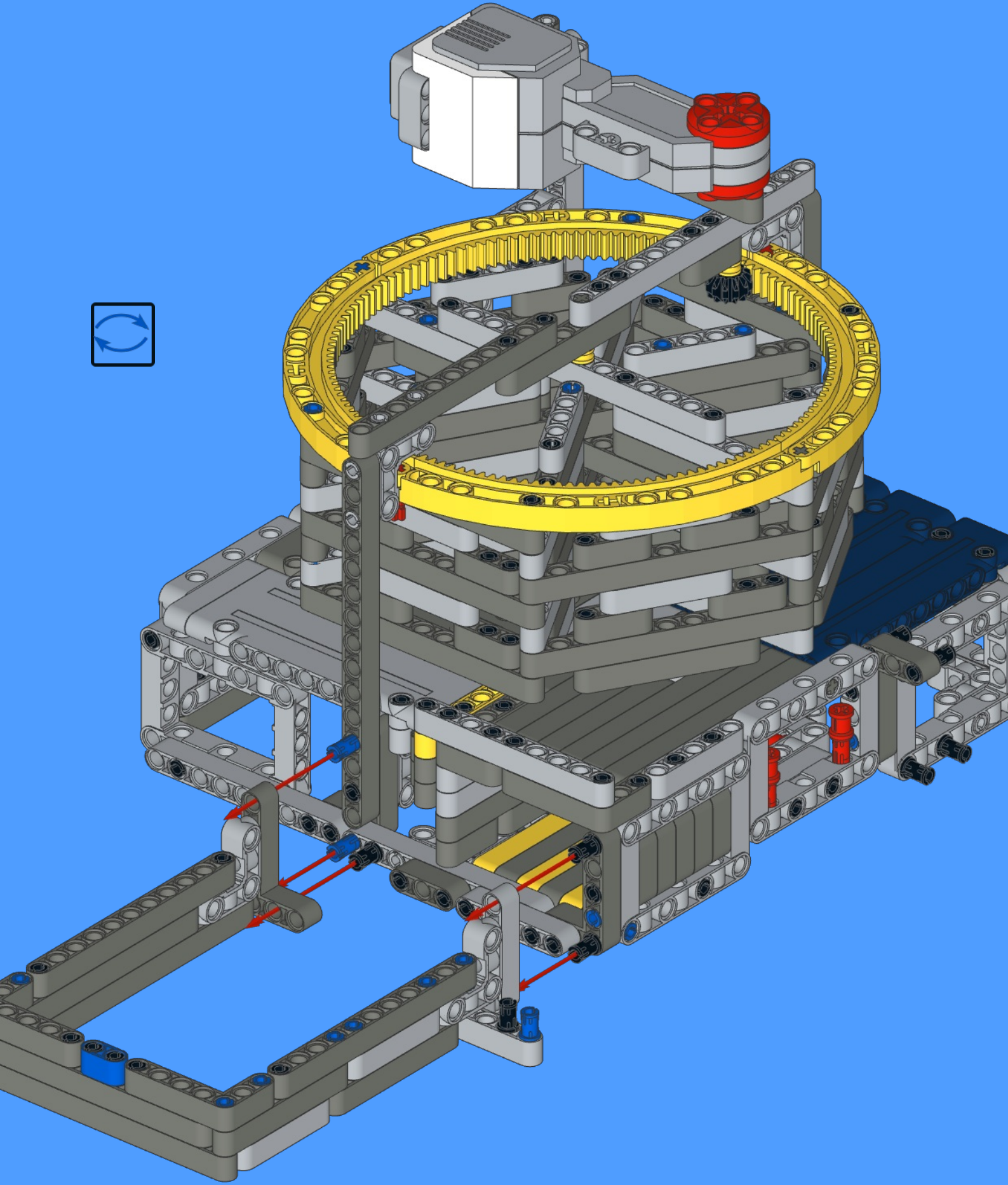


11

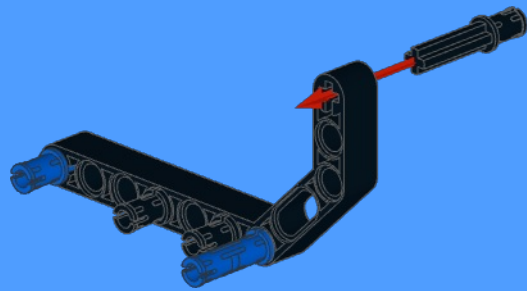
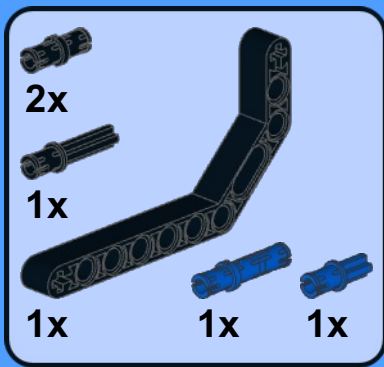


12

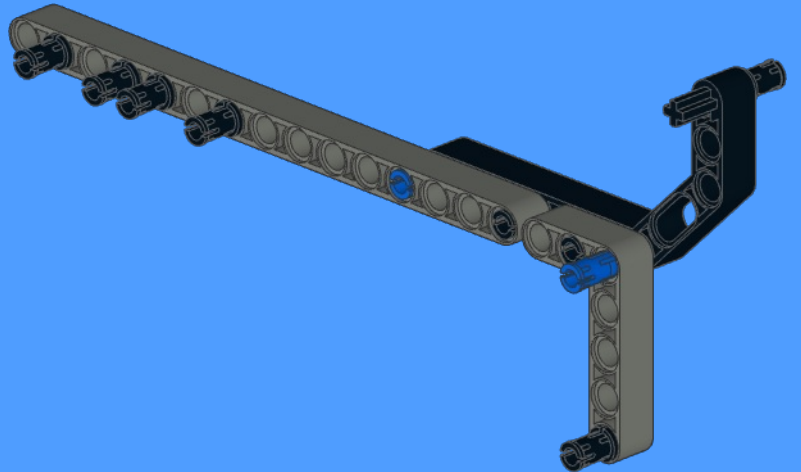
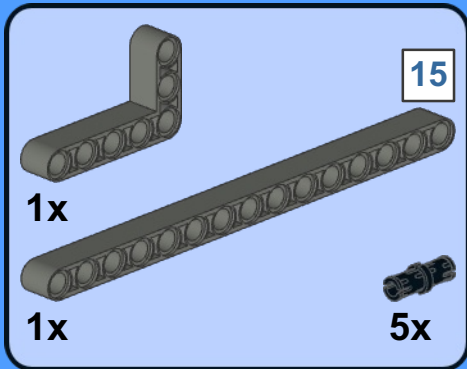




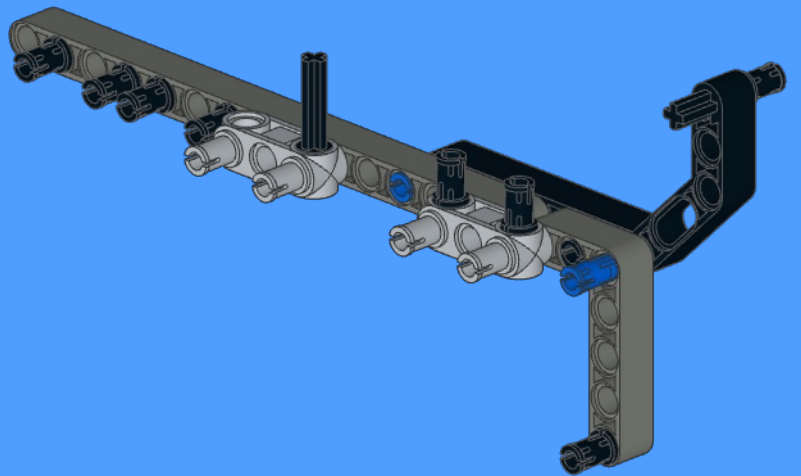
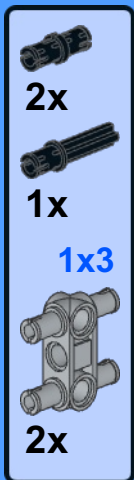
1



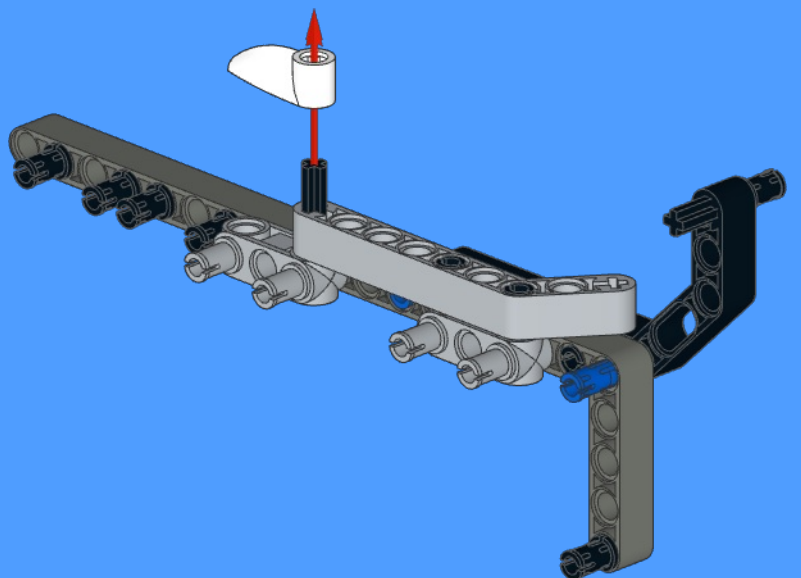
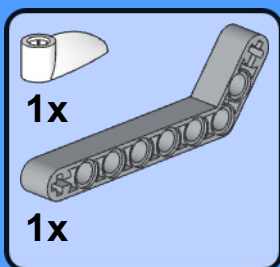
2



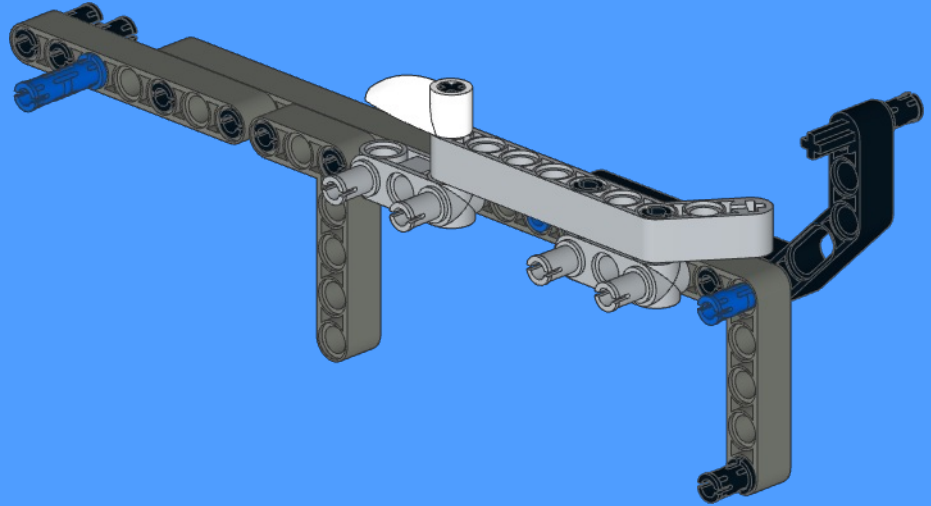
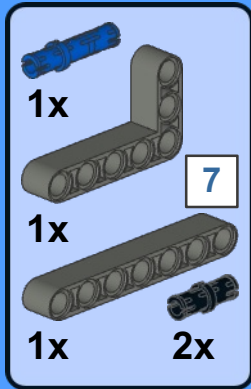
3



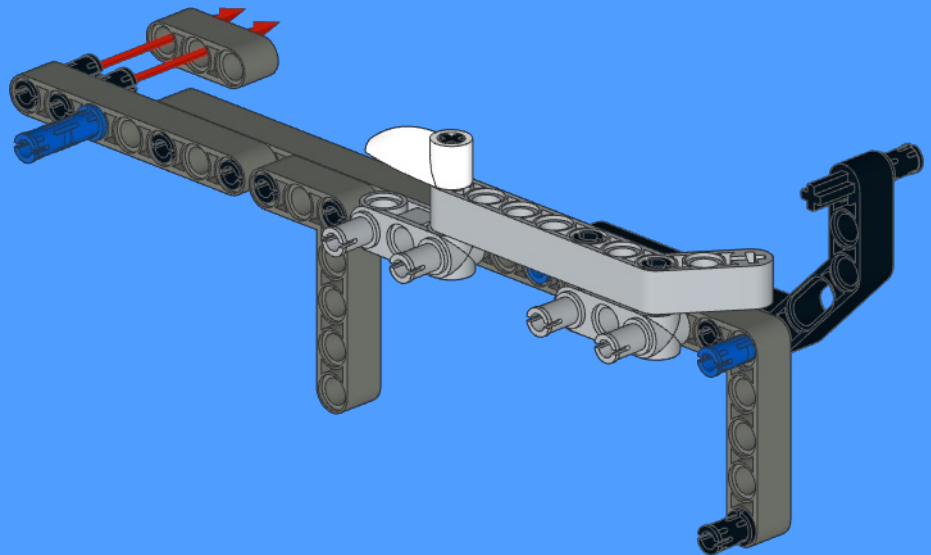
4



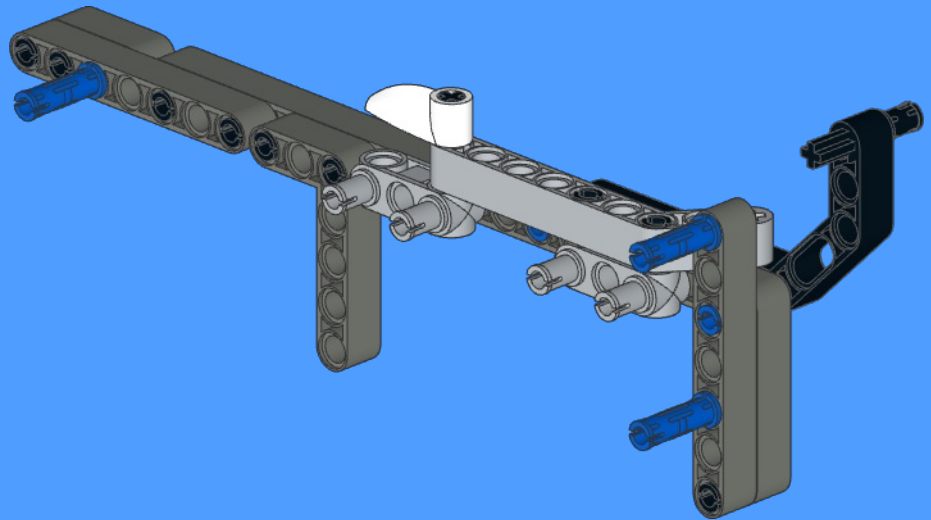
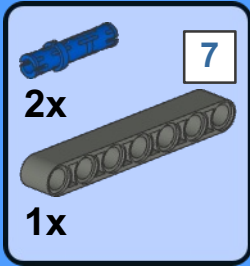
5



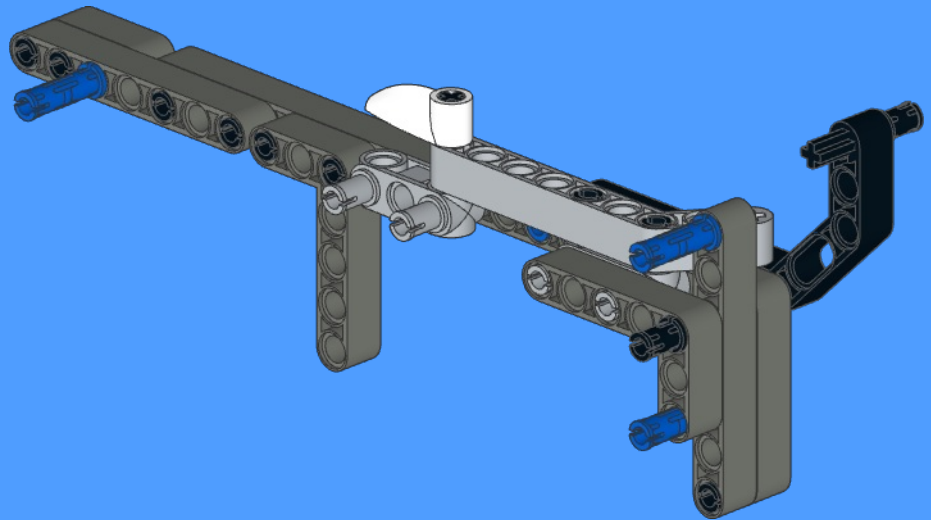
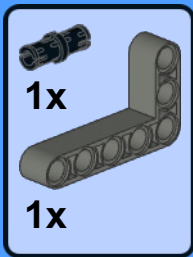
6



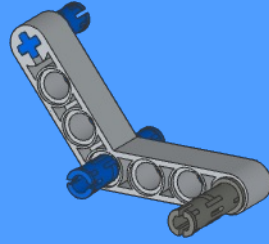
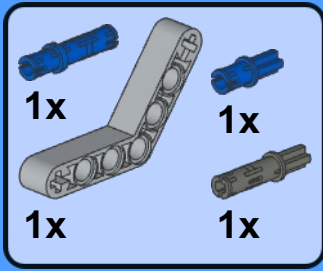
7



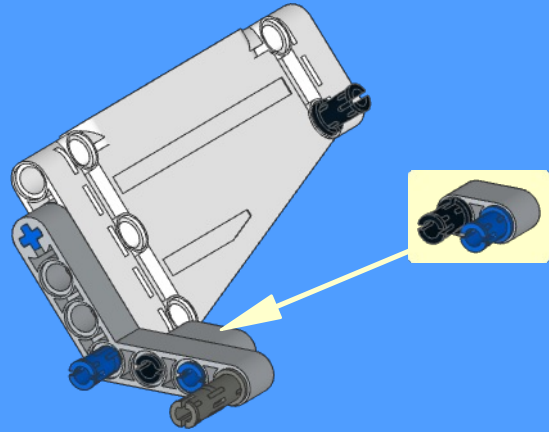
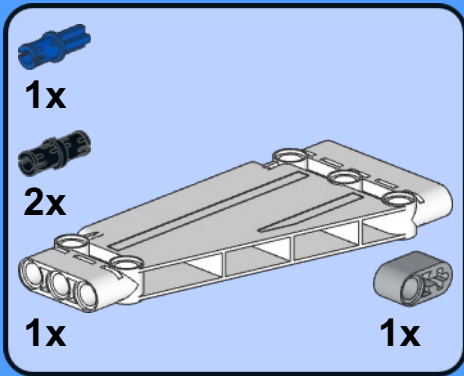
8



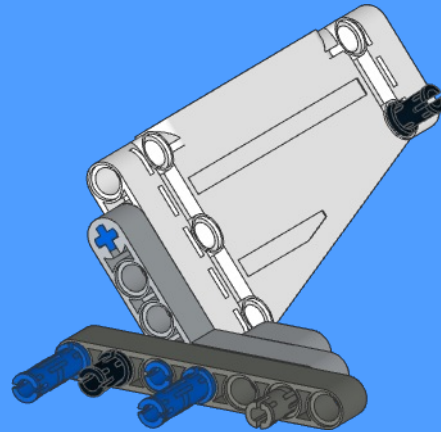
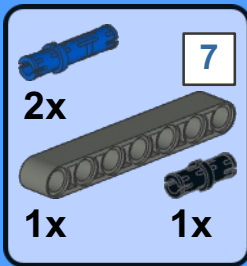
1



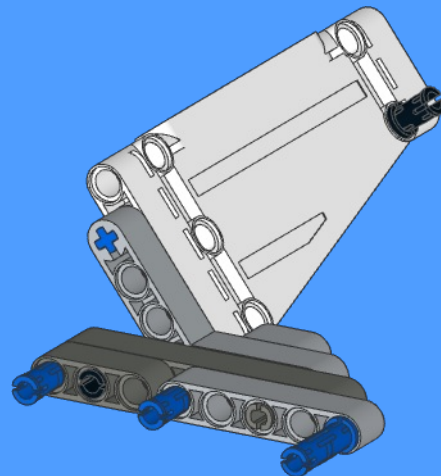
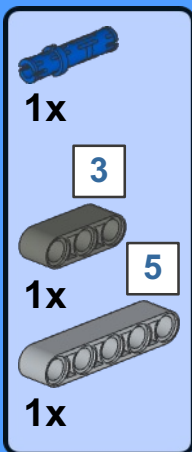
2

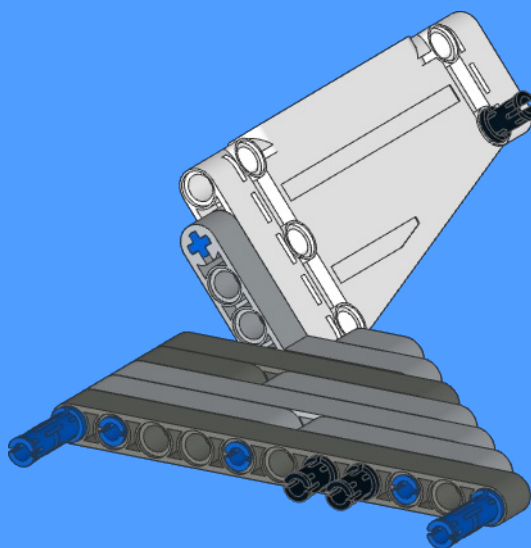
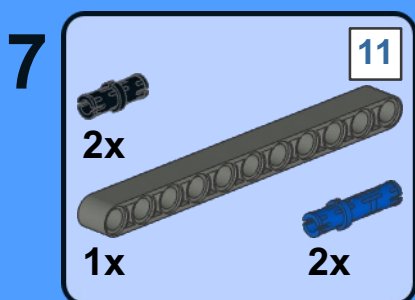
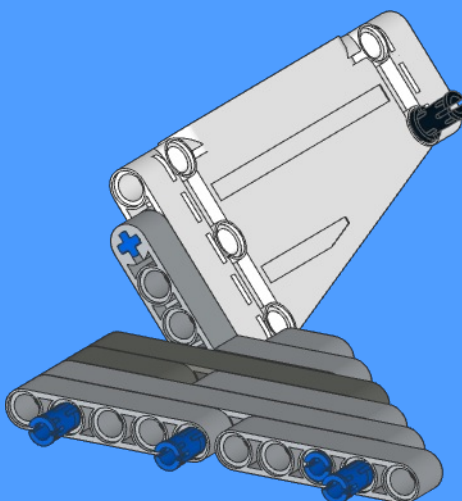
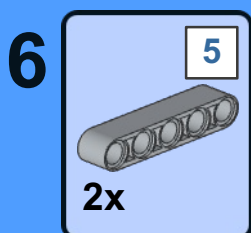
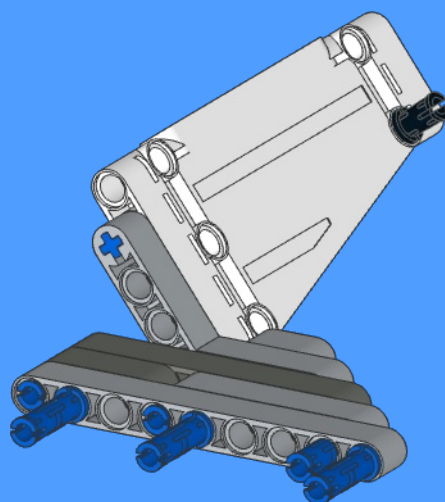
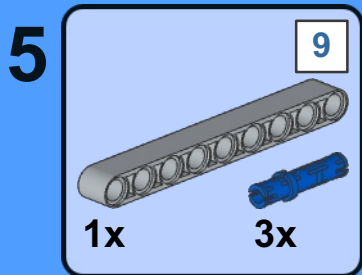


3

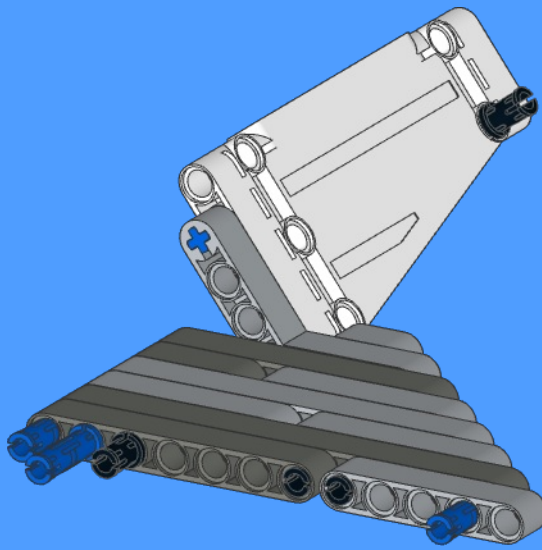
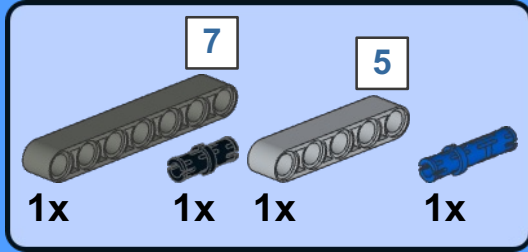


4

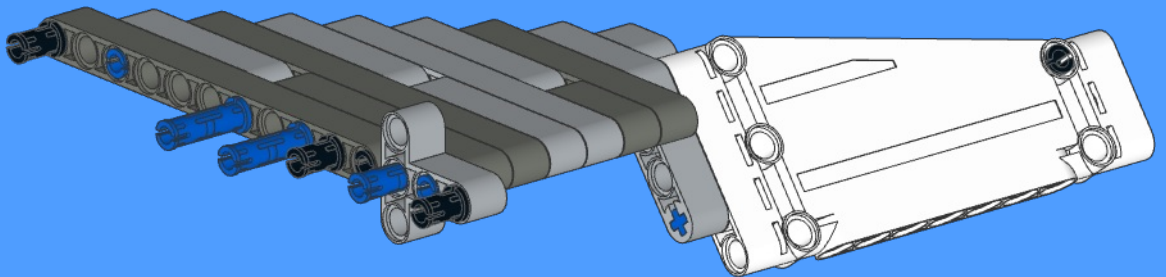
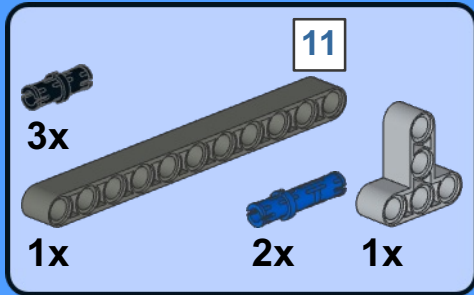




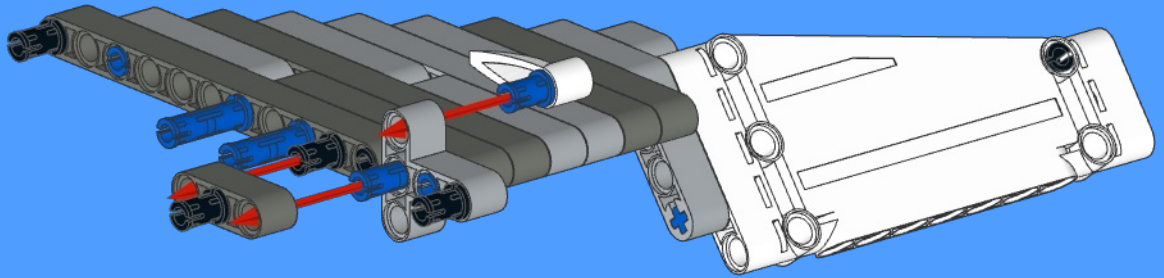
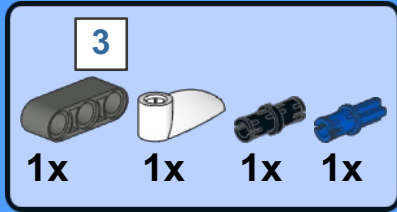
8



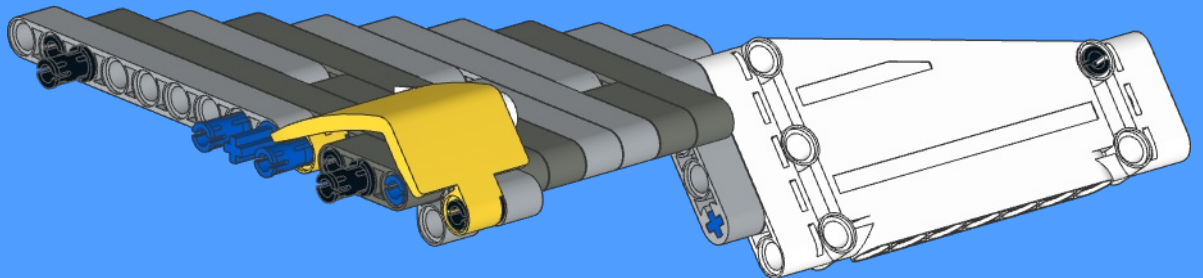
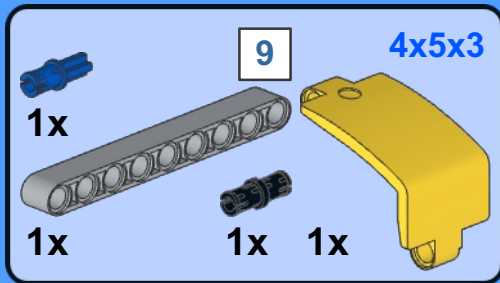
9



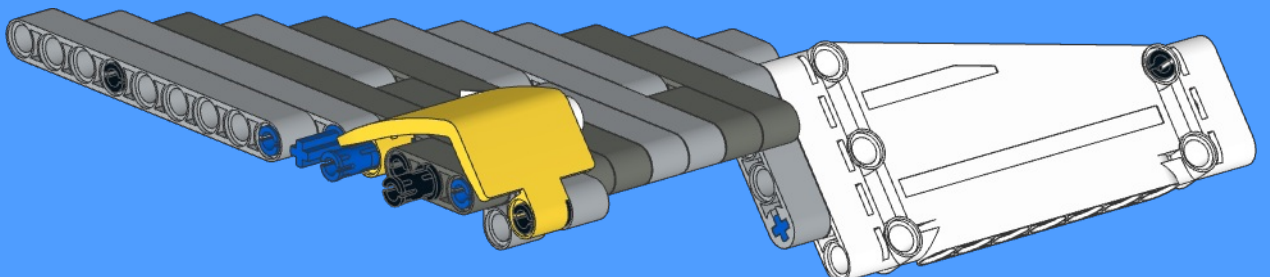
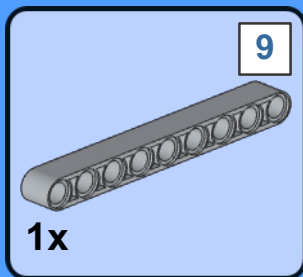
10

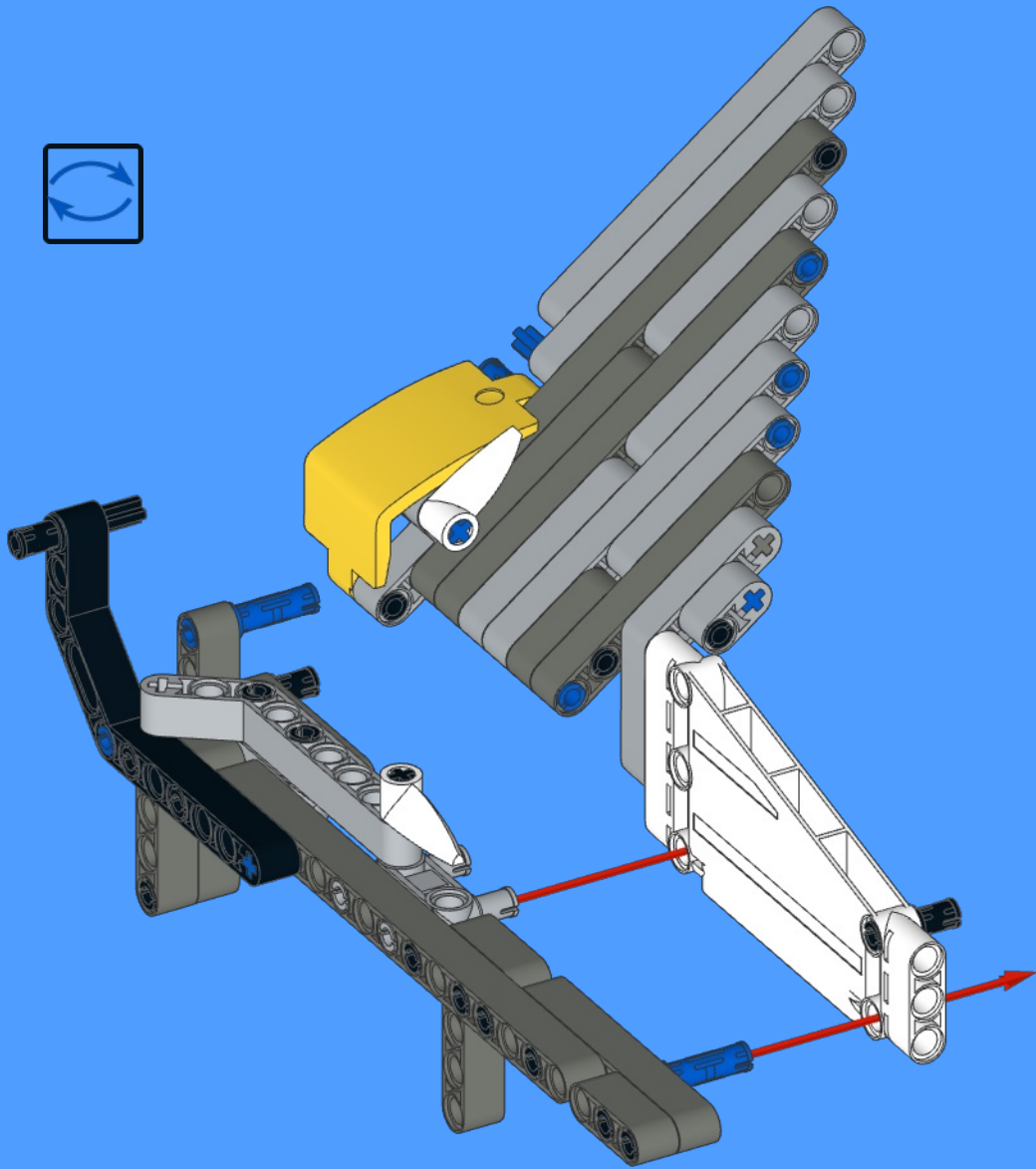


11

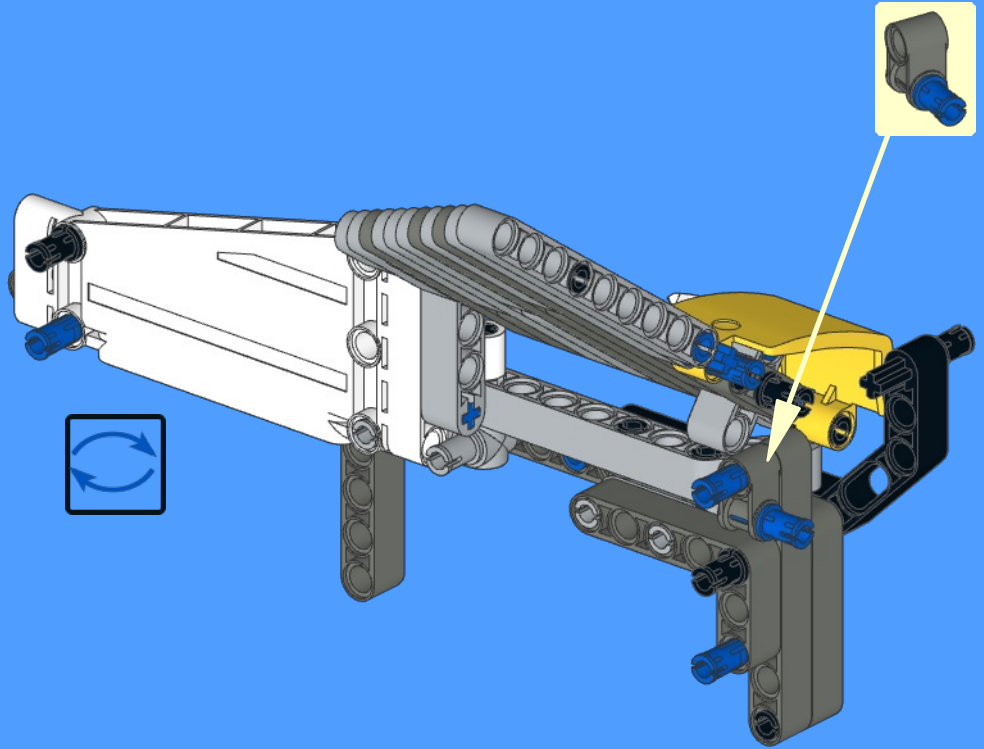
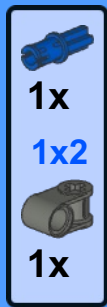


12

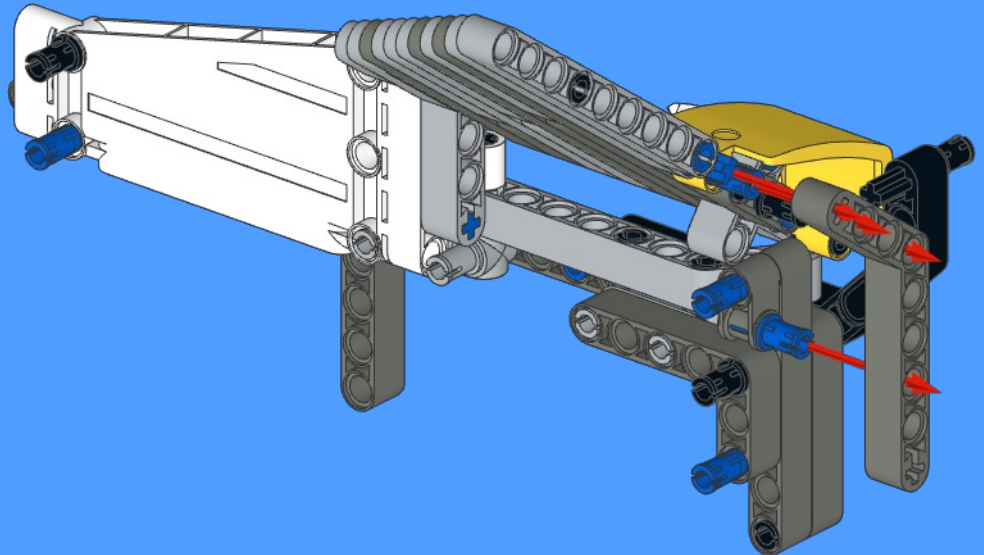
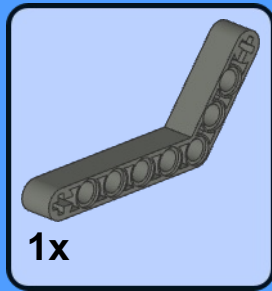




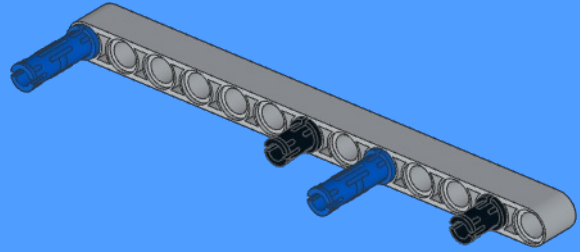
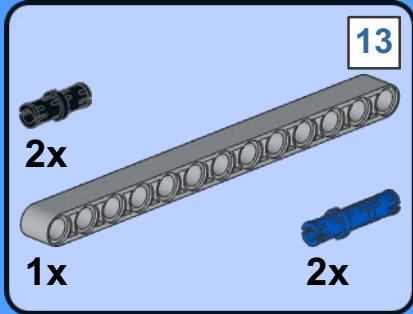
10



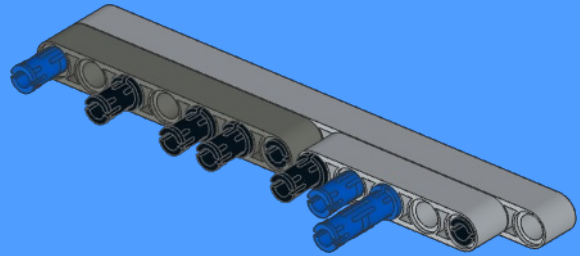
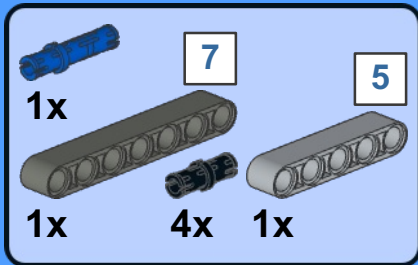
11



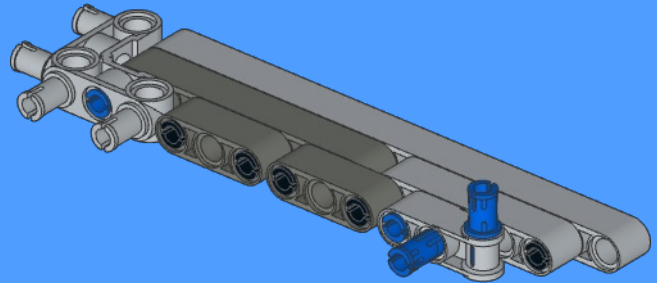
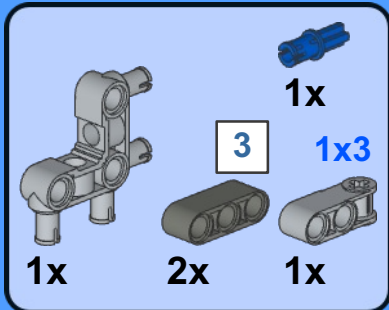
1



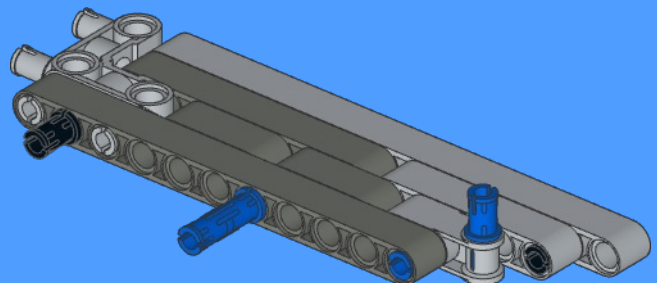
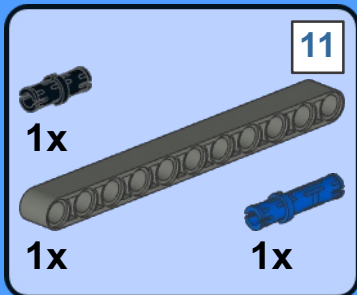
2



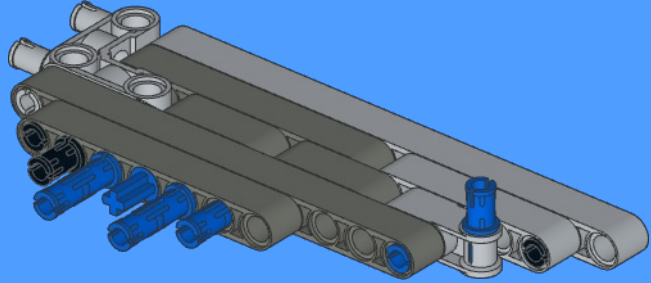
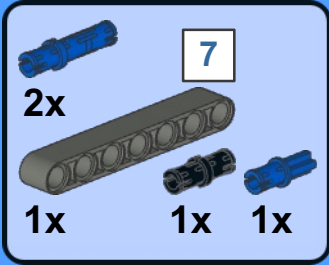
3



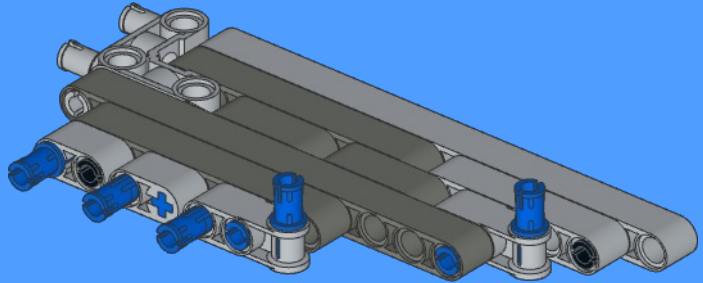
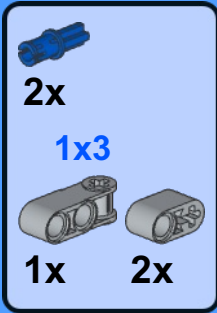
4



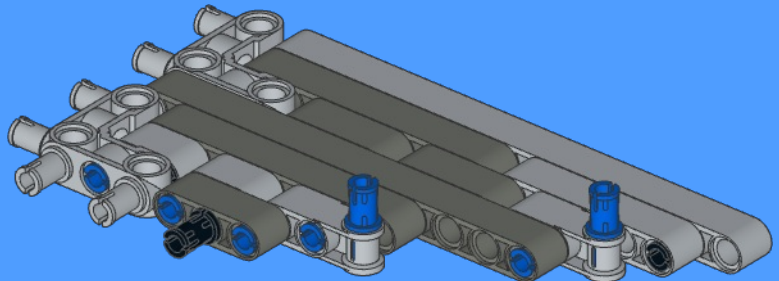
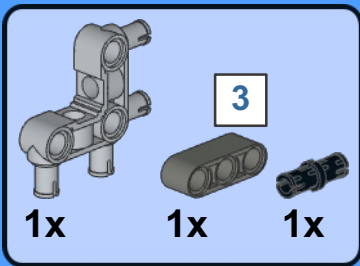
5



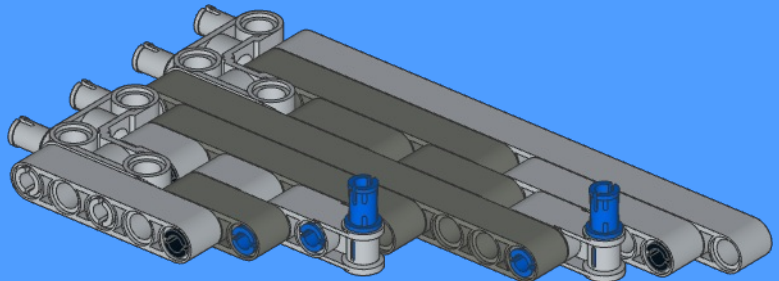
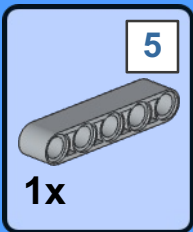
6

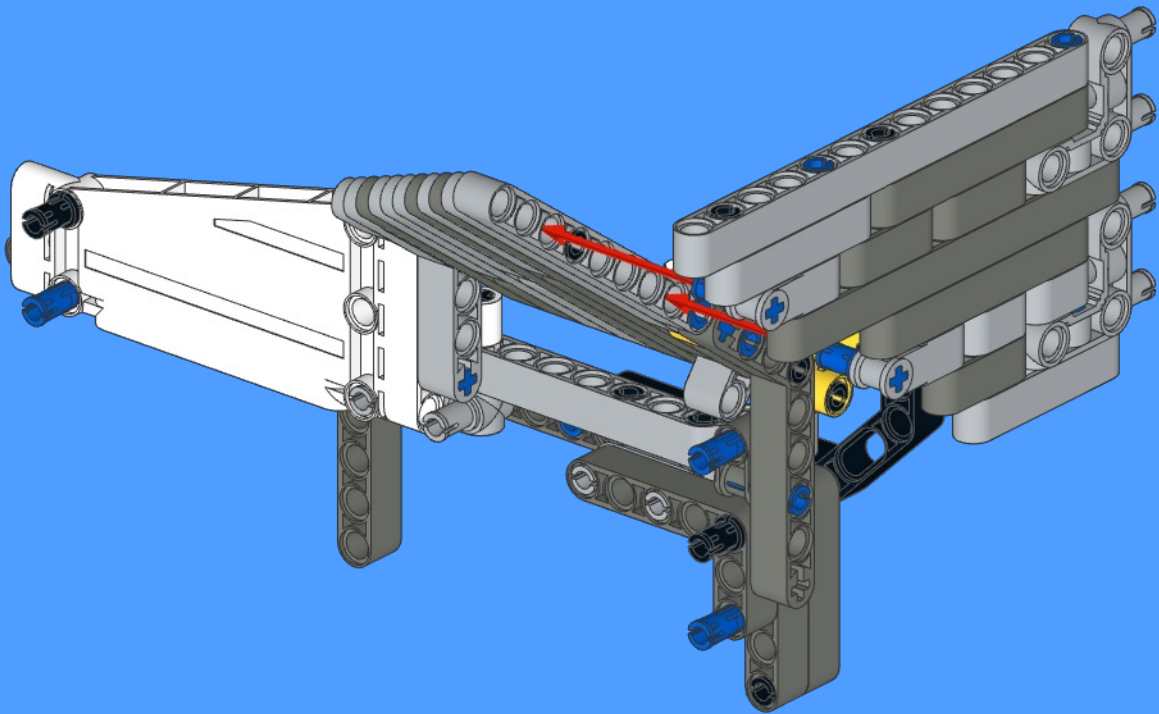


7

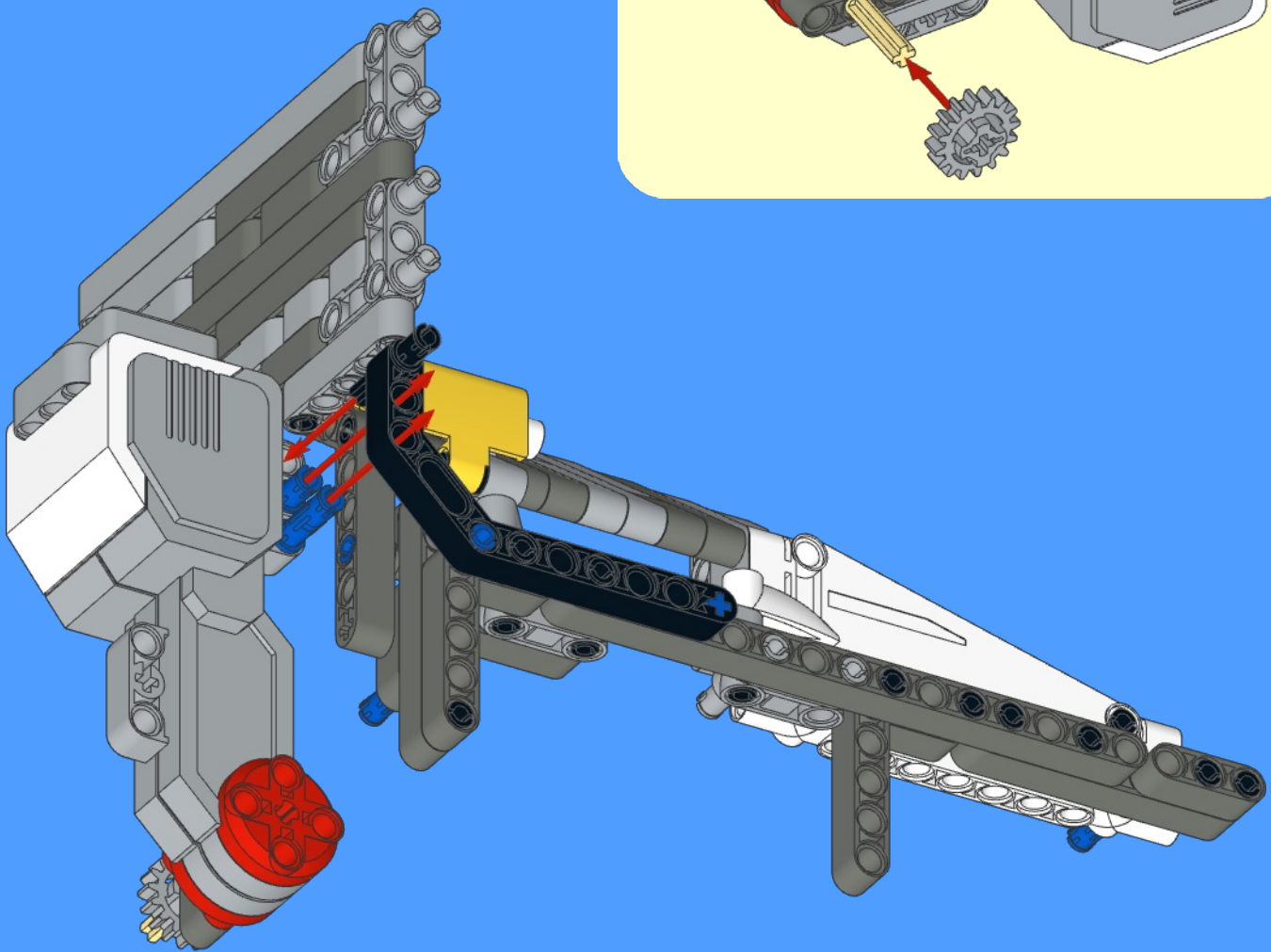
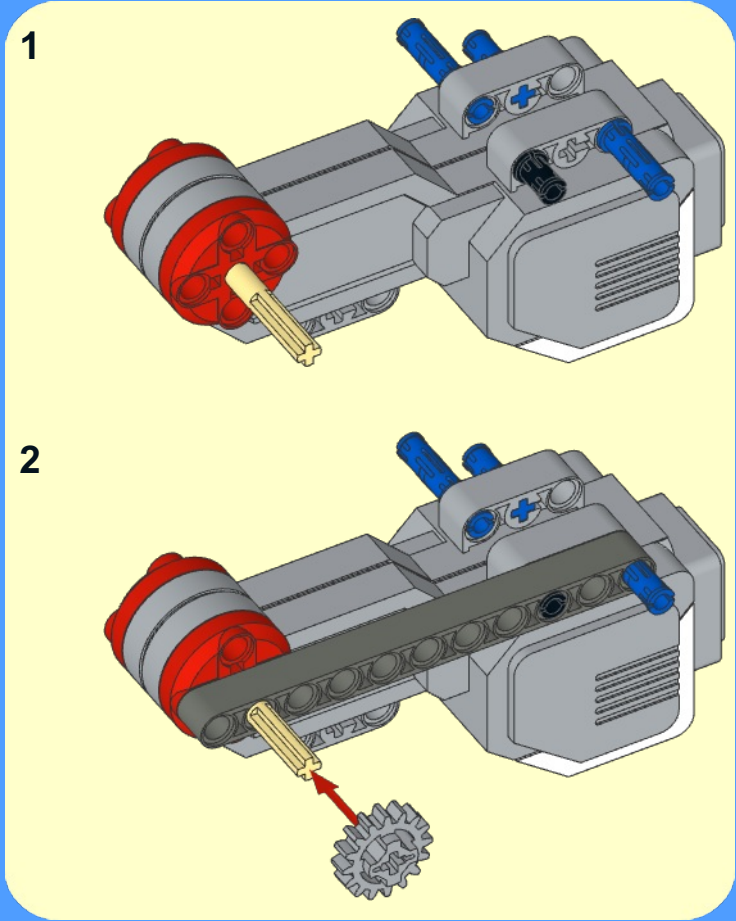
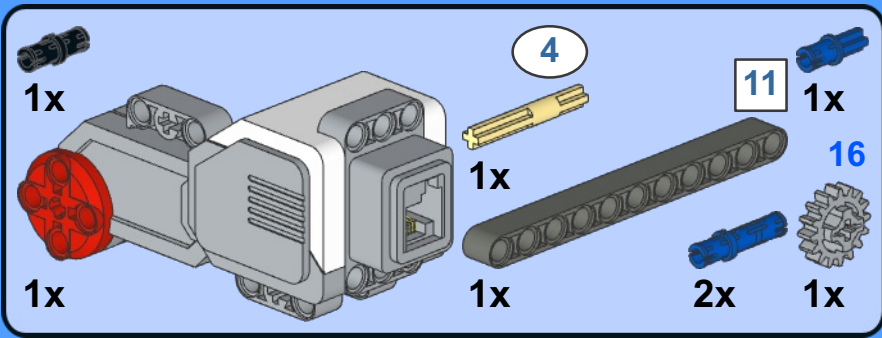


8



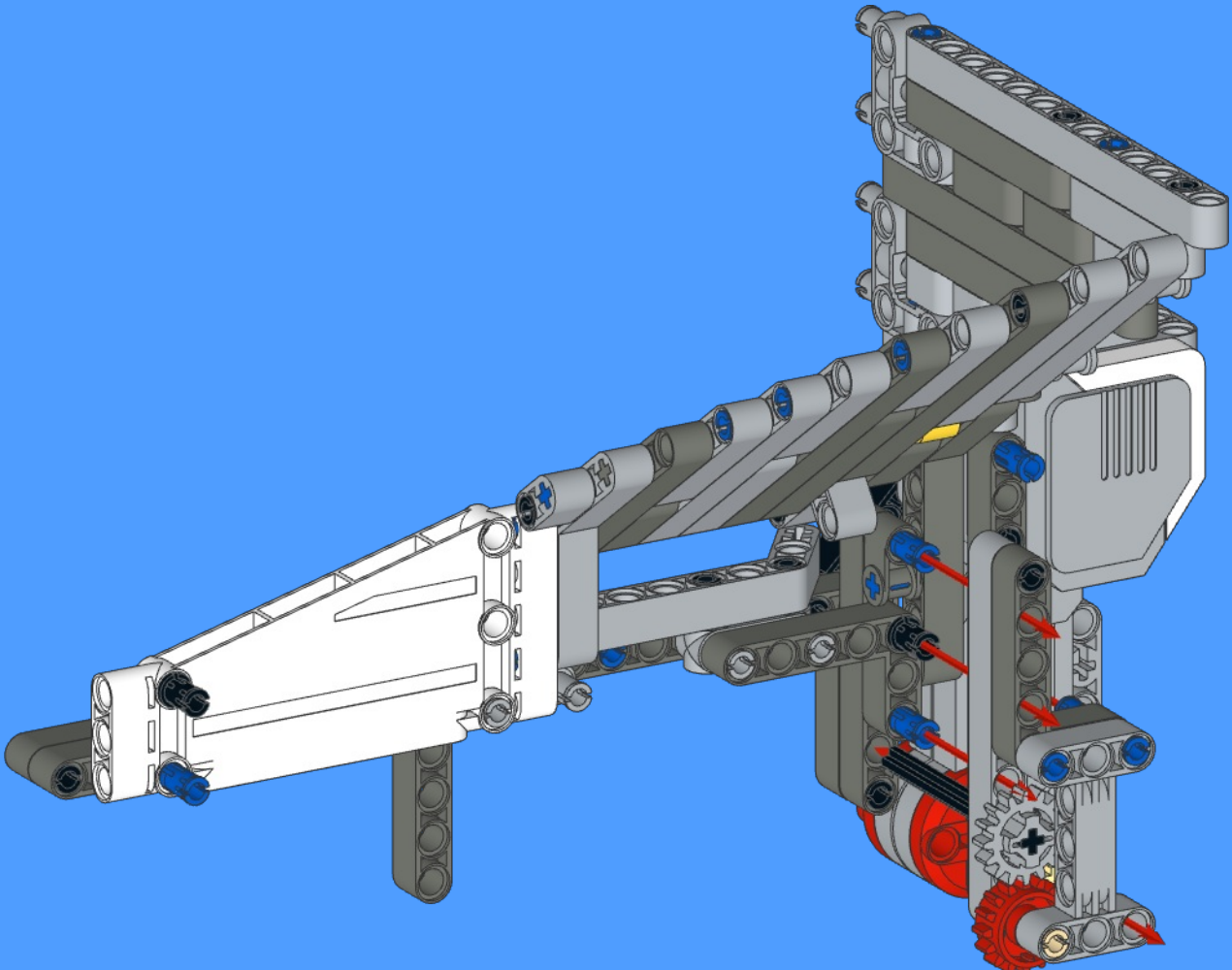


13



	2x						1x
	1x		1x		1x		1x
	1x		1x		1x		1x
					1x		

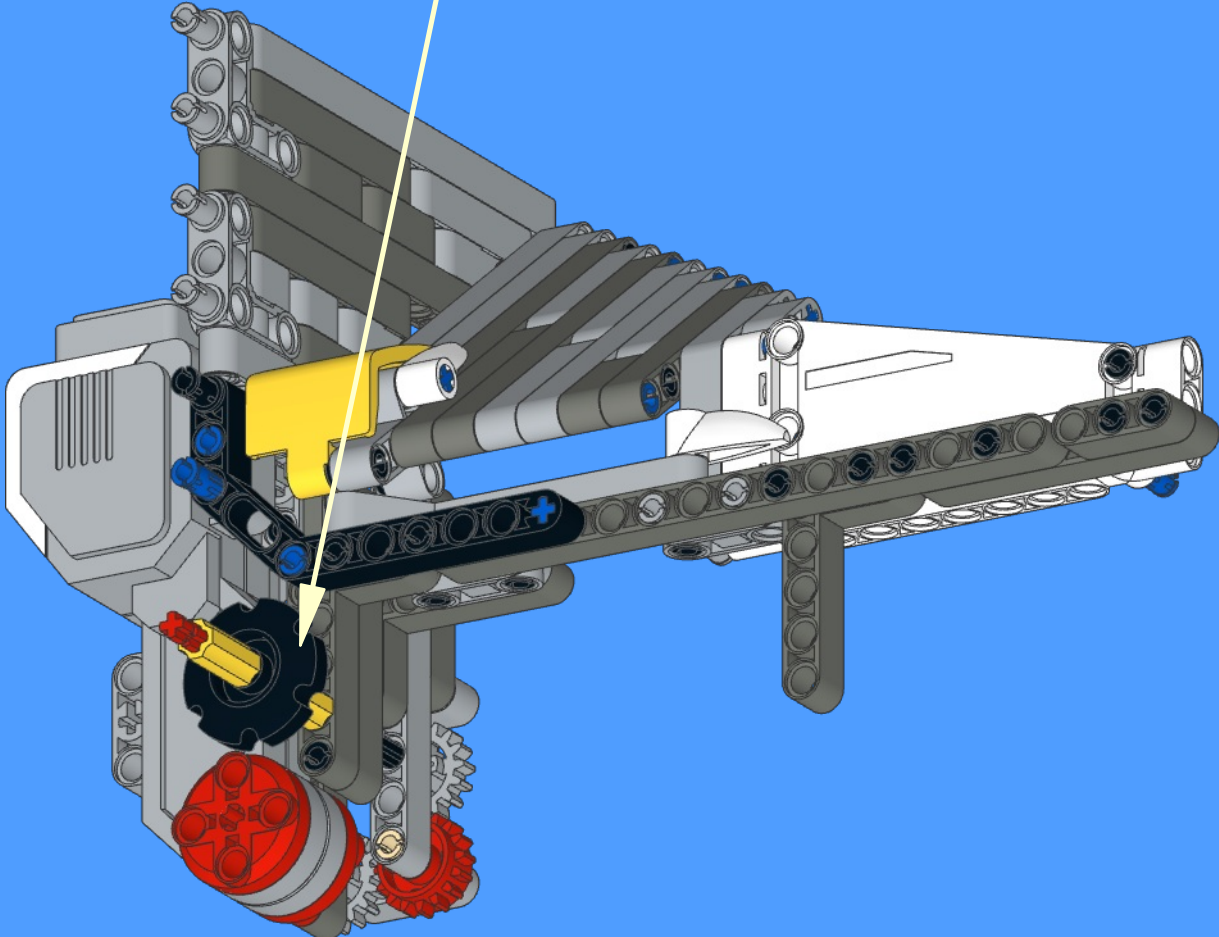
-
-
-



15

3
1x
25.4
2x
2
1x
1x

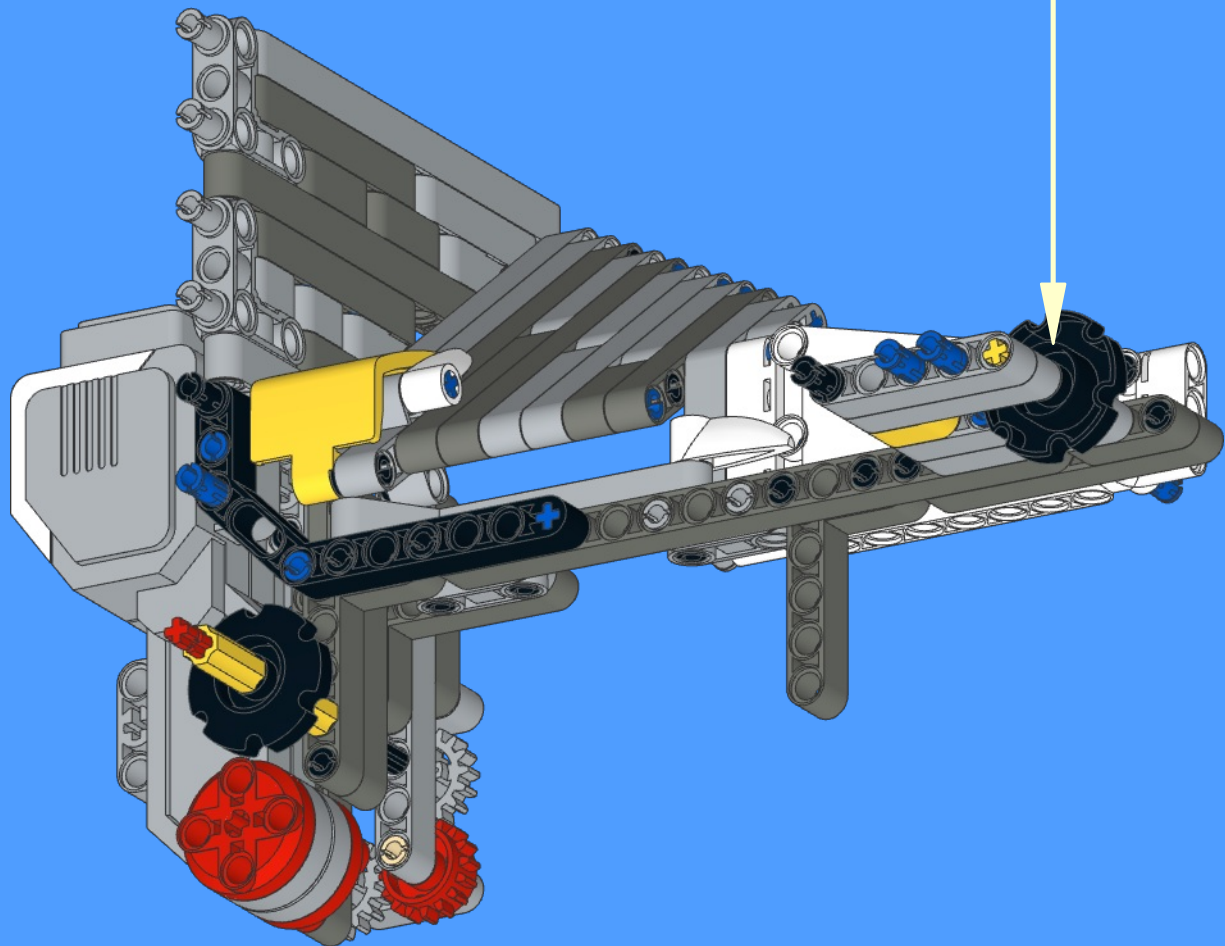
1
2
3

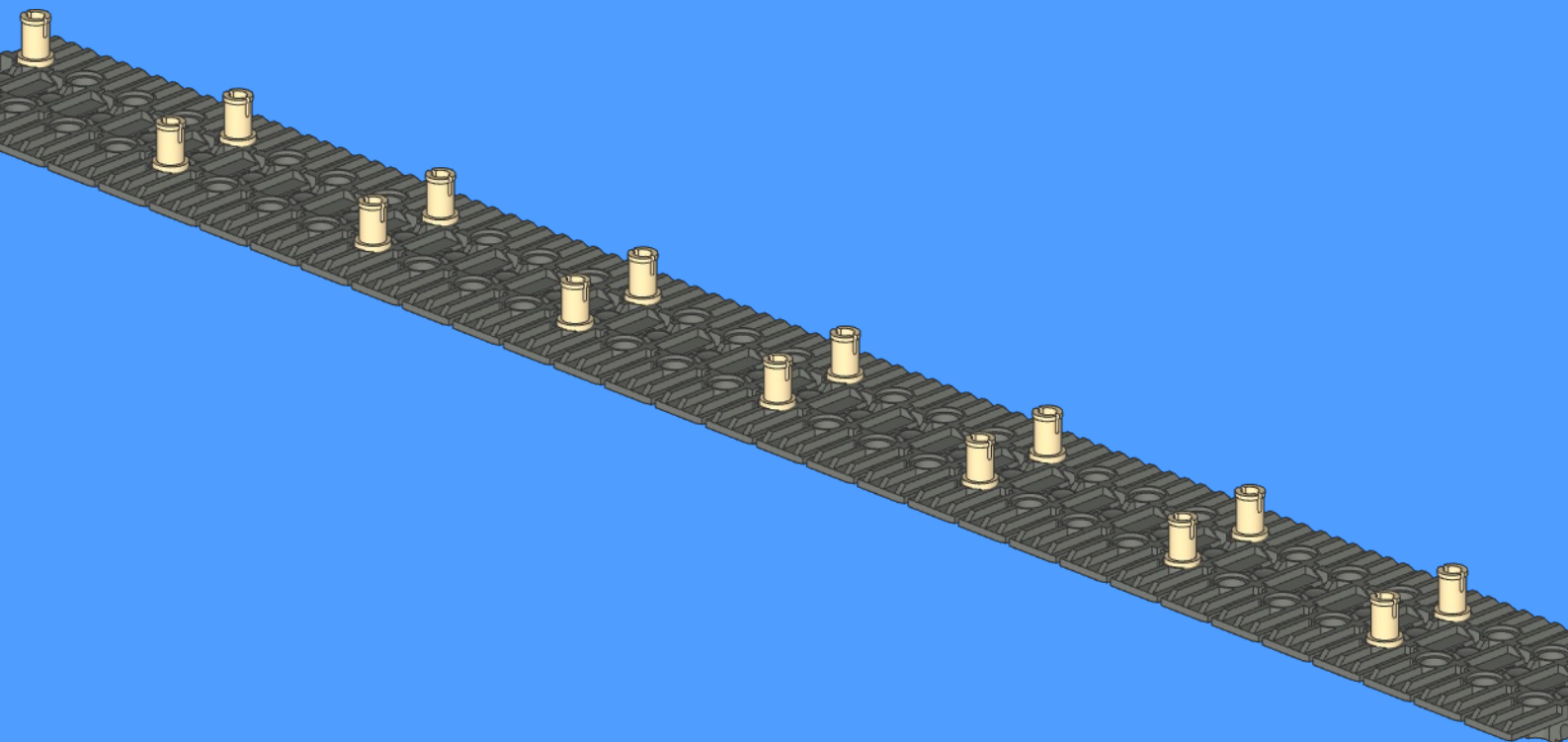
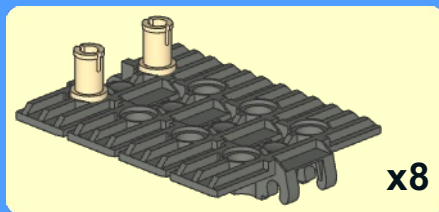
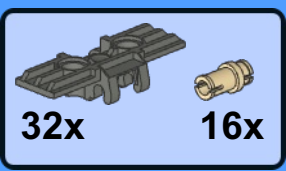


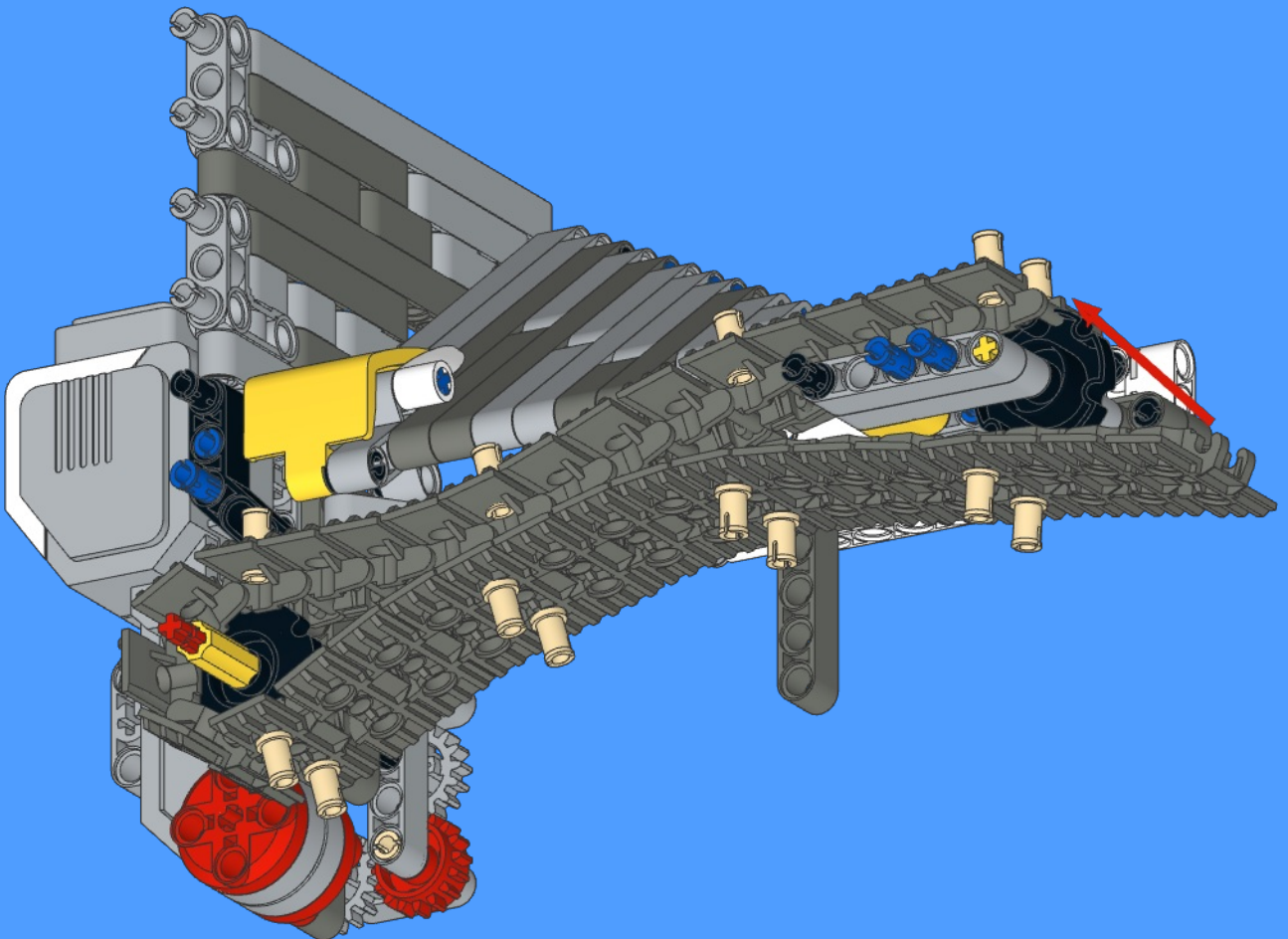
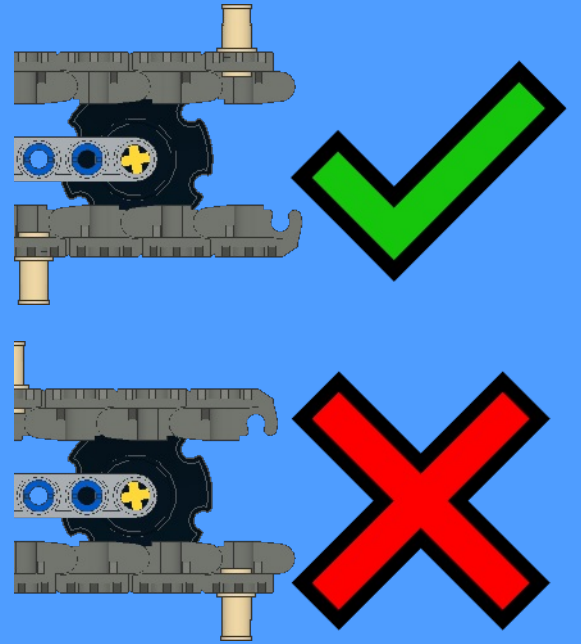
16

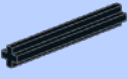
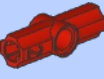


2x	
6x	1x
1x	
4x	1x

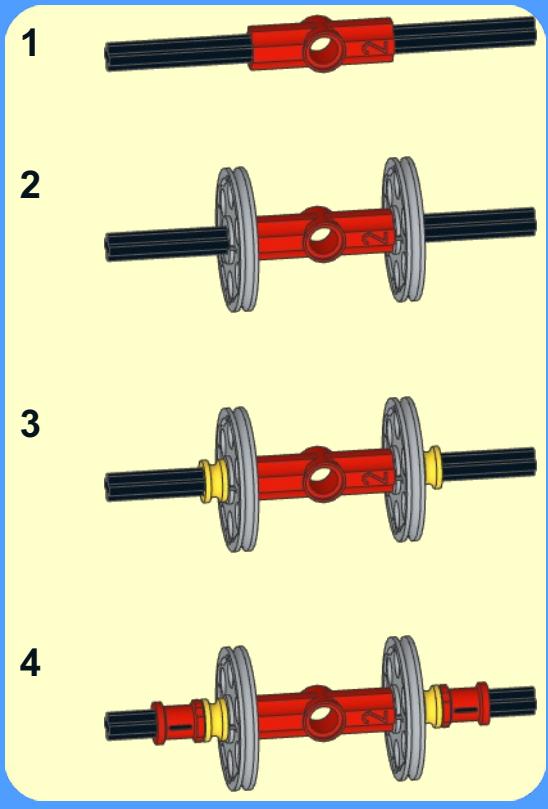
-
-
-
-
-



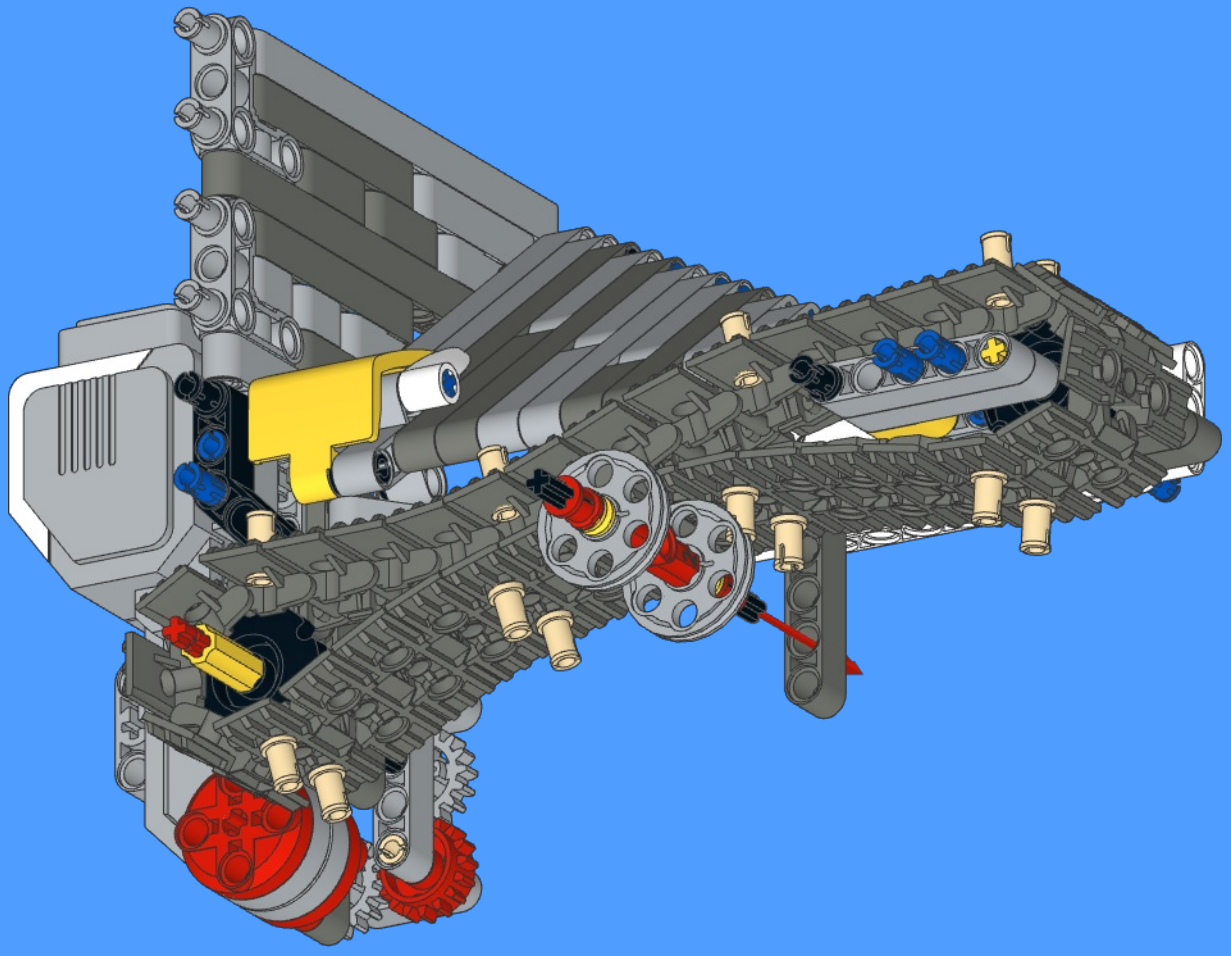




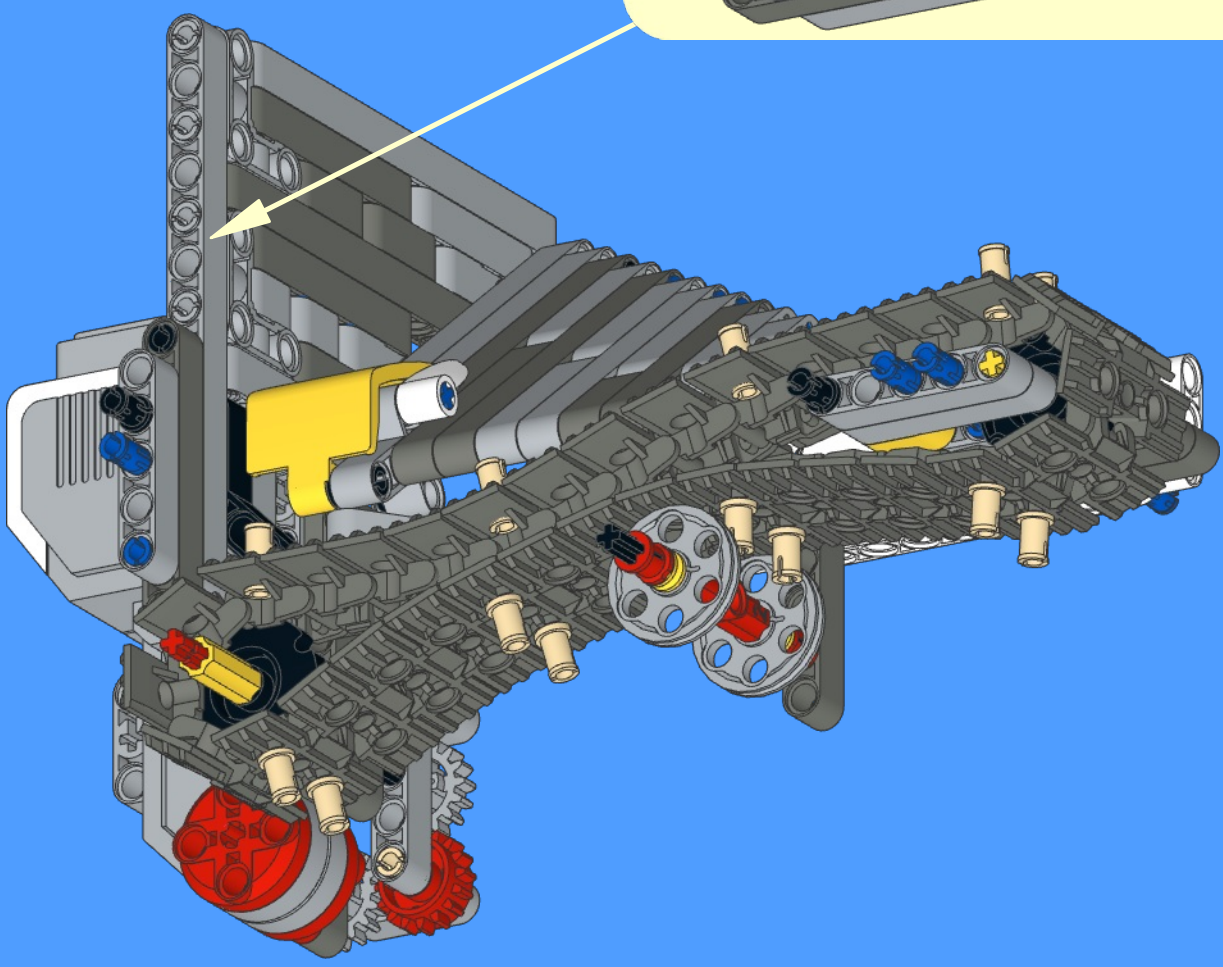
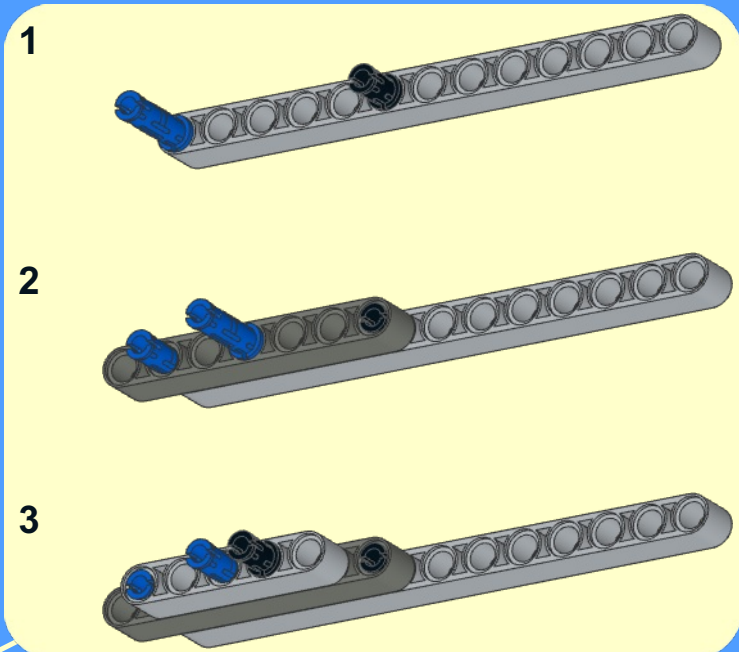
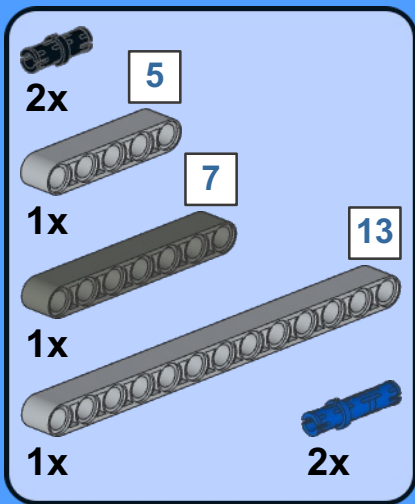
			
2x	1x	2x	2x

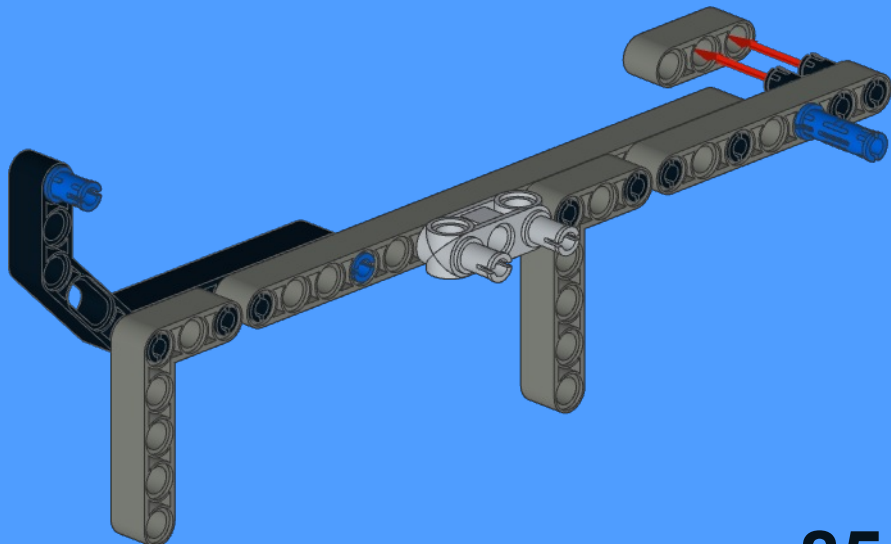
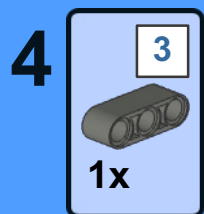
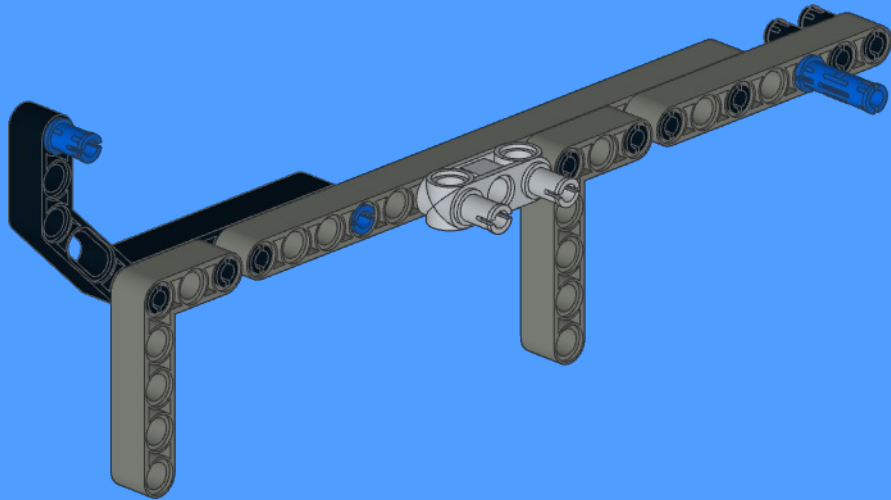
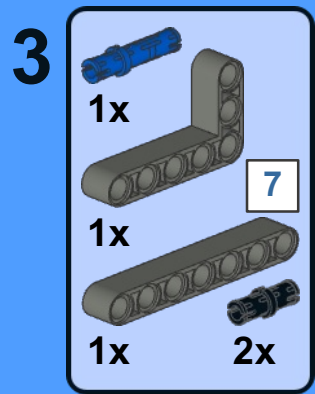
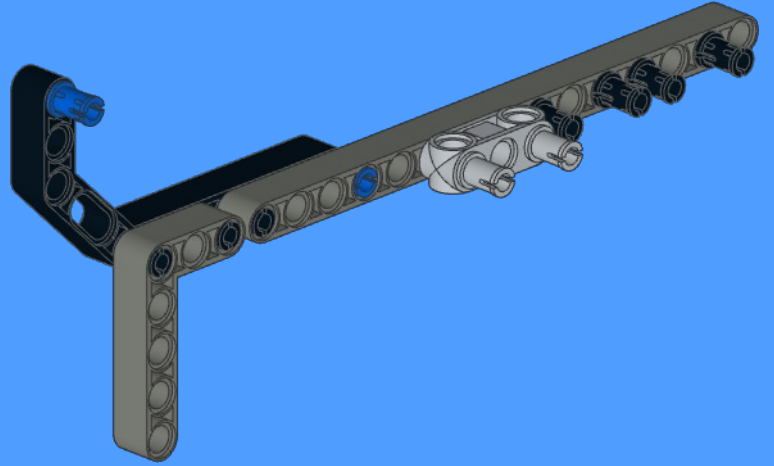
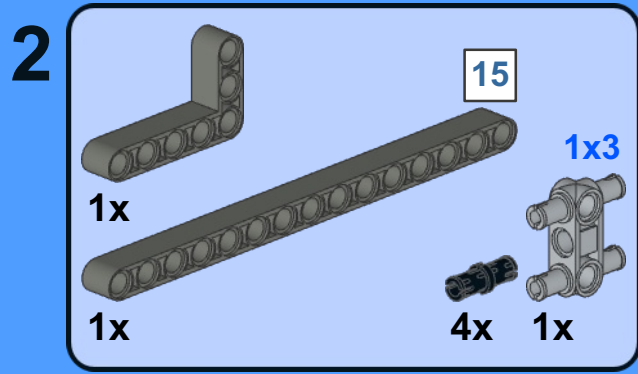
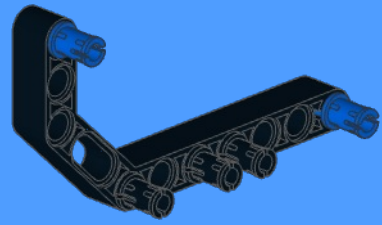
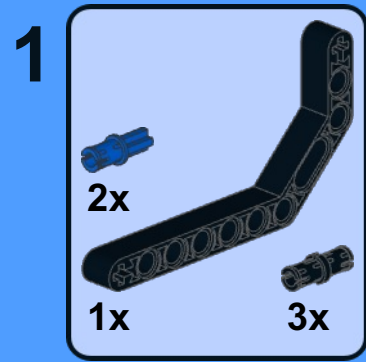


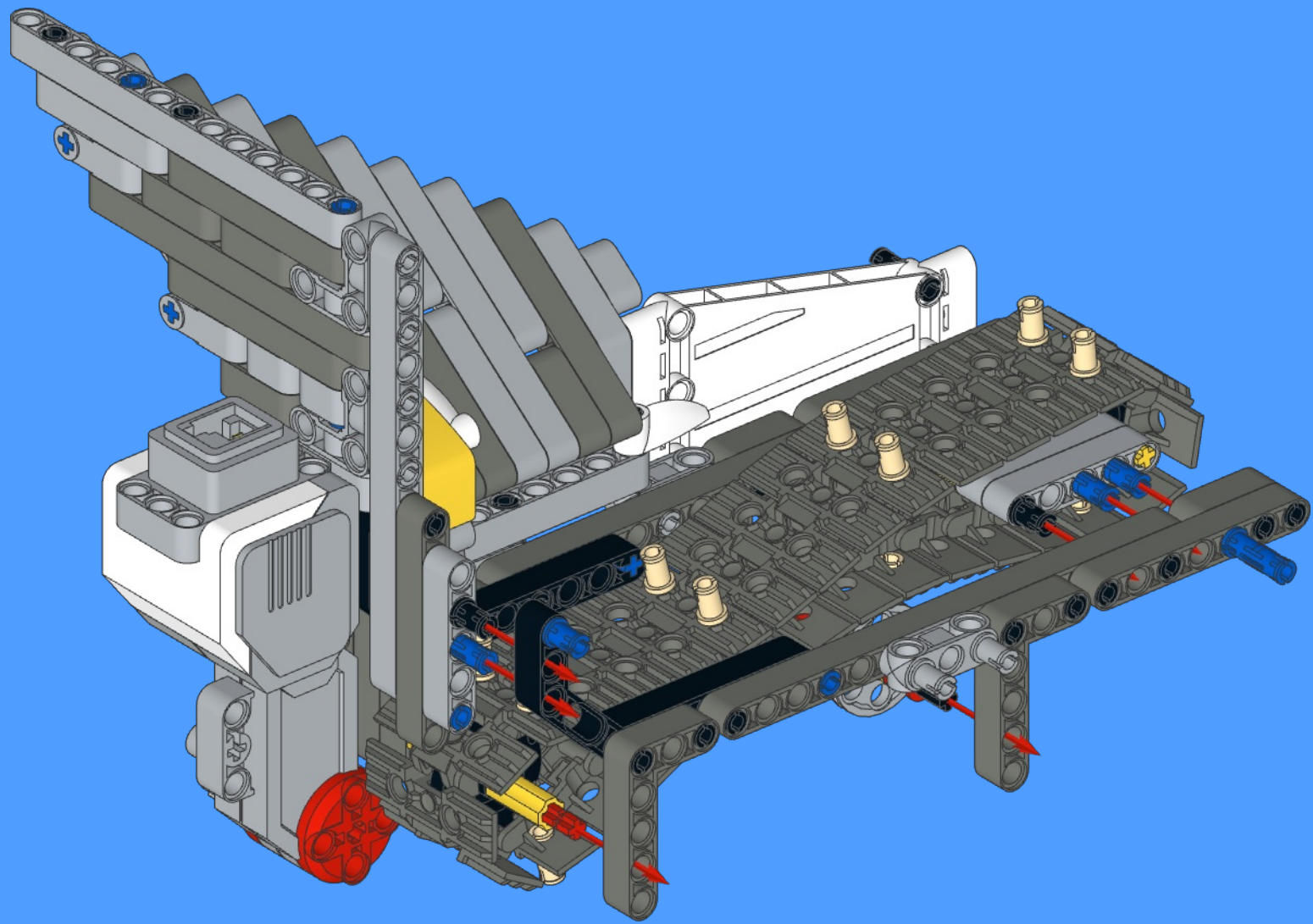
1. A black axle with a red connector in the center.
2. Two grey gears are placed on the axle, one on each side of the red connector.
3. Two yellow bushings are added to the axle, one on each side of the gears.
4. Two red connectors are added to the axle, one on each side of the yellow bushings.

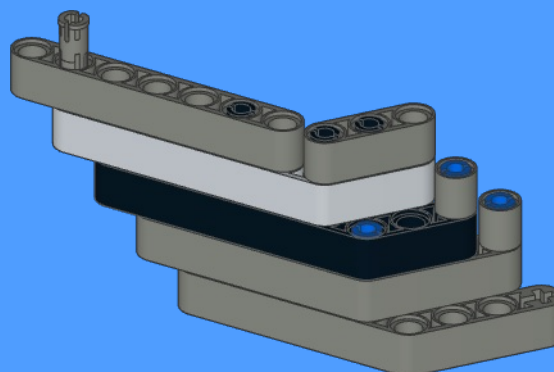
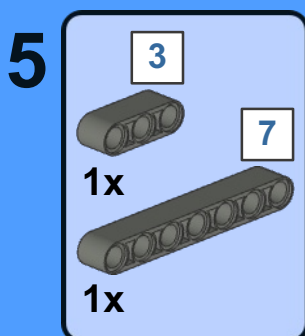
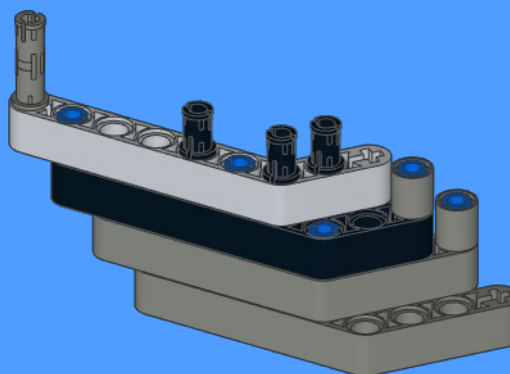
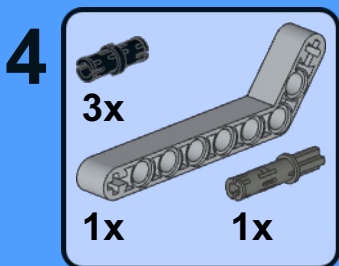
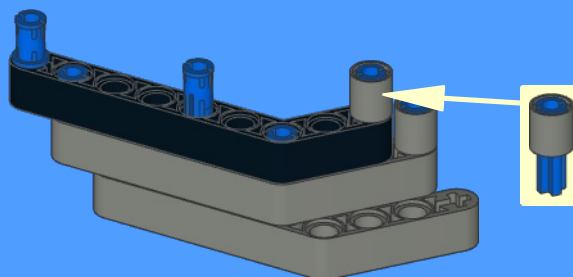
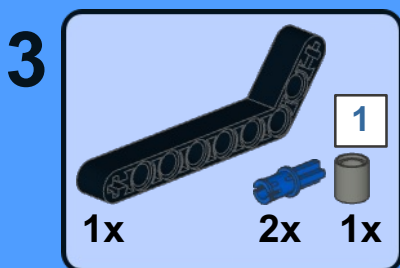
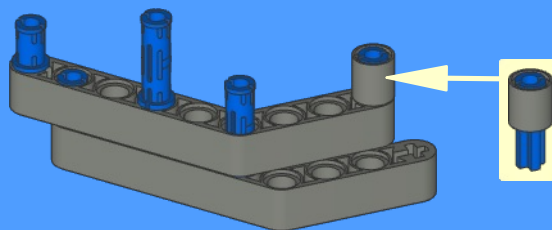
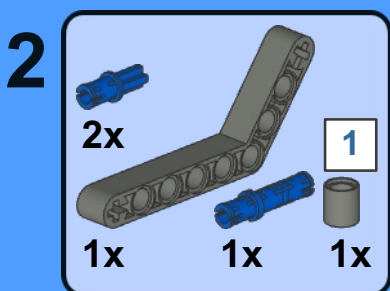
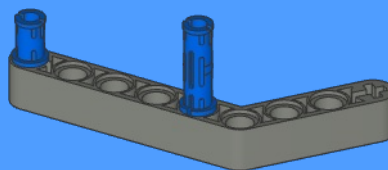
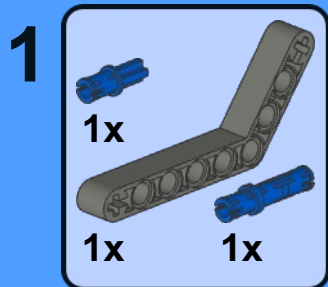




19

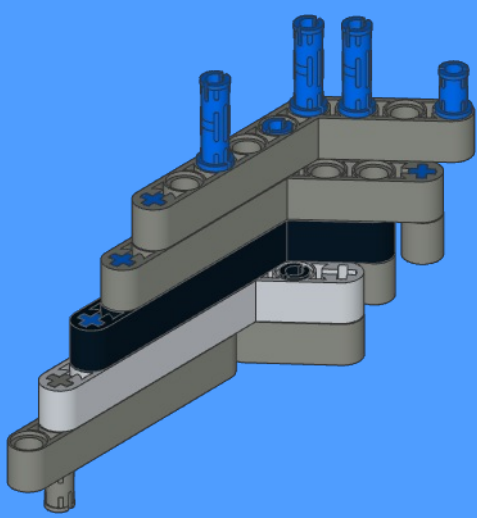




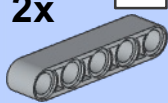


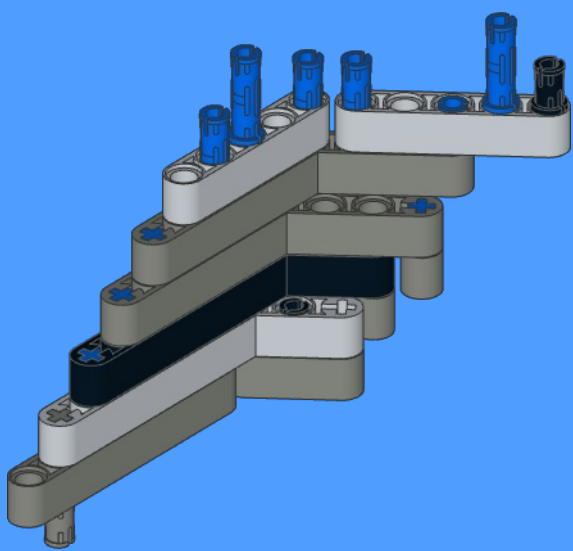



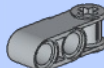


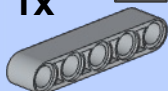



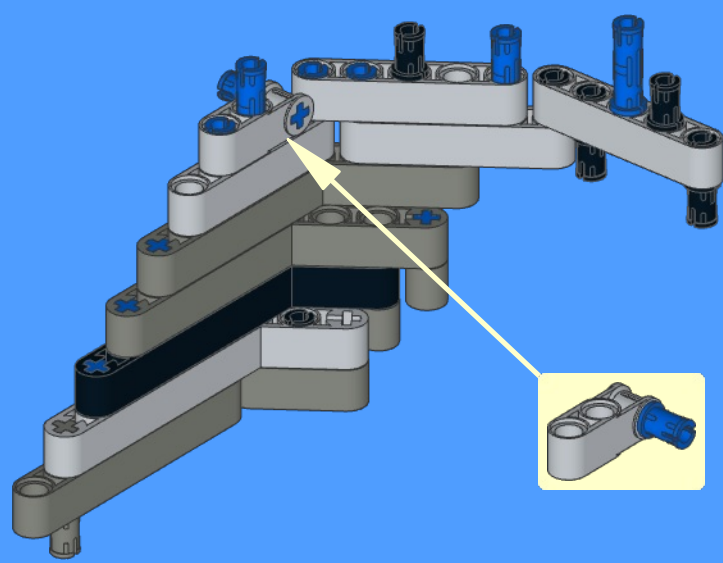
- 6**
-  1x
 -  3x



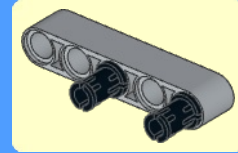
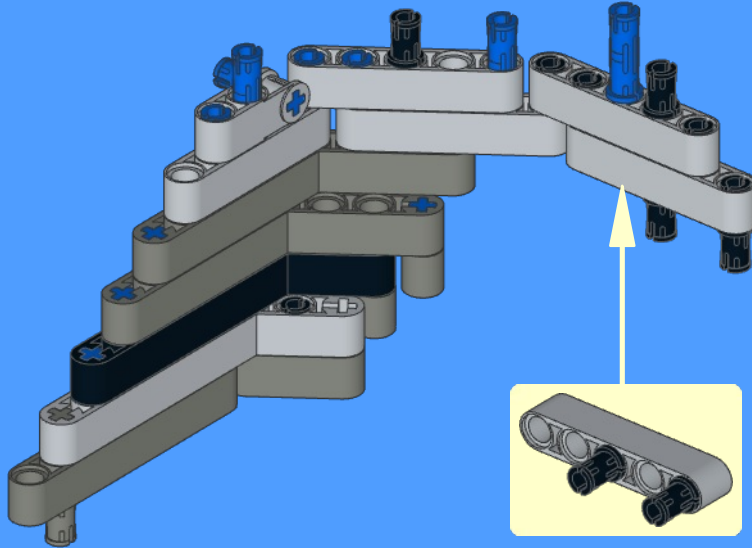
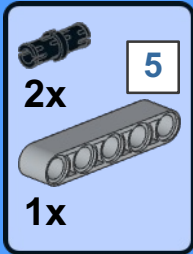
- 7**
-  1x
 -  2x
 -  2x



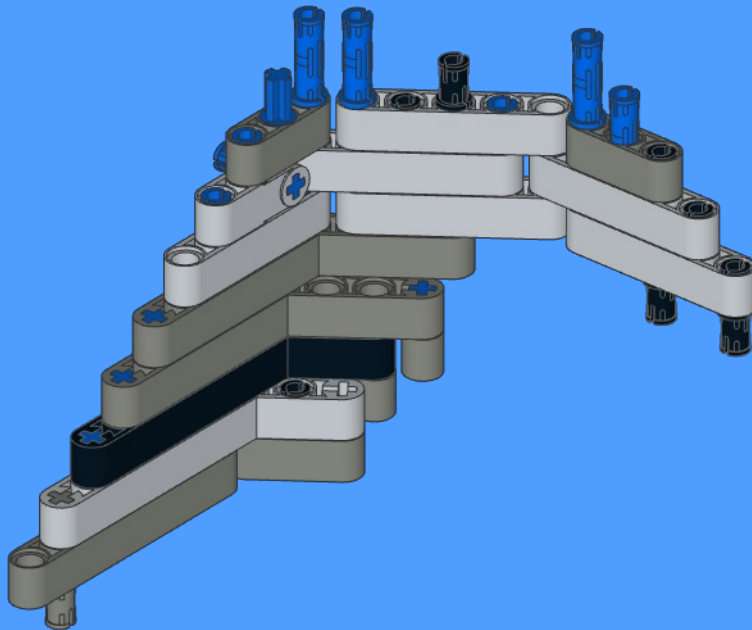
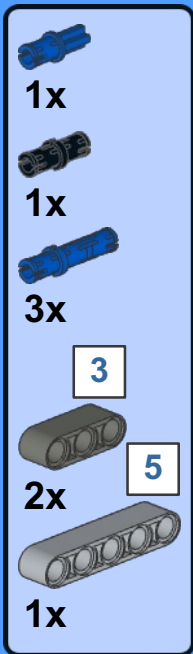
- 8**
-  4x
 -  1x3
 -  1x
 -  1x
 -  2x
 -  1x



9

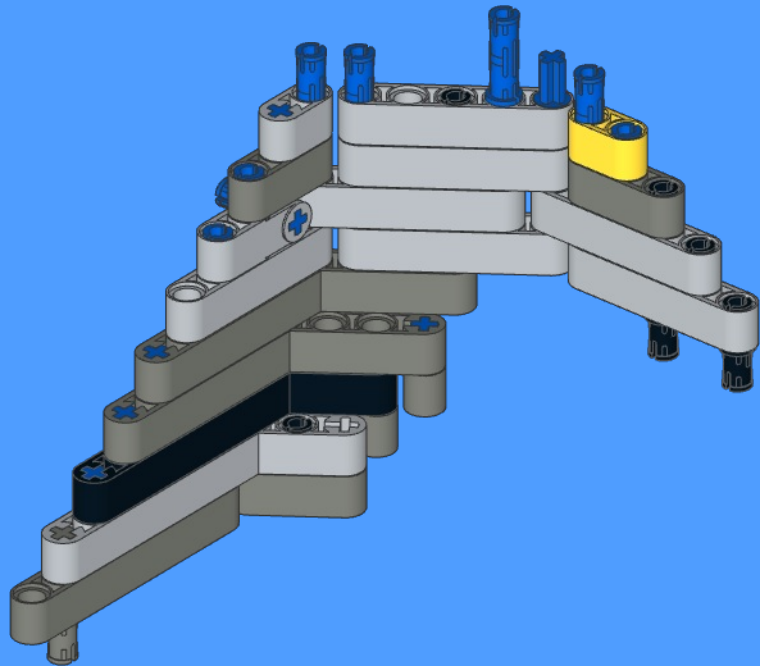


10



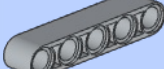


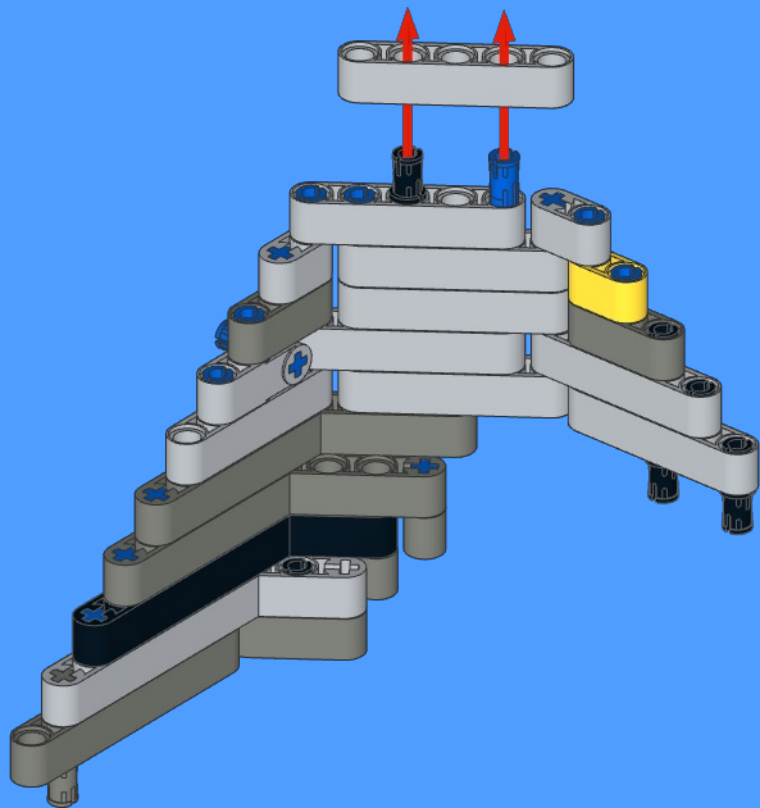
11

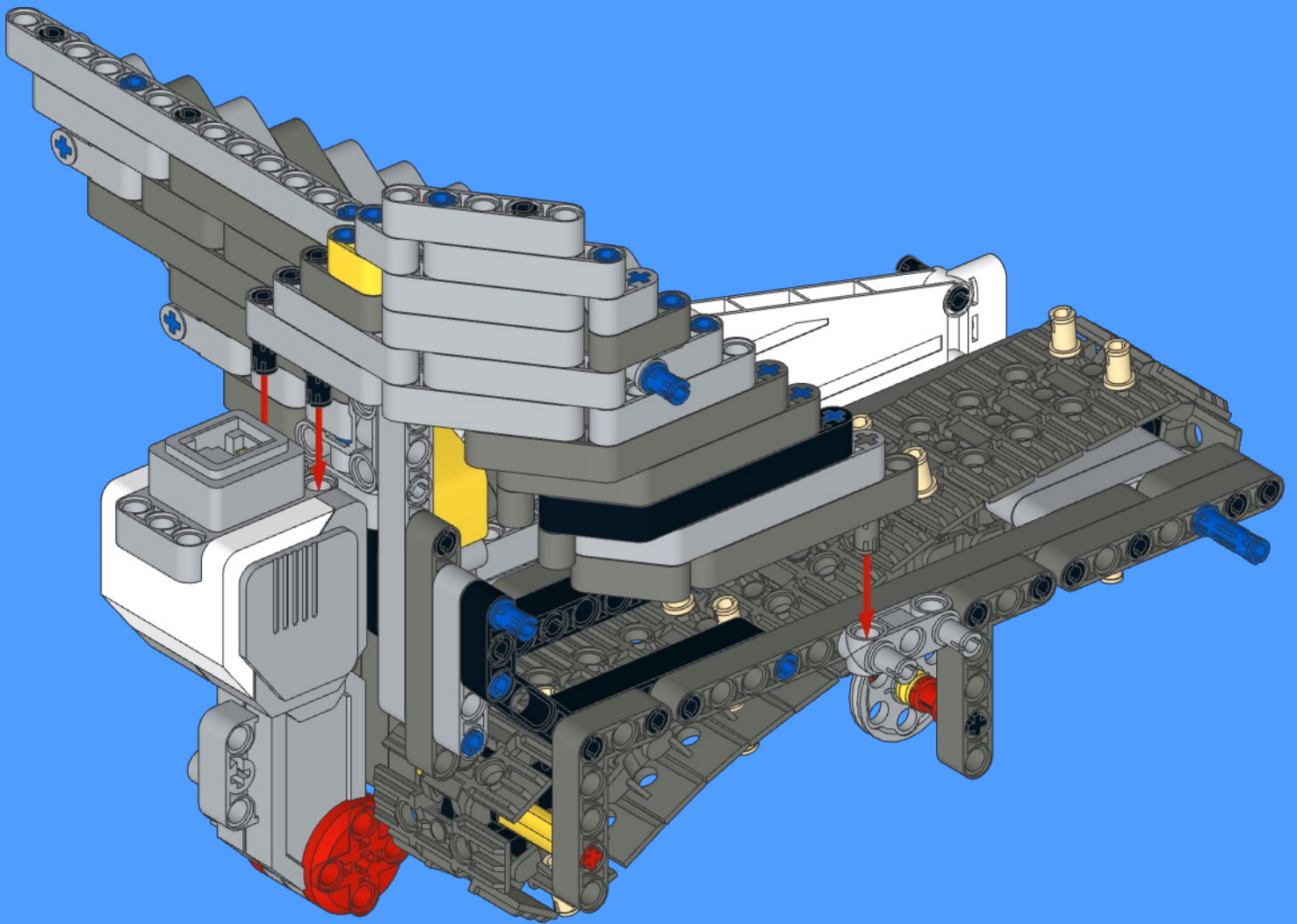
-  1x
-  1x
-  2
-  1x
-  1x



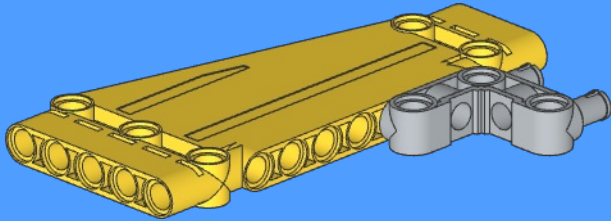
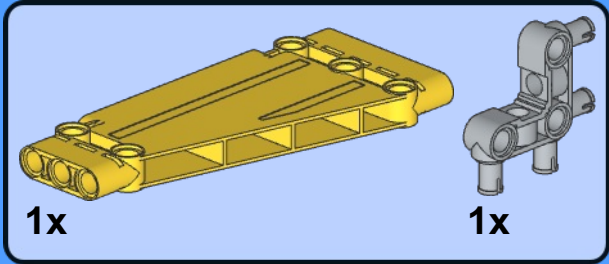
12

-  1x
-  1x
-  2x

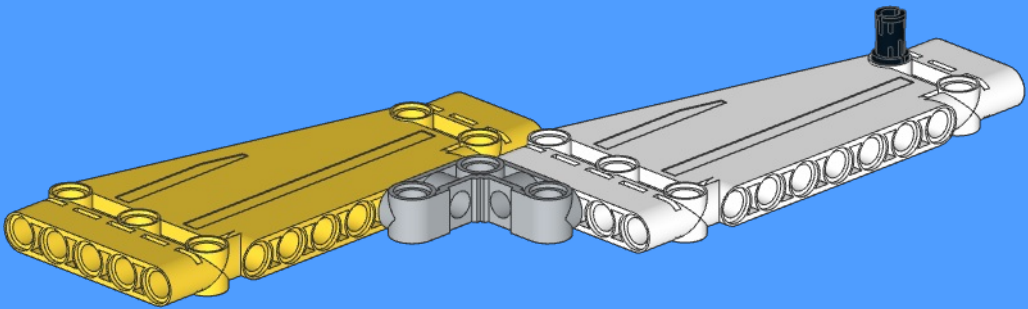
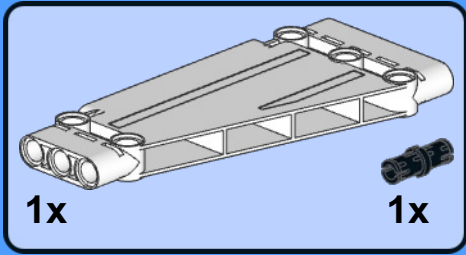


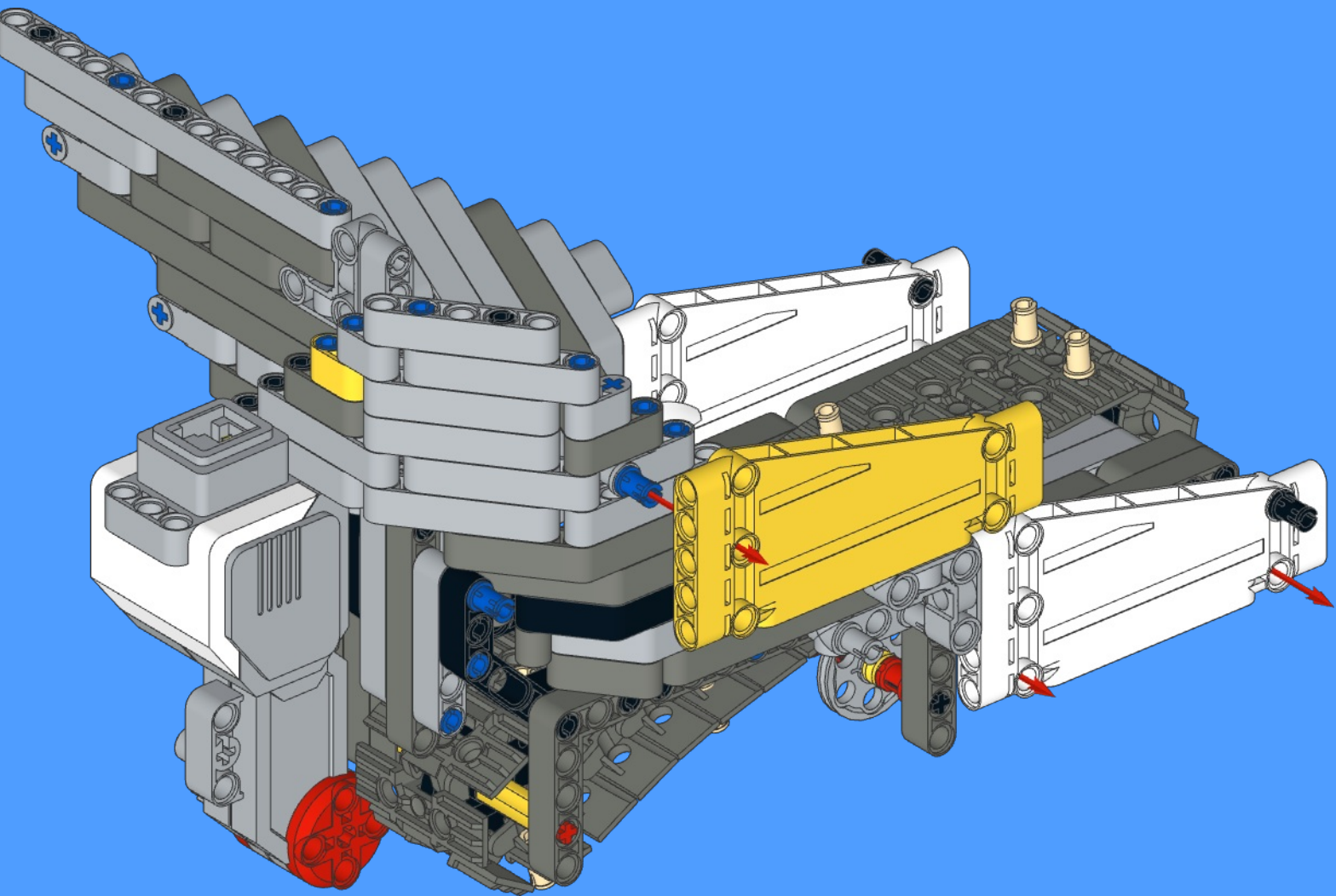


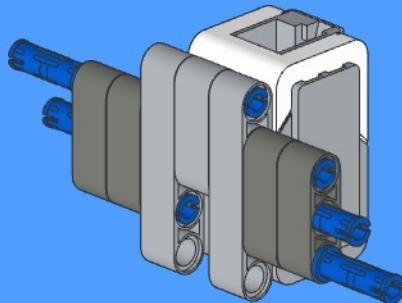
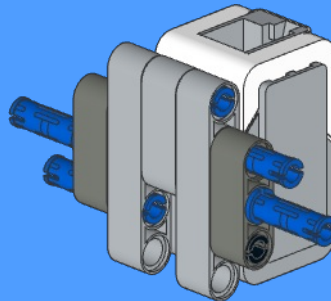
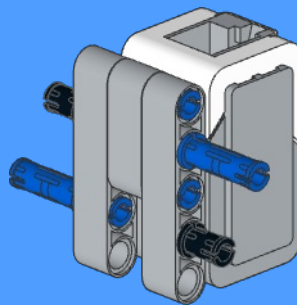
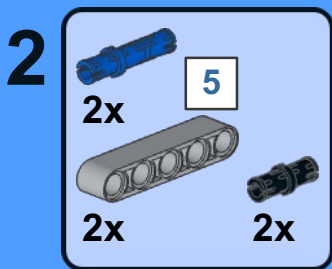
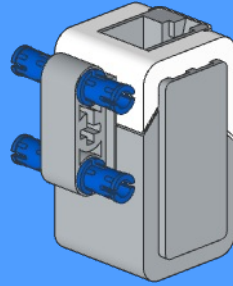
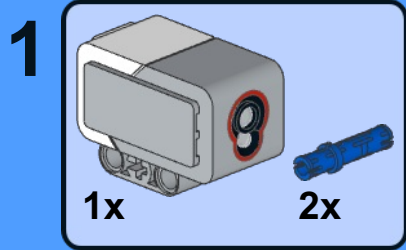
1

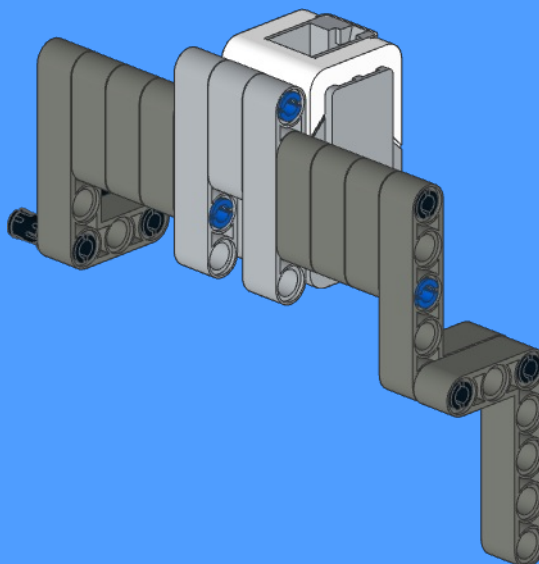
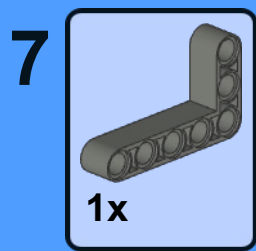
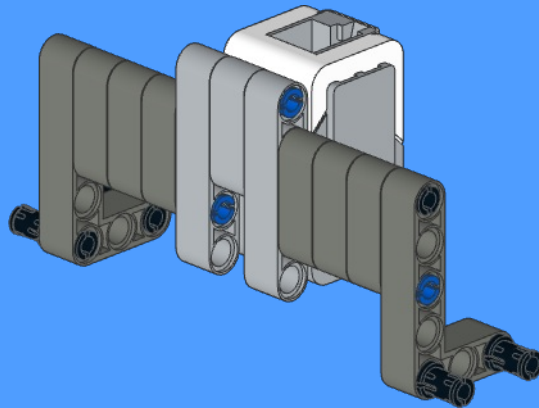
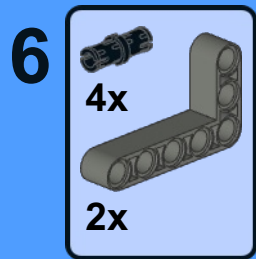
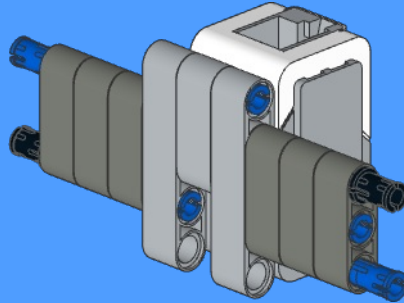
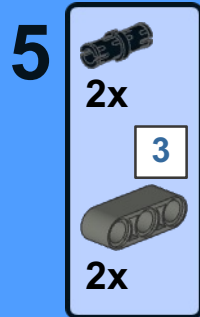


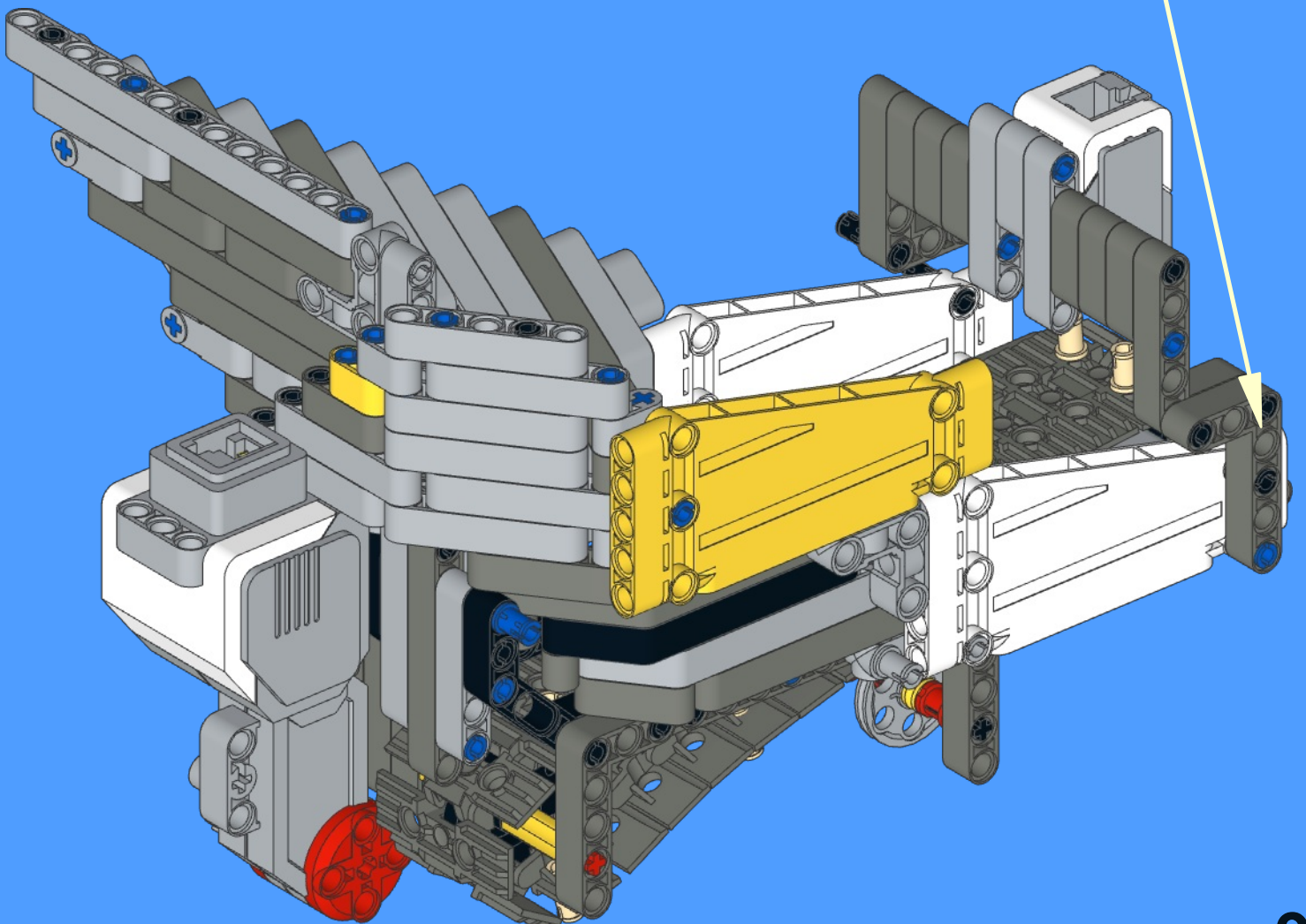
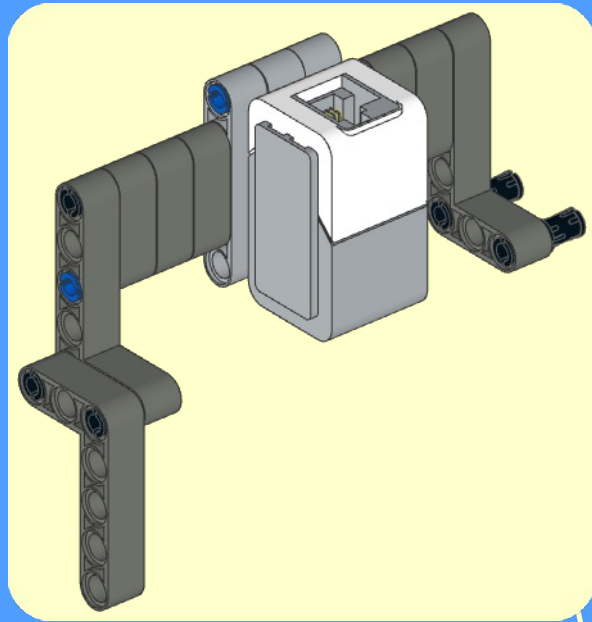
2



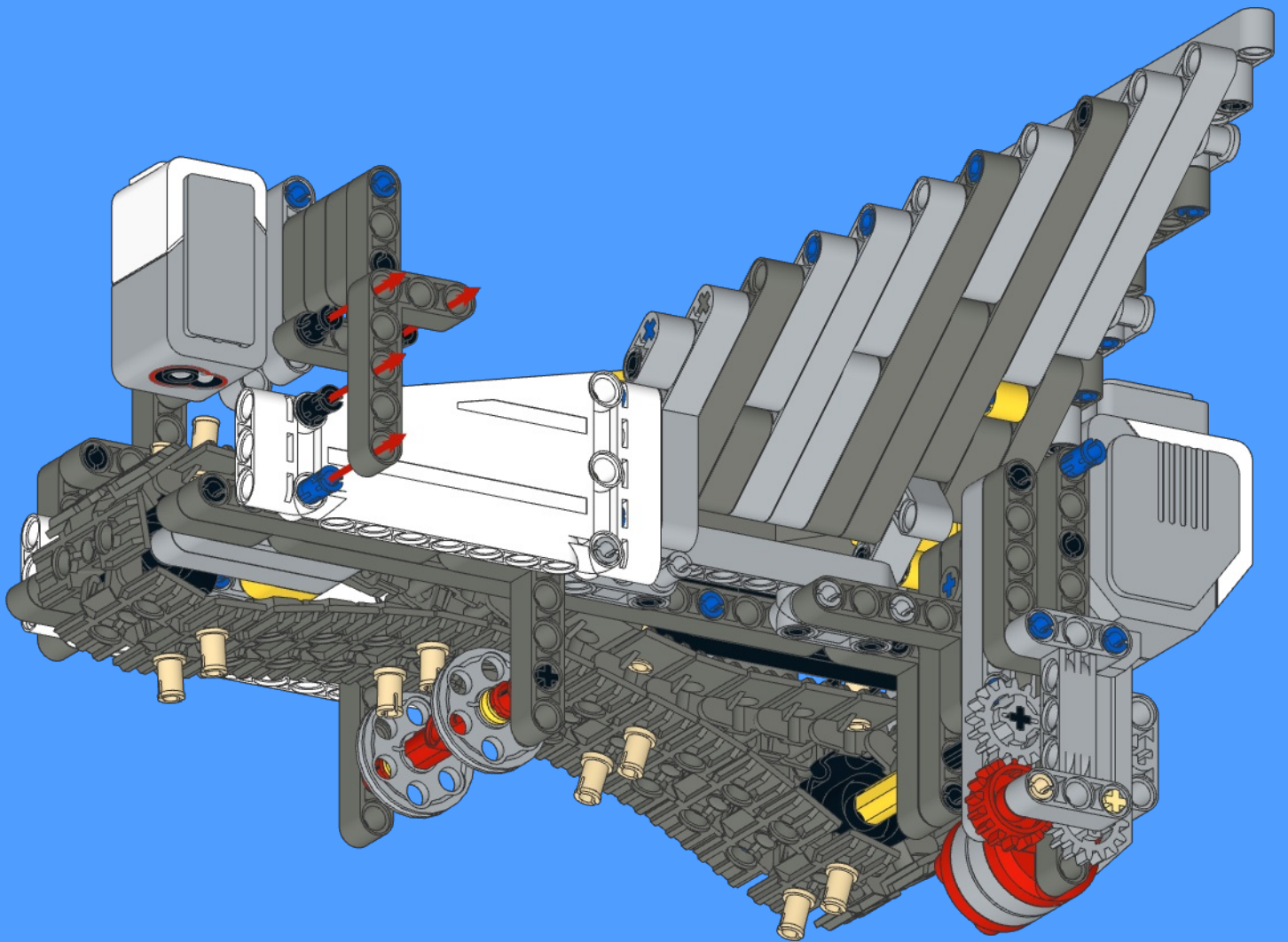
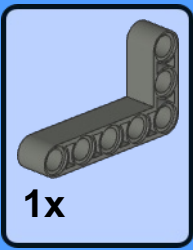




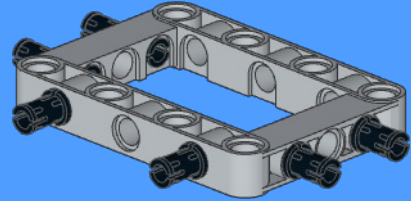
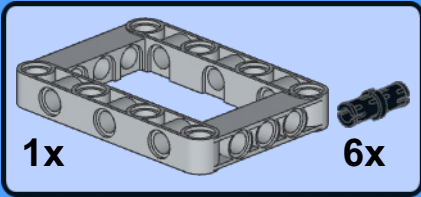




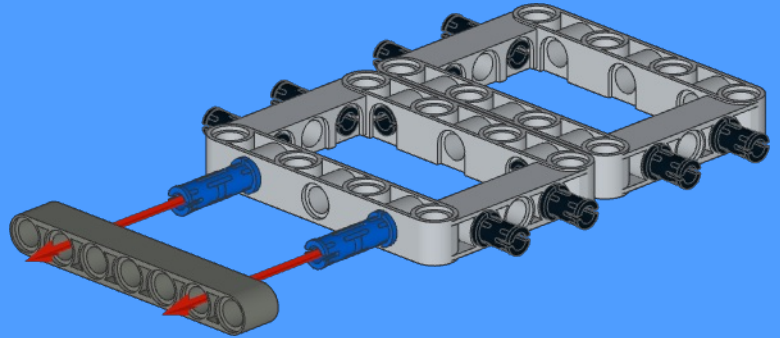
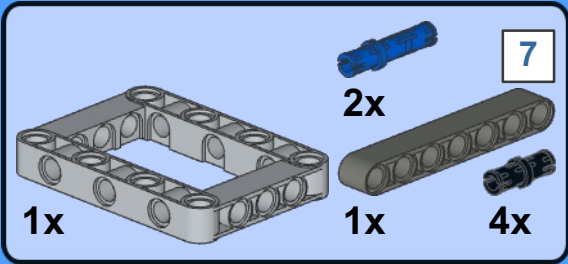
24



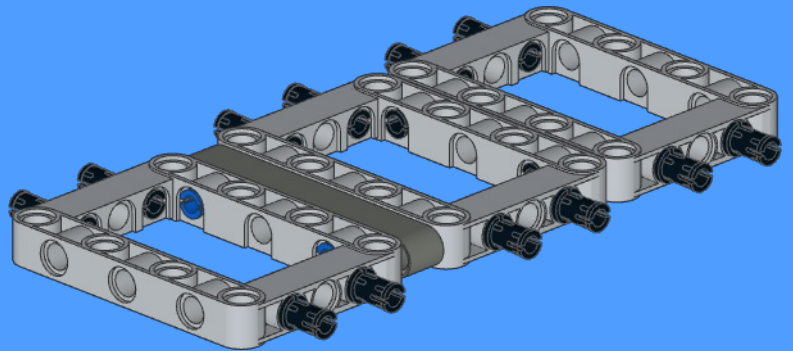
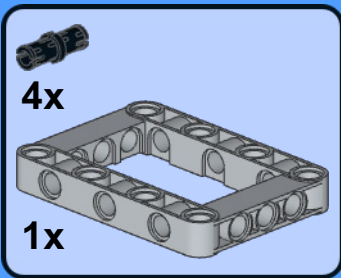
1



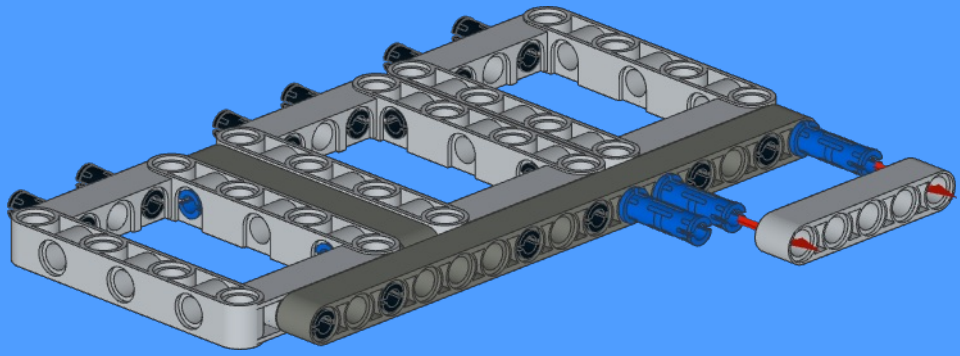
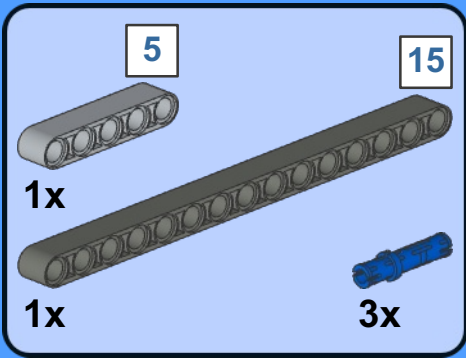
2



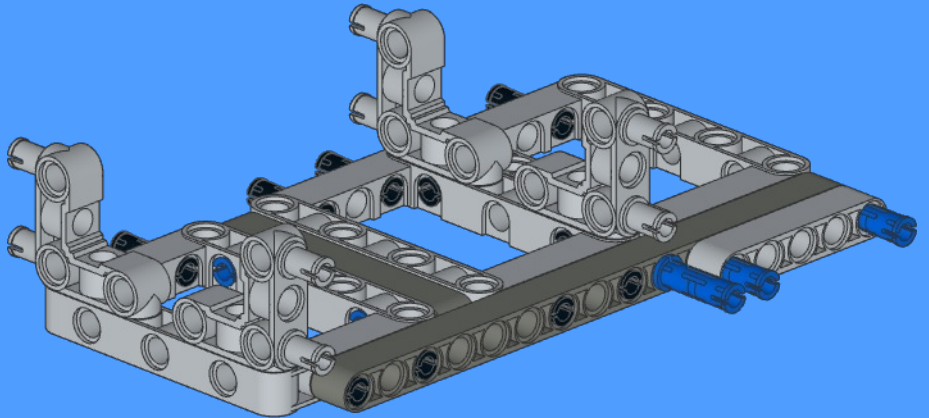
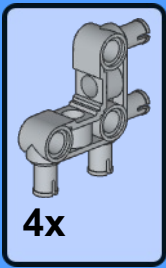
3



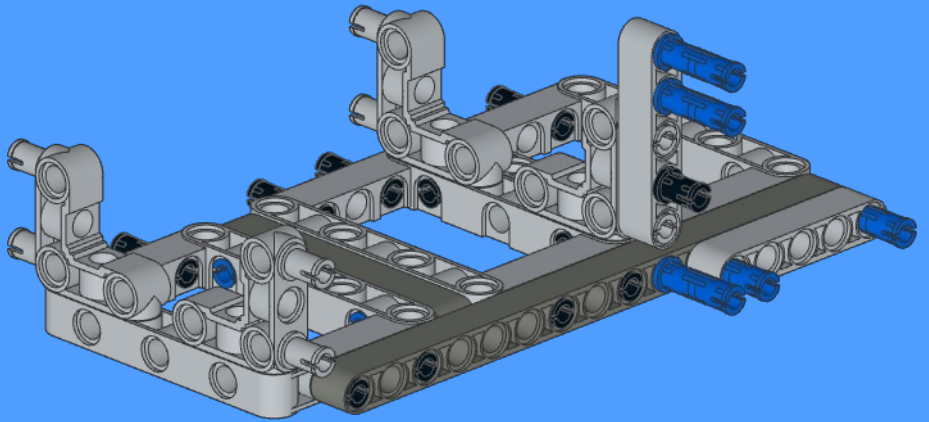
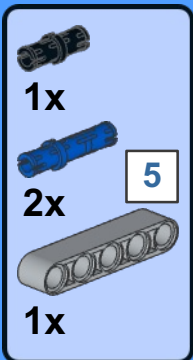
4



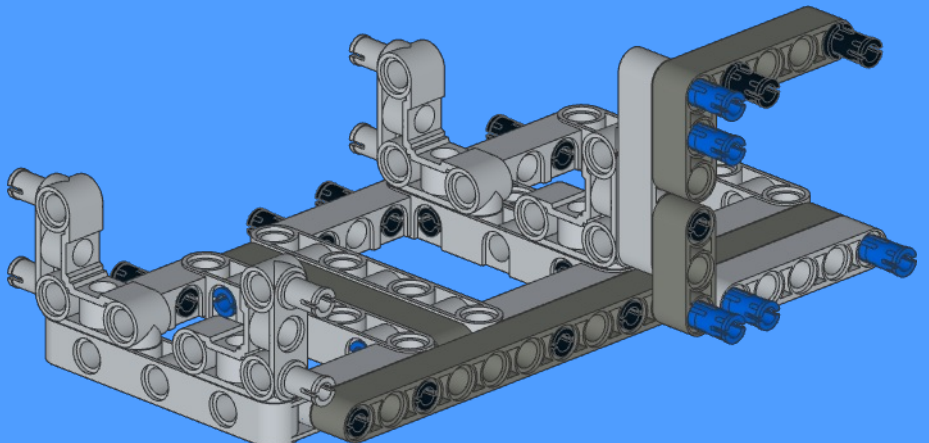
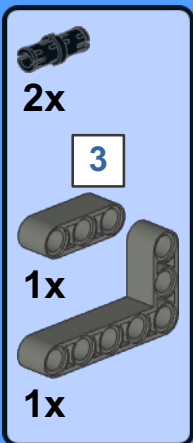
5



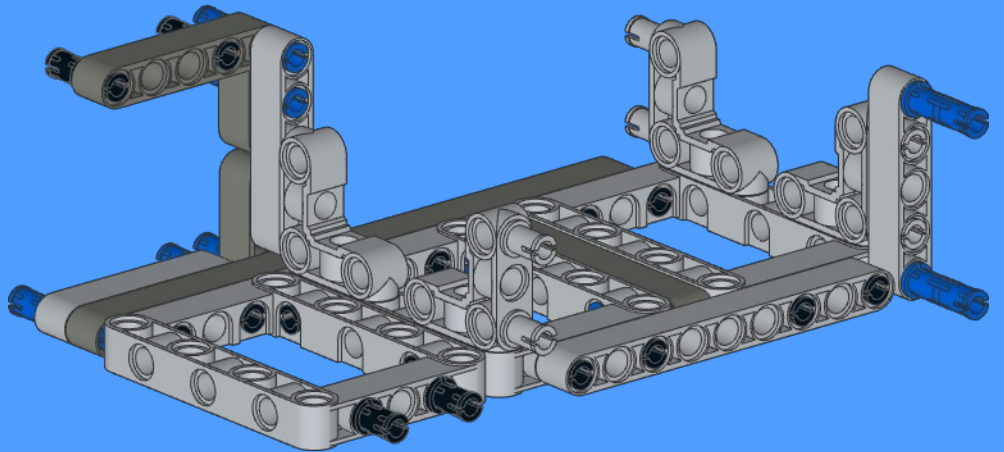
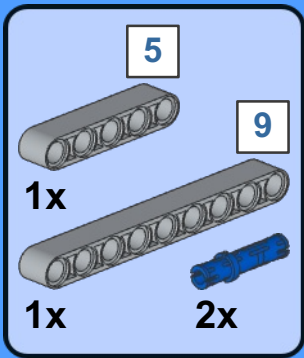
6



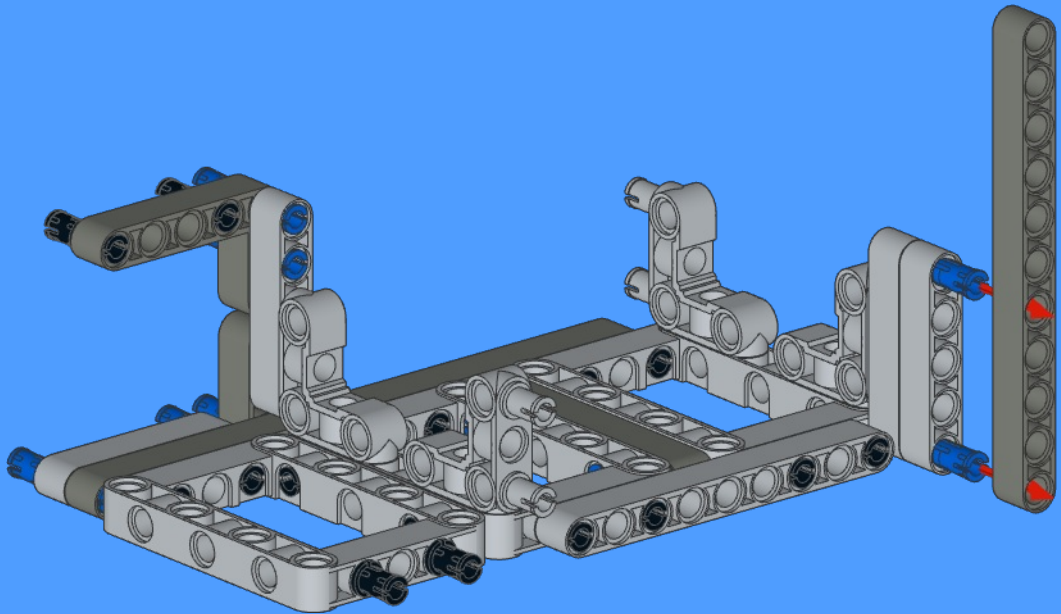
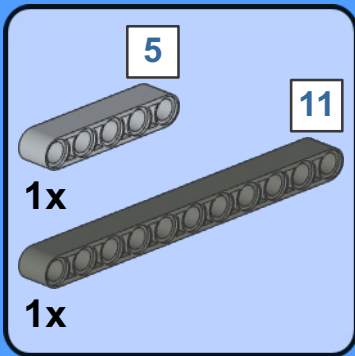
7



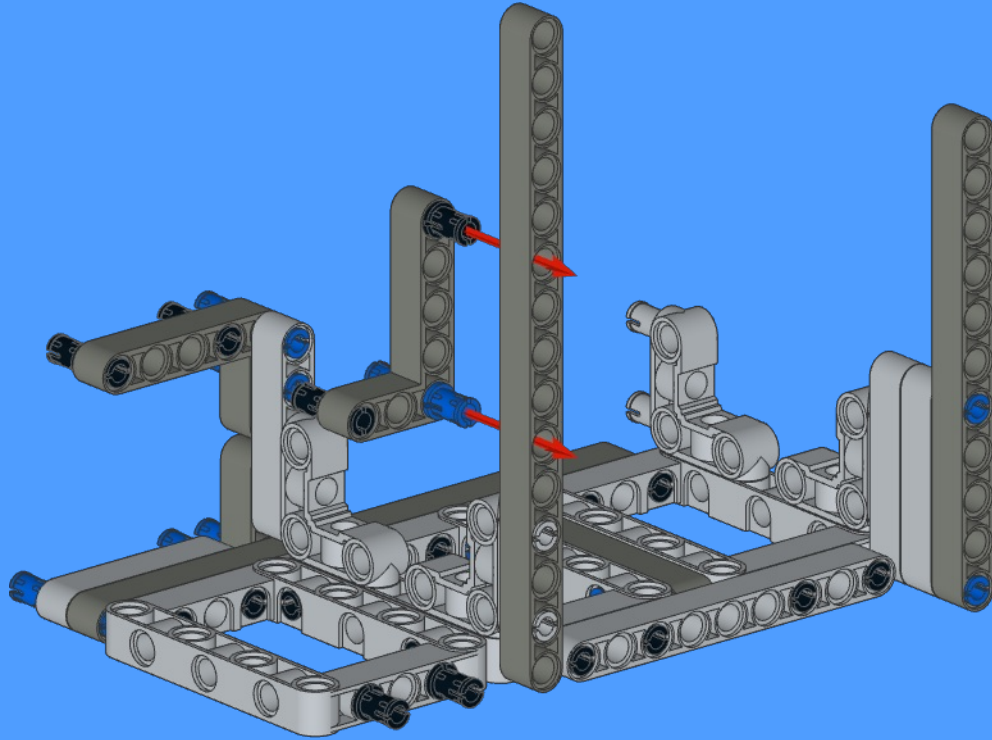
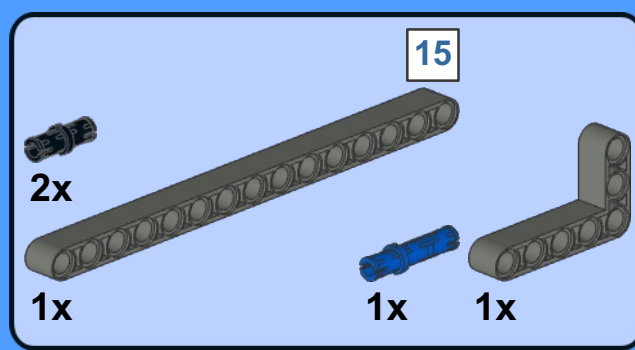
8



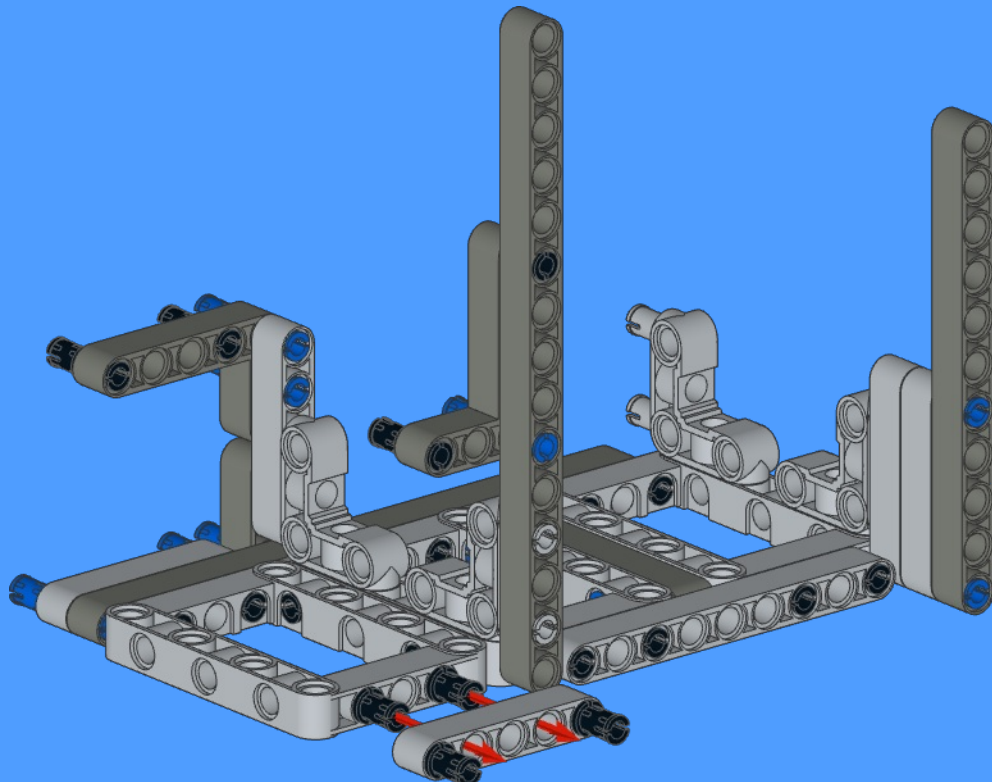
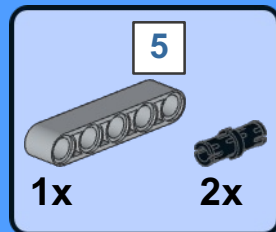
9



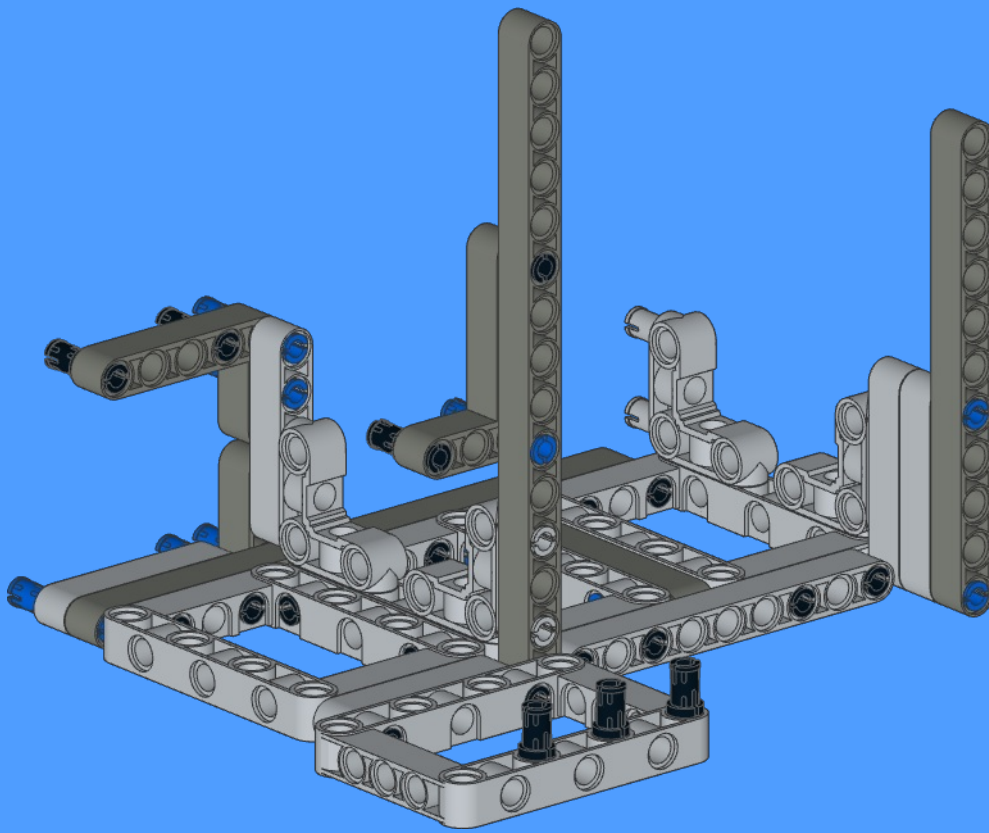
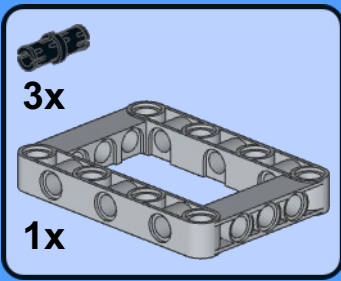
10



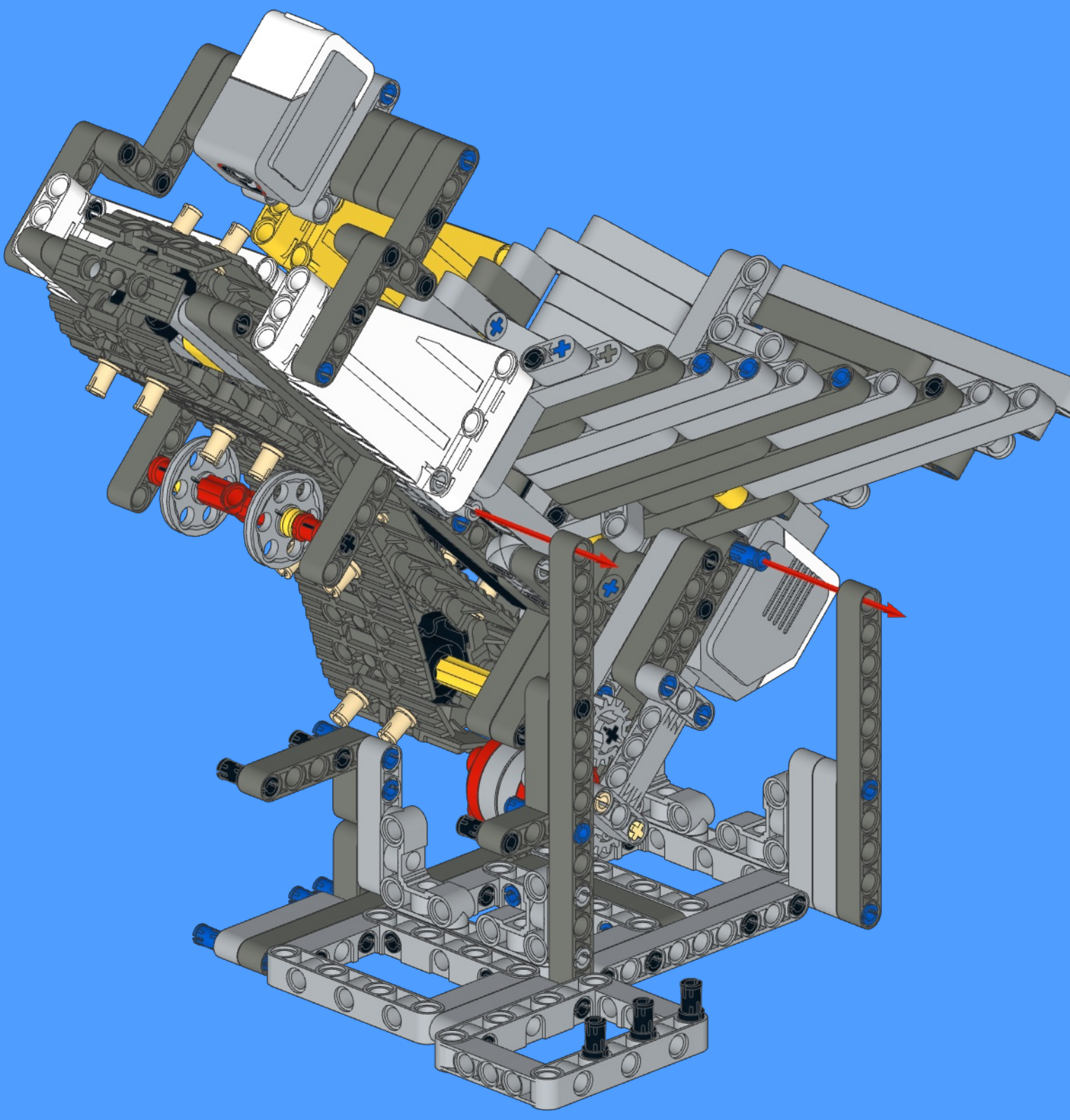
11



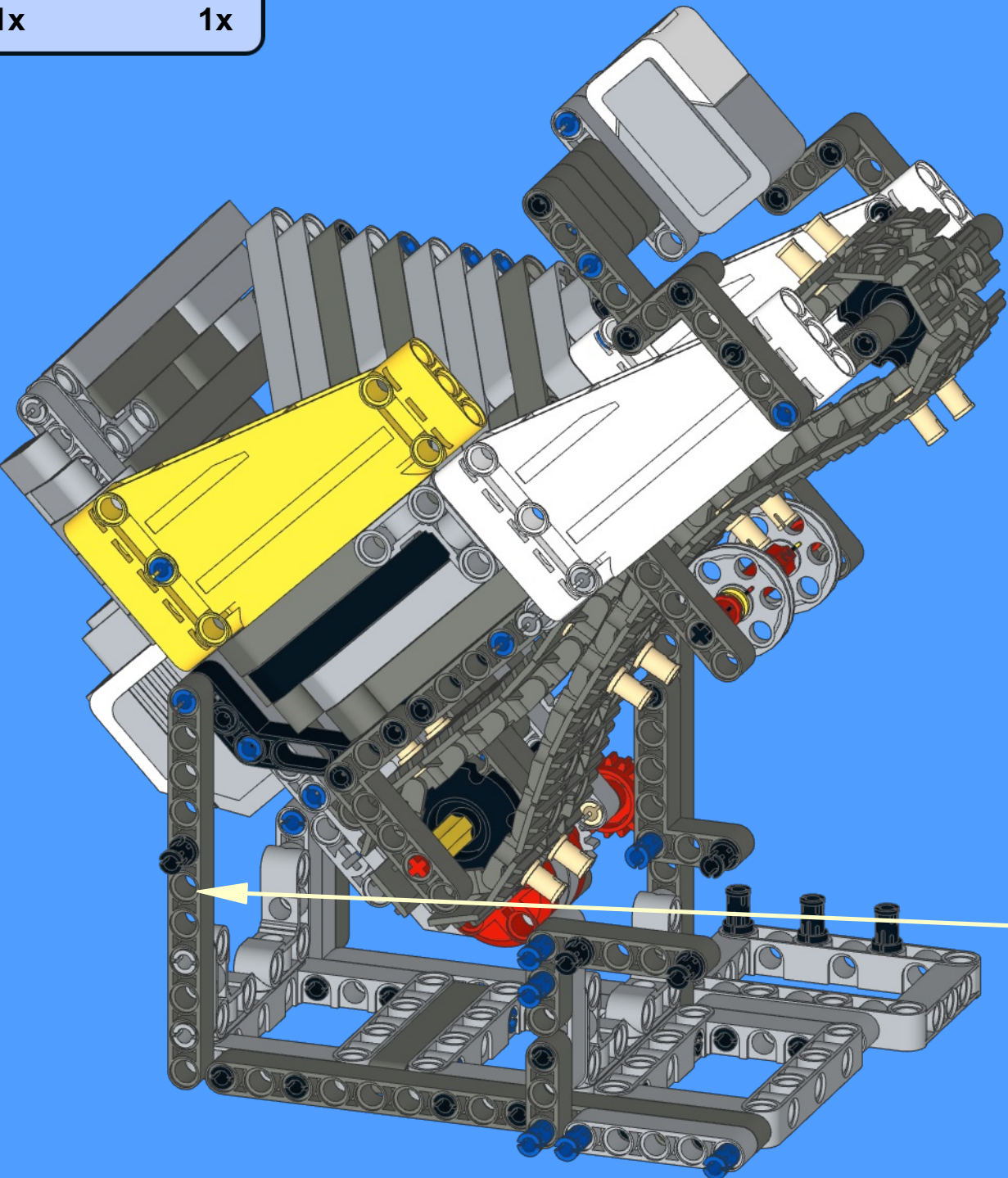
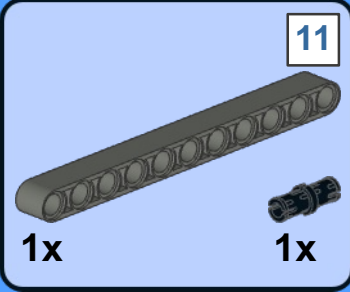
12



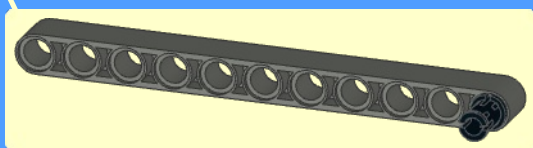
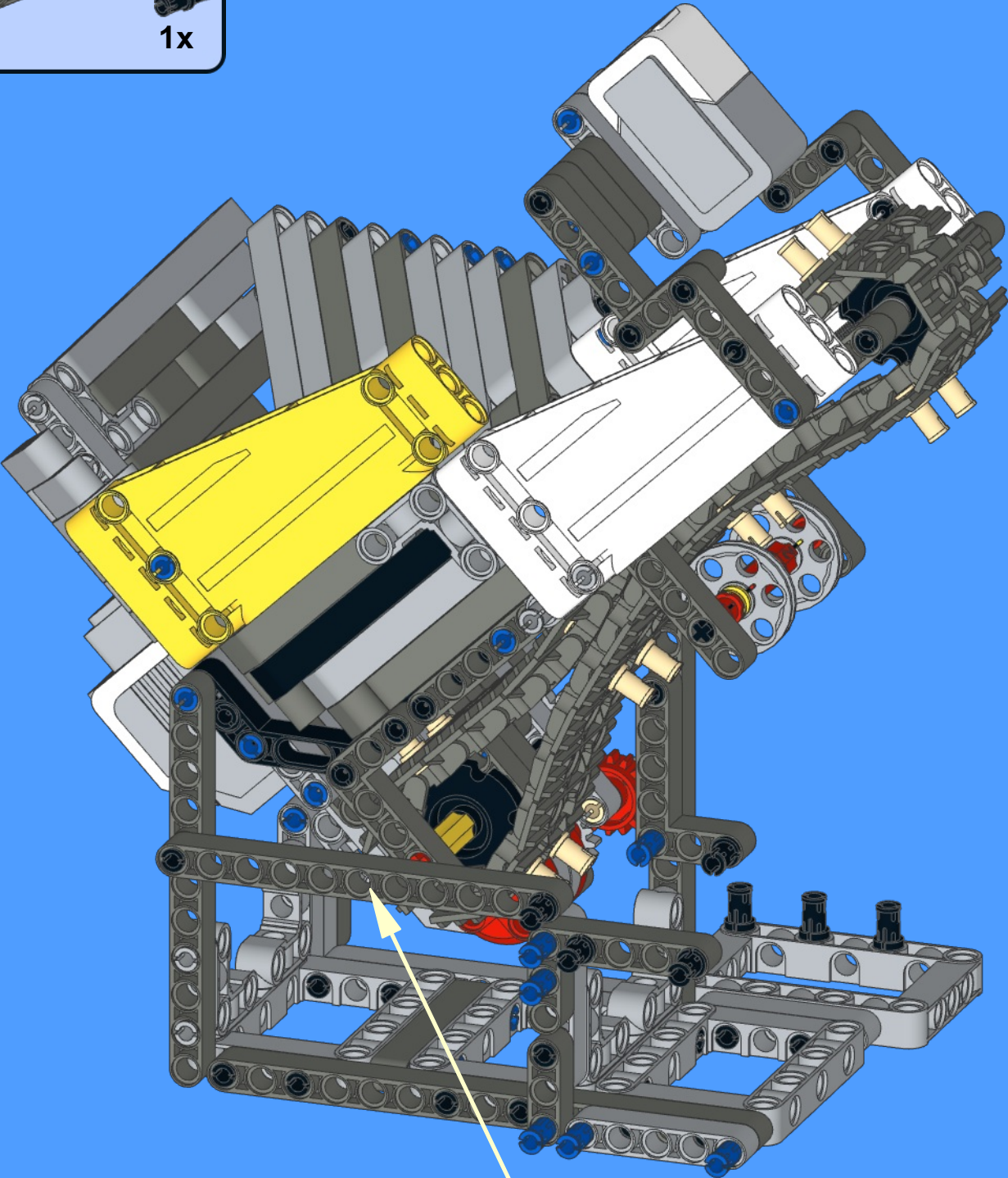
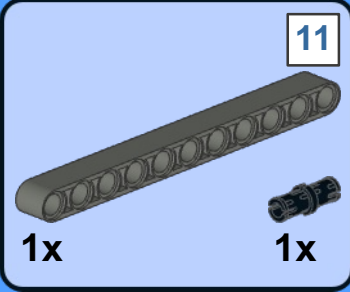
1



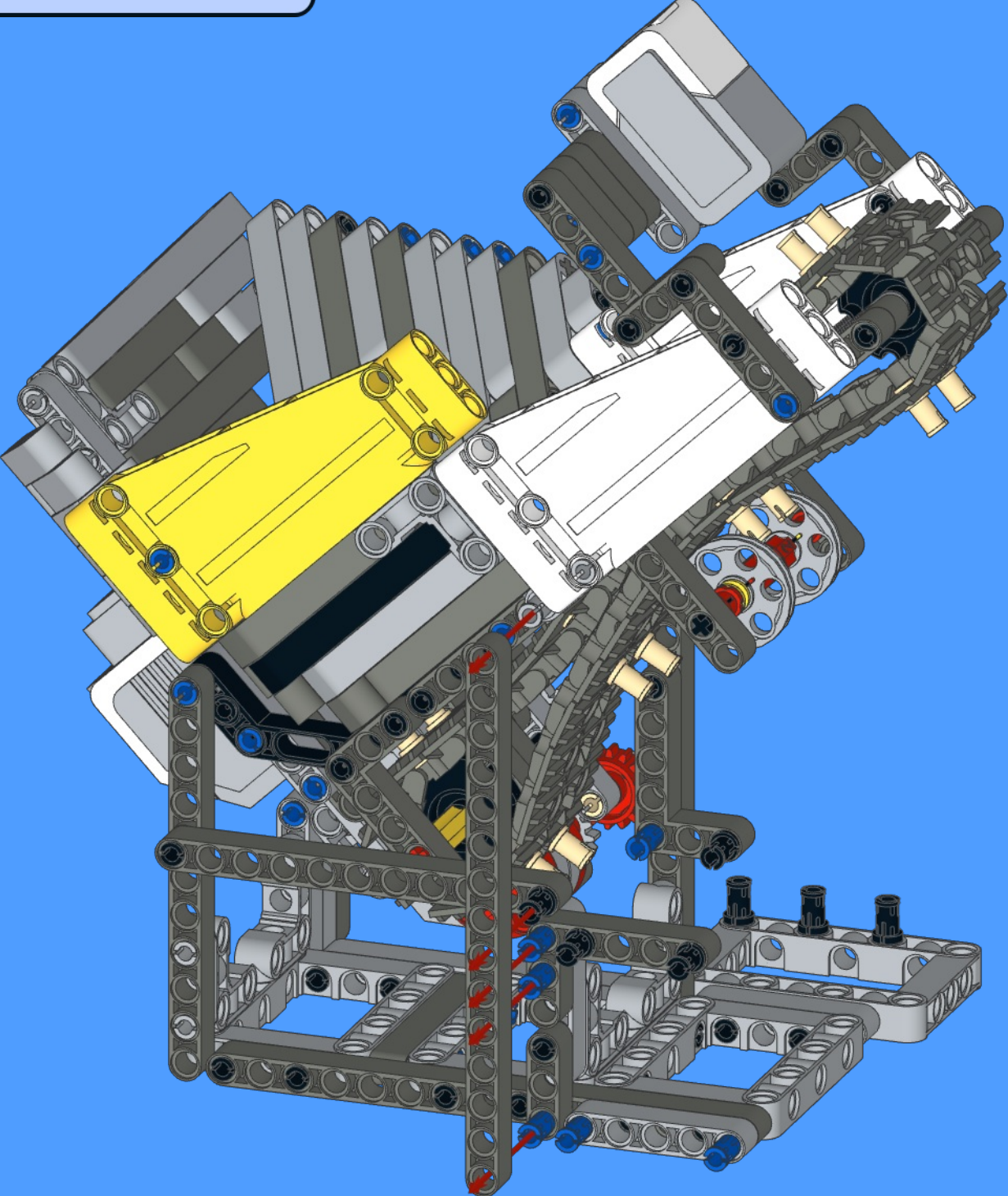
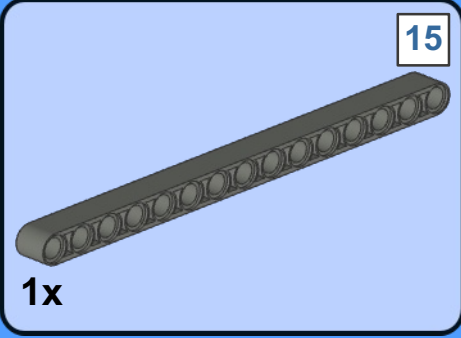
2

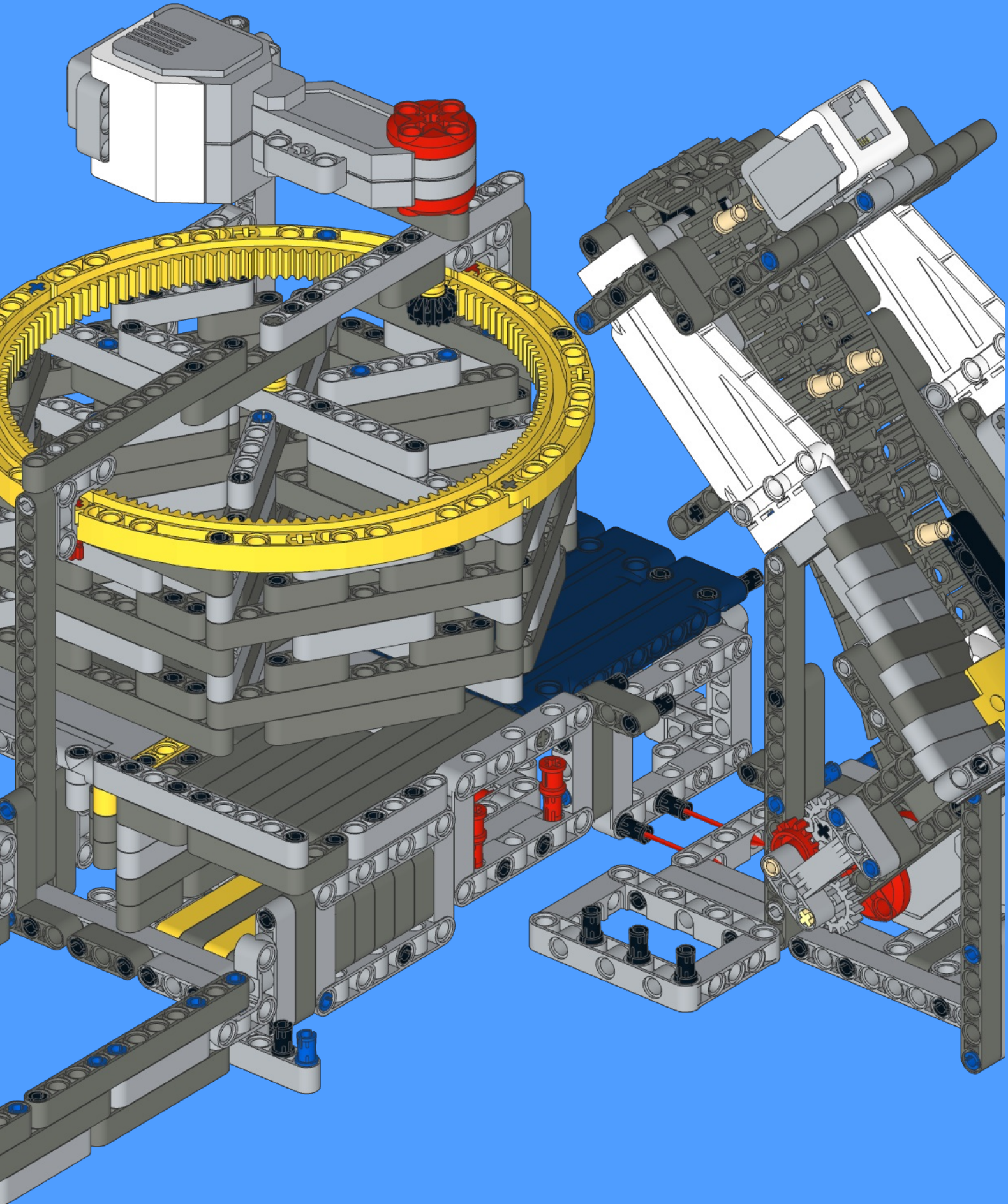


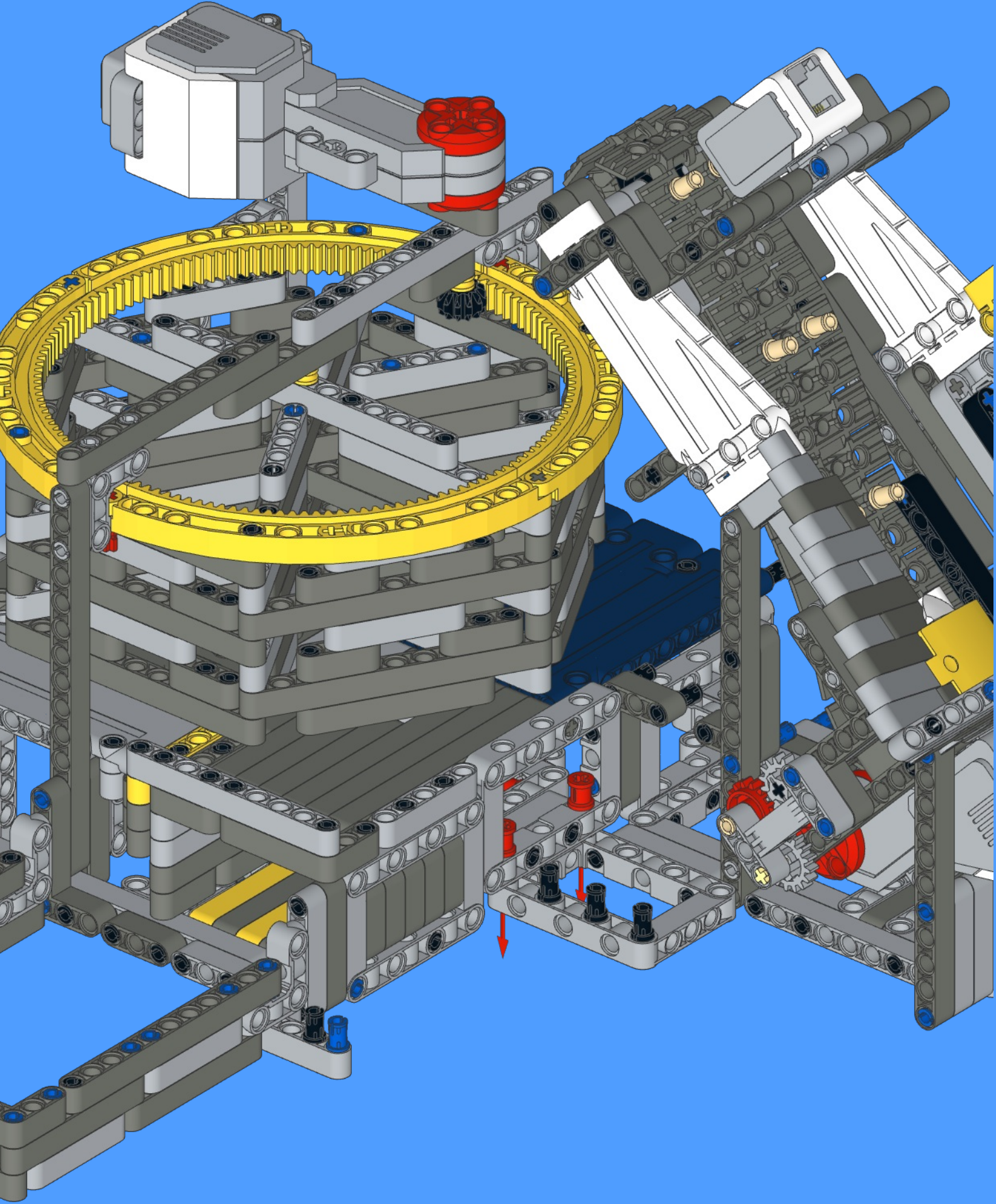
3



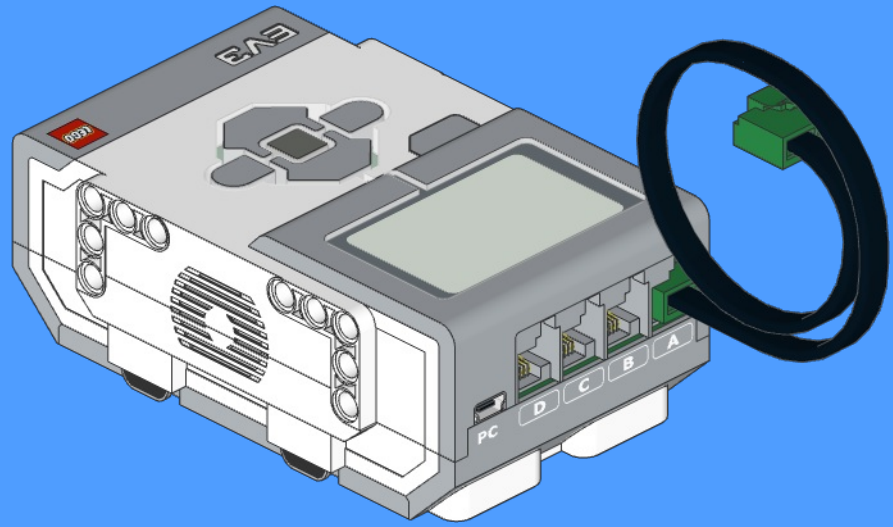
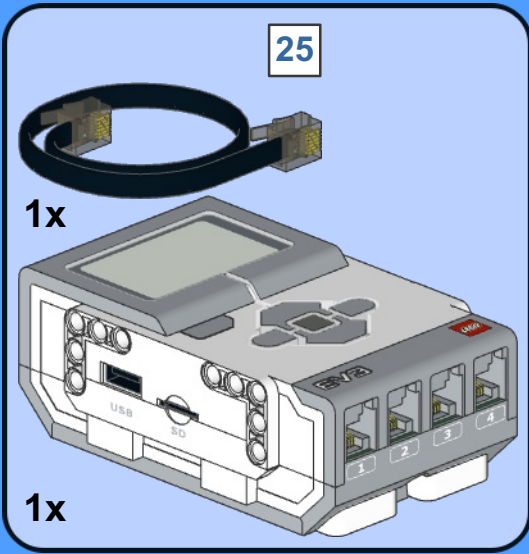
4



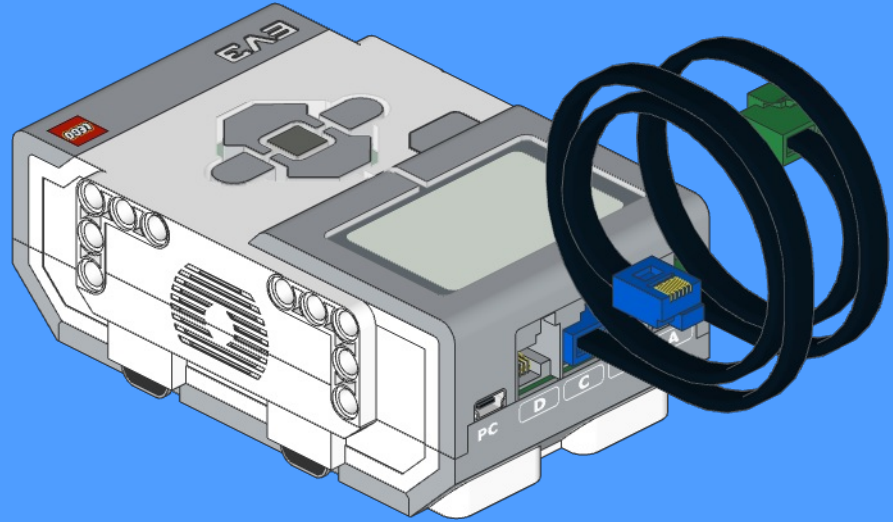
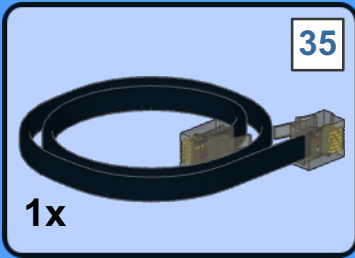




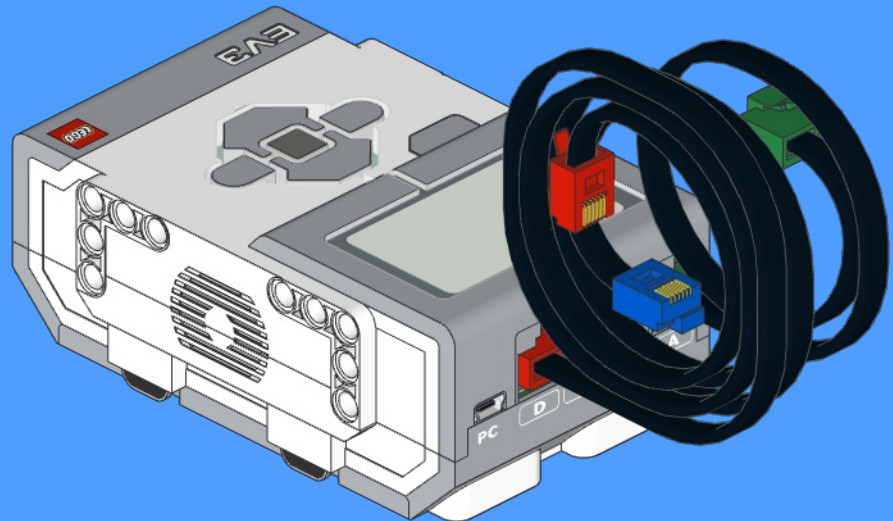
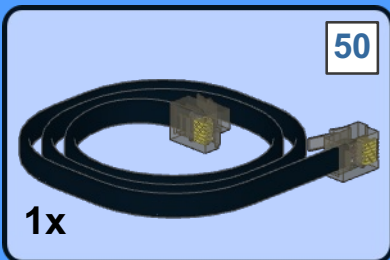
1

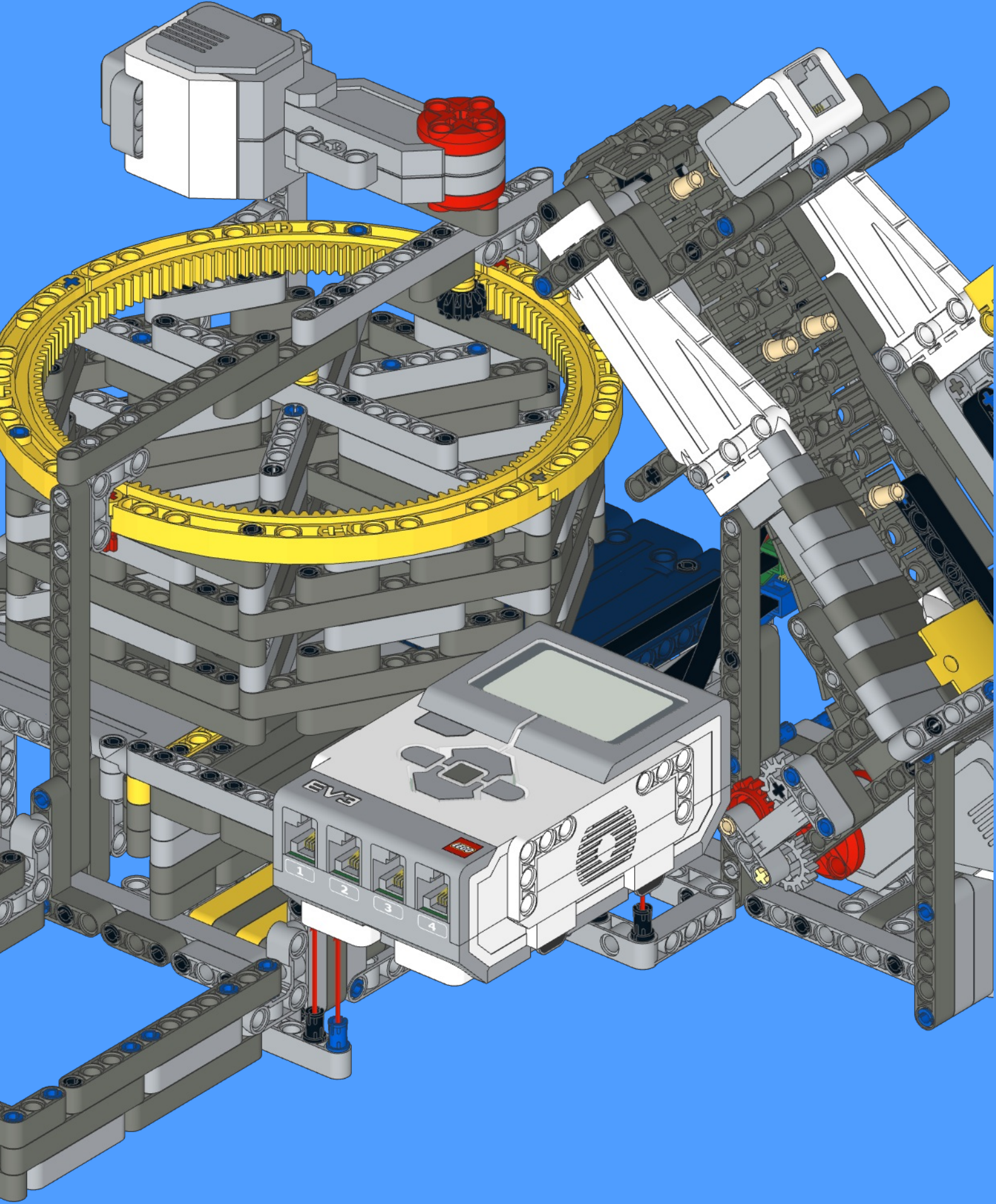


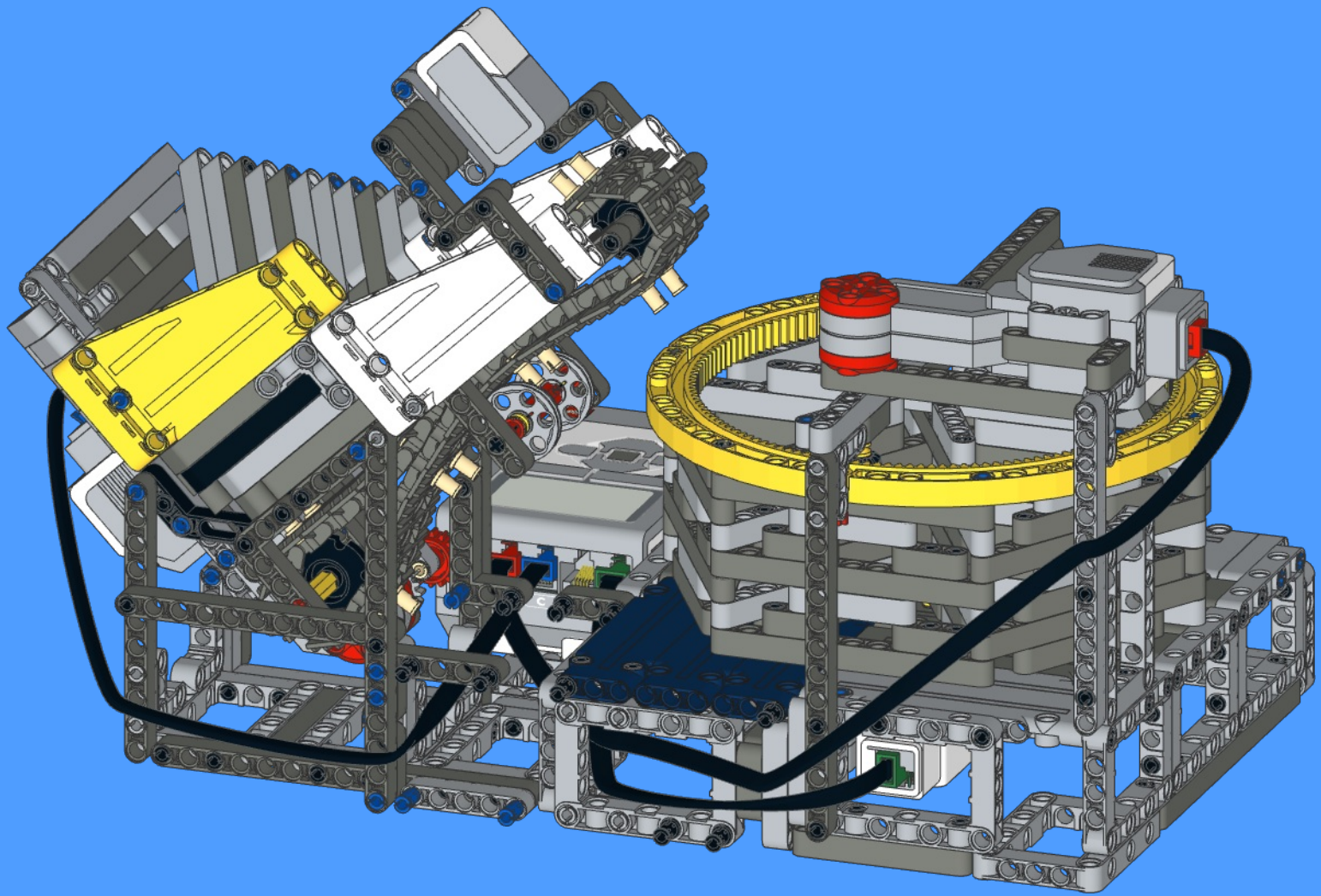
2



3







10

7

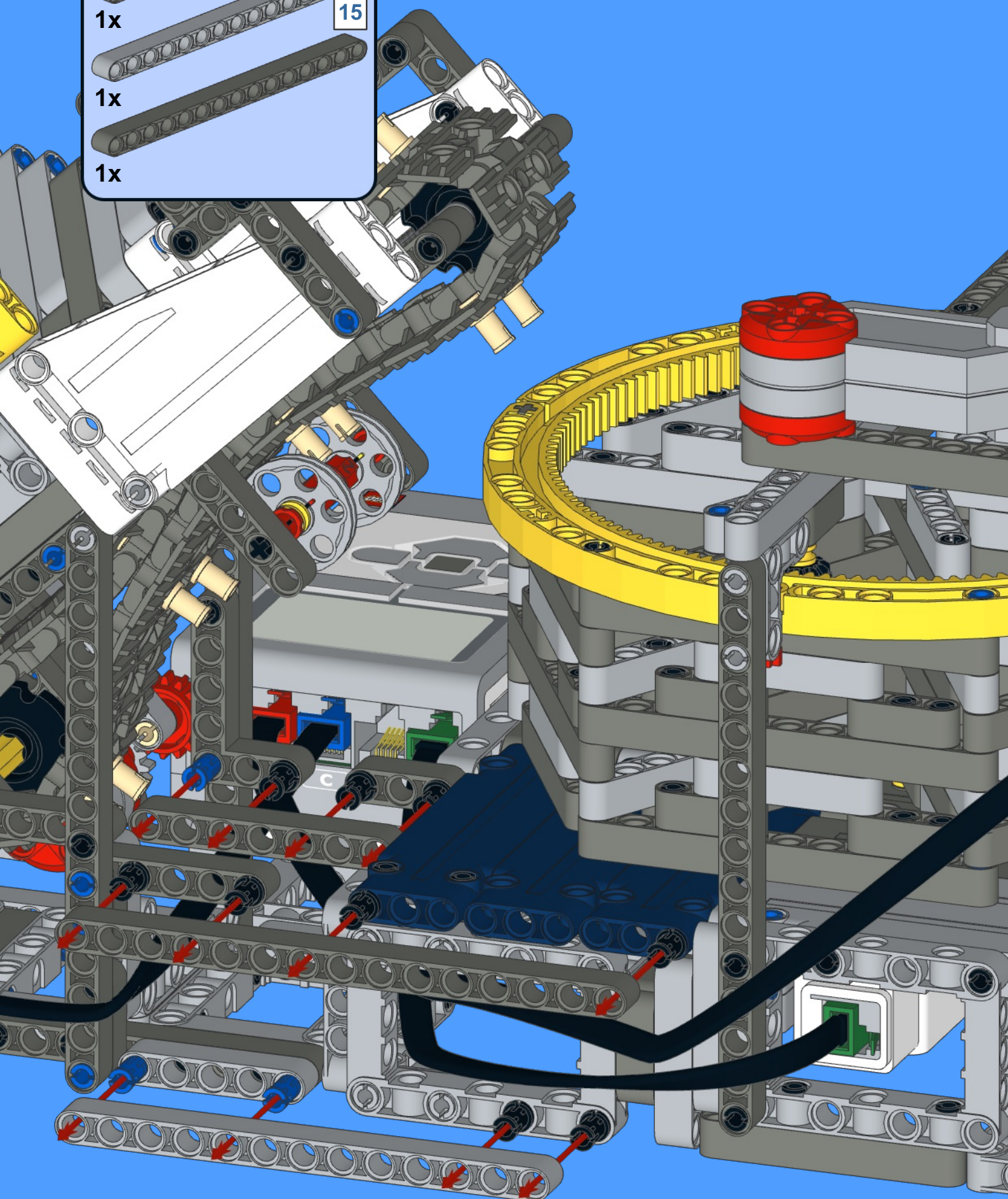
13

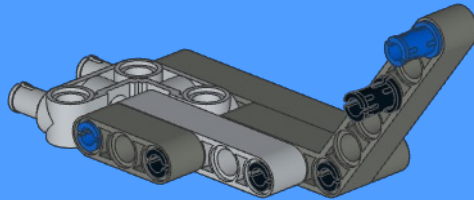
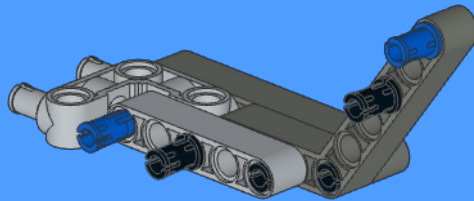
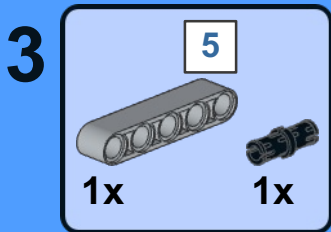
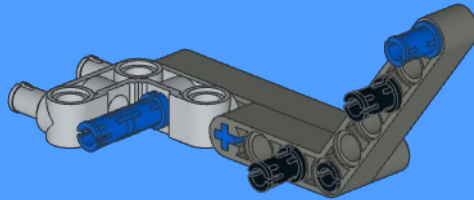
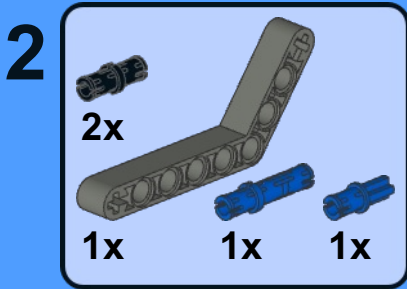
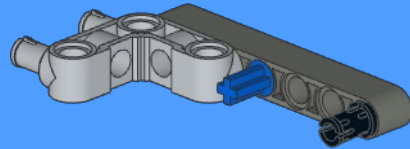
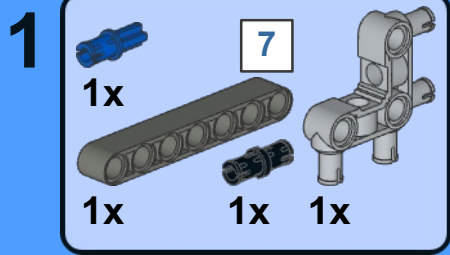
15

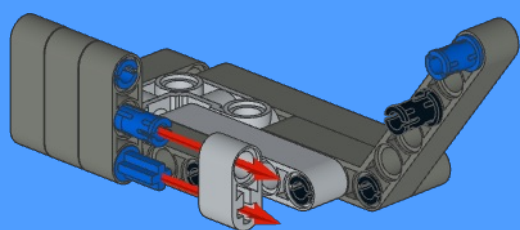
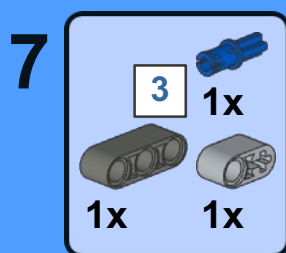
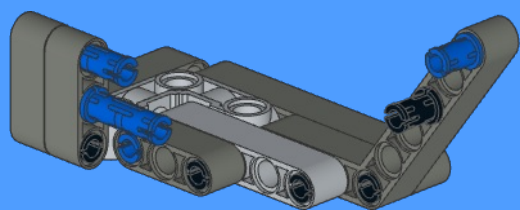
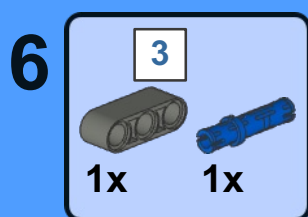
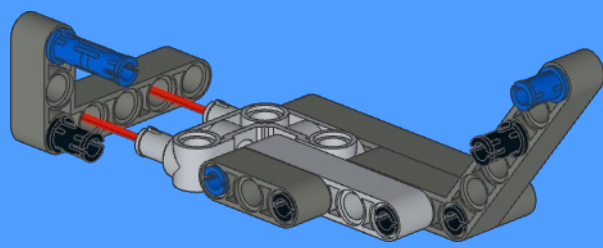
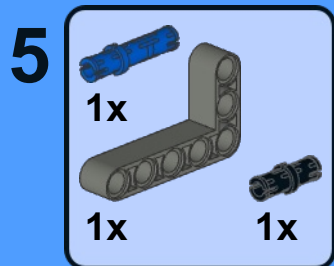
1x

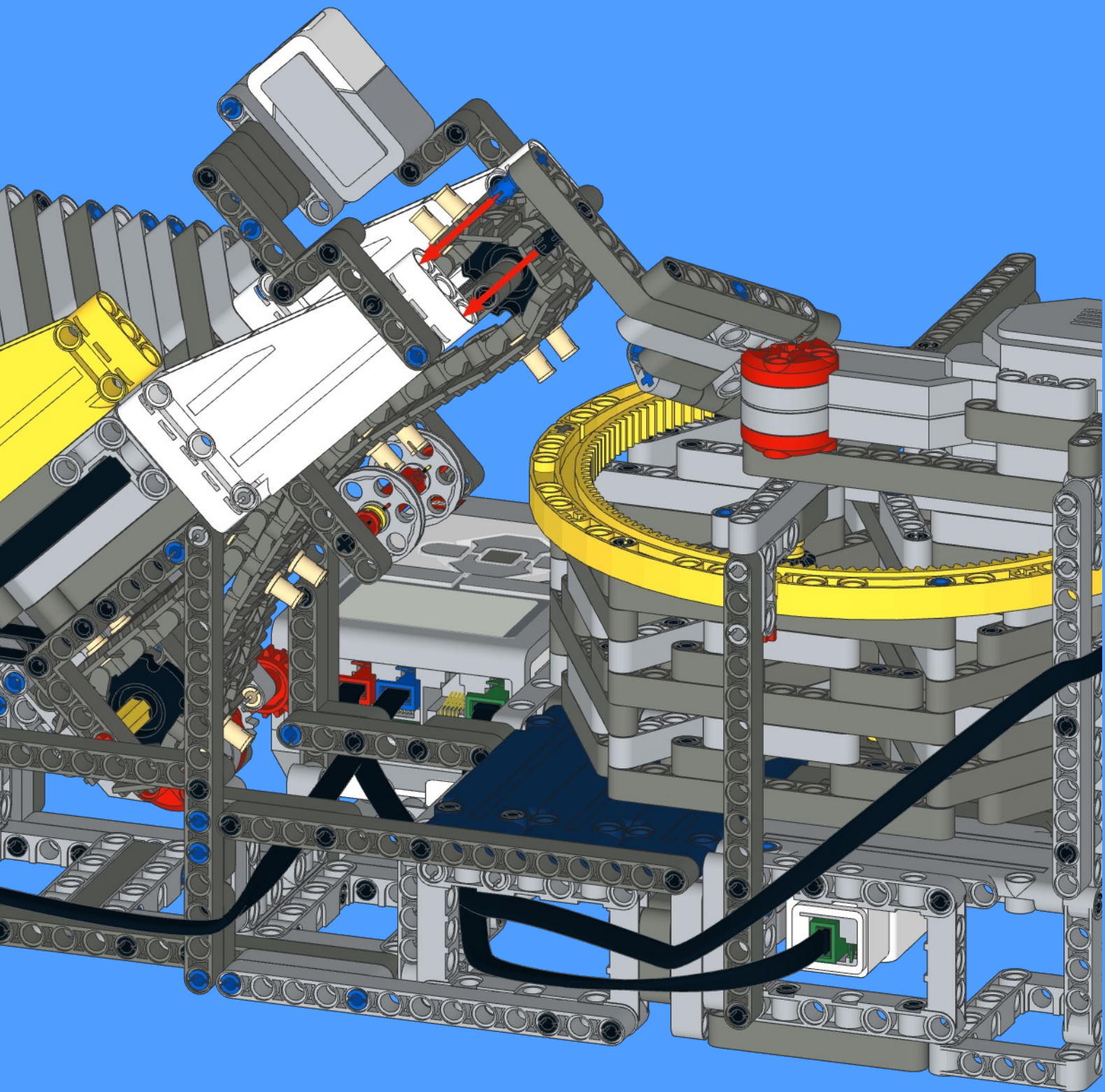
1x

1x

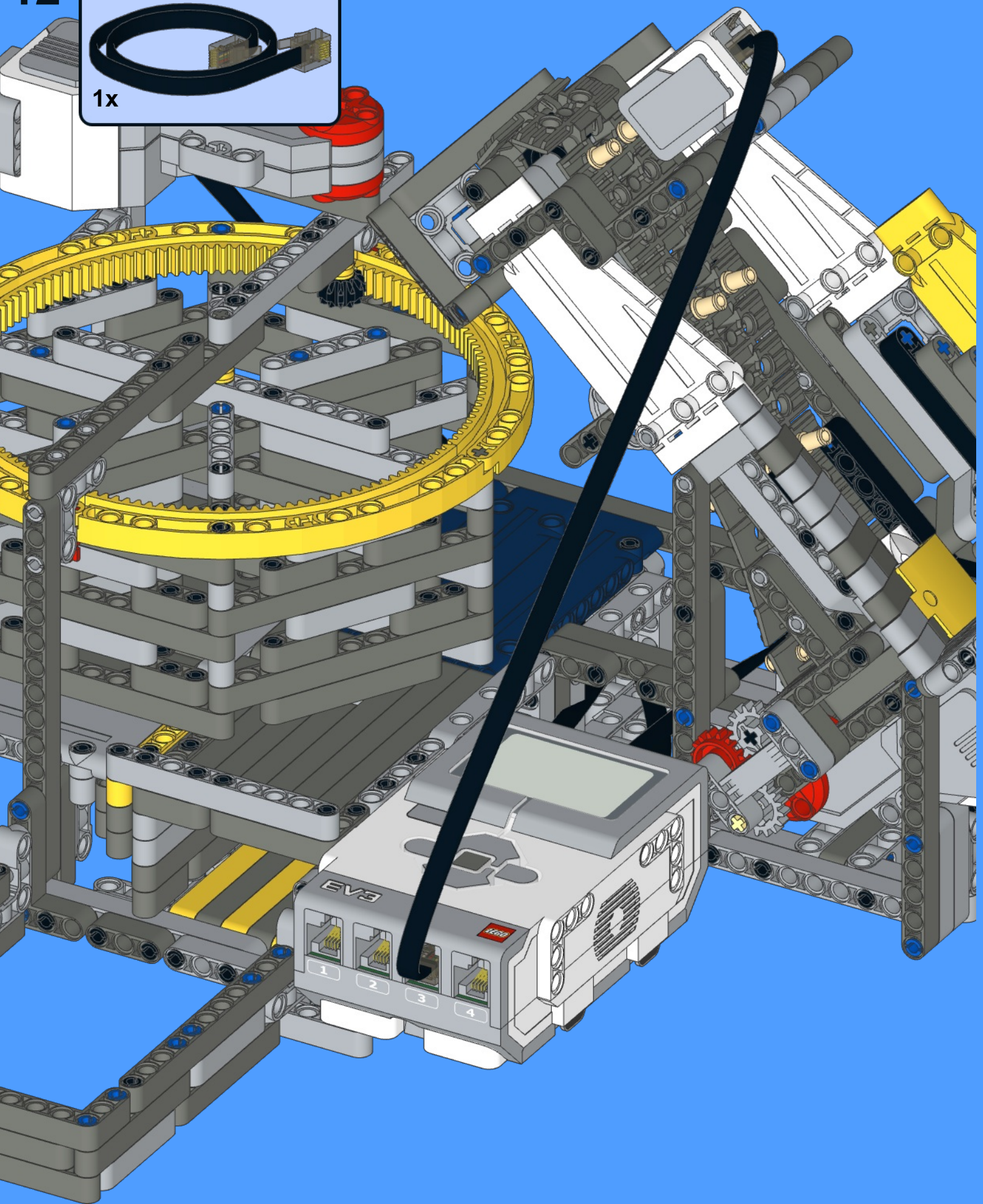
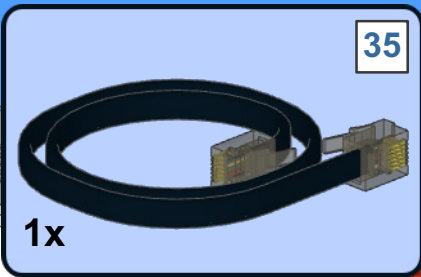


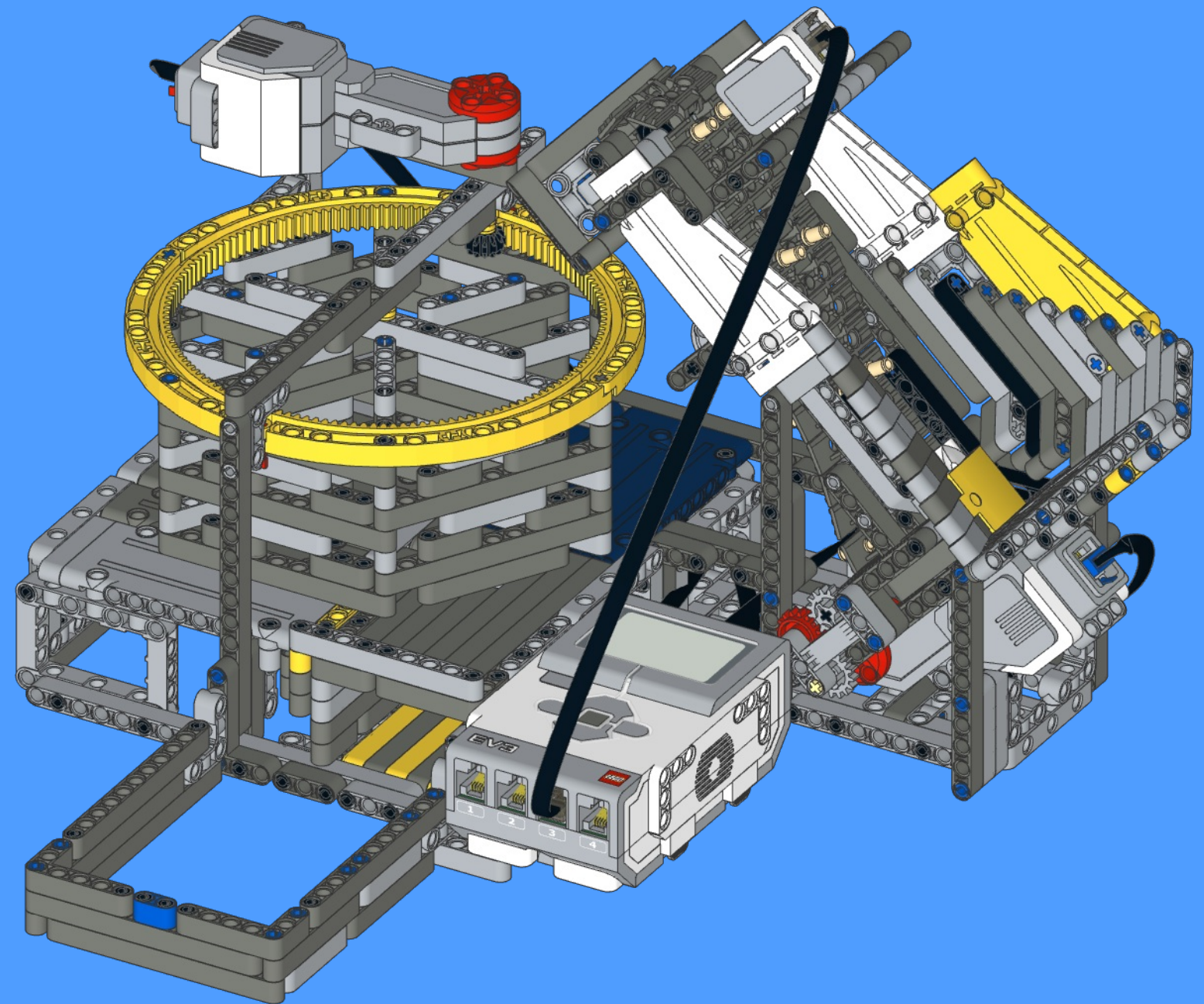


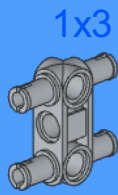




12

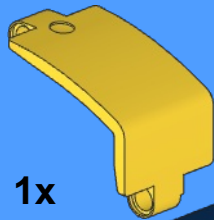






1x3

4x 4x5x3



1x

3x

4x

2x

1x

2x

2x

25.4



2x



1x

12



3x

16



2x

16



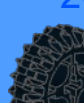
1x

20



1x

20



2x

2x 2



1x



32x

1x2



1x

1x3

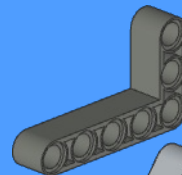


3x

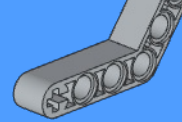
1x3



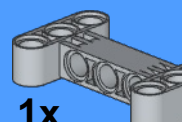
1x



28x



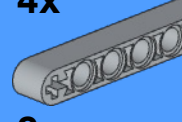
1x



1x



4x



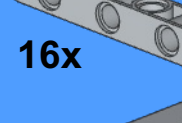
2x



1x



23x



16x



7x



5x



4x



12

1x

7

9

13

1



2x

2



3x

2



2x

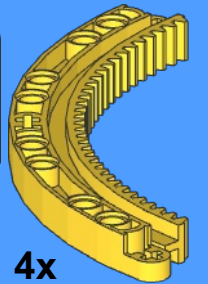
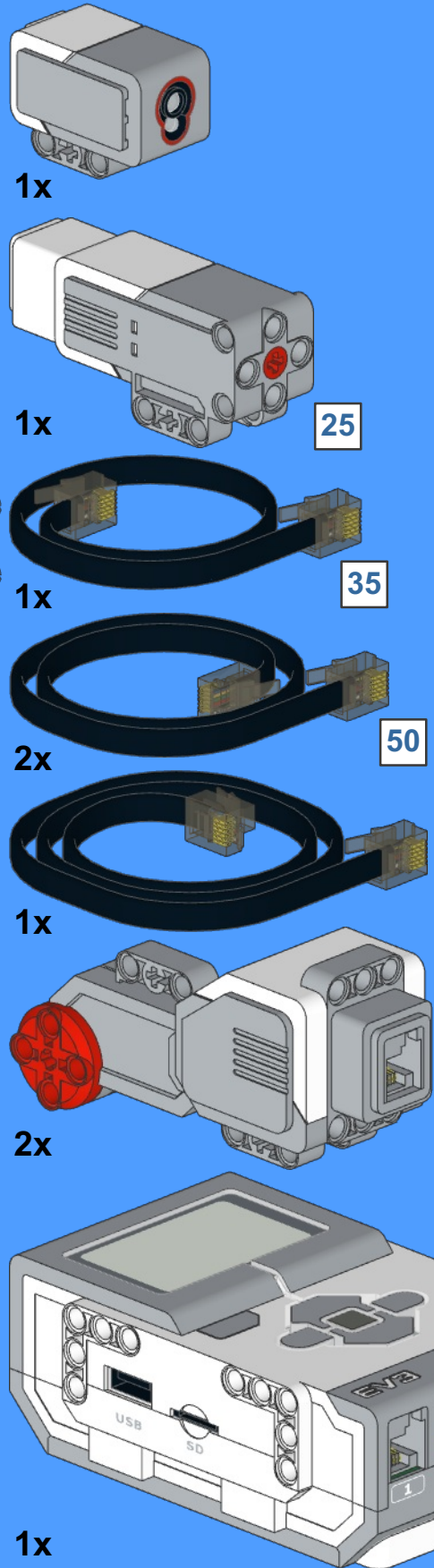
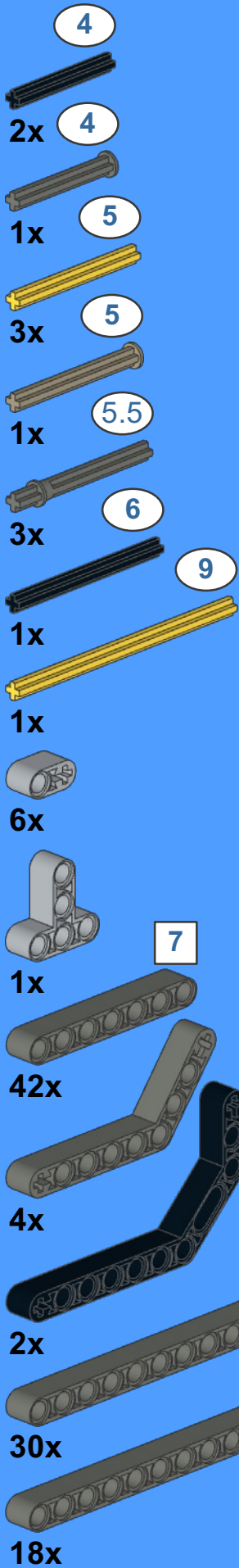



3x

5



59x





Model, building instructions, and this document: © 2017-2019 Kai van Lopik Some Rights Reserved. This document may be distributed for no charge in its unaltered form for personal or educational use. All other rights reserved.

LEGO® and Mindstorms® are registered trademarks of the LEGO Group, which does not sponsor, endorse, or authorize these instructions or the model they depict.

M&M'S® is a registered trademark of Mars, Incorporated, which does not sponsor, endorse, or authorize these instructions or the model they depict.

This is version 1.0 of this document. Find the latest version and more resources on bierkai.nl